



German Engineering

# PRICE LIST 2025

SPRAY GUNS

CUP SYSTEMS

BREATHING PROTECTION

FILTER TECHNOLOGY

ADDITIONAL PRODUCTS

MERCHANDISING ITEMS



## Table of Contents

<b>Spray Guns</b>	<b>3</b>	SATA agitator cup .....	106
jet X .....	14	SATA BVD .....	108
adam X pro / adam X .....	18	<b>Breathing Protection</b>	<b>110</b>
SATAjet X 5500 PHASER .....	22	SATA air vision 5000 .....	114
SATAjet X 5500 .....	24	SATA vision 2000 .....	118
SATAjet X 5500 Clear Coat Edition .....	28	SATA air star C .....	120
SATAminijet 4400 B .....	30	Accessories for SATA vision 2000/ SATA air star C .....	122
SATAjet 100 B .....	34	air star F 2.0 .....	124
SATAjet 1000 B .....	36	SATA air star F .....	126
Extensions for SATAjet 1000 B RP .....	40	<b>Filter Technology</b>	<b>128</b>
SATAjet 1000 B Lignum 3 .....	42	SATA filter 584/564/544/524 .....	130
SATA spray master RP .....	44	SATA filter 564/524 .....	133
SATAjet 3000 K .....	46	SATA filter 103 prep/101 prep/100 prep .....	134
SATAjet 1000 K .....	48	Accessories for SATA filter series .....	136
Extensions for SATAjet 1000 K RP .....	51	SATA filter 484/474/444 .....	138
SATAminijet 1000 K .....	52	SATA filter 464/434/ 424/414 .....	139
Material and air connection SATAjet 3000 K, 1000 K .....	54	<b>Additional products</b>	<b>140</b>
Material and air connection SATAminijet 1000 K ...	55	SATA mini Set 2 .....	144
SATAjet K 1800 spray mix .....	56	SATA material pressure tank 10 .....	146
SATAjet 1000 H .....	58	SATA material pressure tank 22 .....	148
SATAjet H .....	60	SATA material pressure tank 45 .....	150
SATAjet 20 B .....	62	SATA vario top spray .....	152
SATAglyph 4 .....	64	Material fine pressure regulator .....	155
SATA adam 2 .....	66	Rustproofing equipment .....	156
SATA QMR, Quick Material Regulator .....	68	SATA clean RCS .....	160
Spray gun cases .....	70	SATA clean RCS compact / micro .....	162
Accessories for spray guns .....	72	SATA multi clean 2 .....	163
Cleaning and Maintenance of Spray Guns .....	74	SATA trueSun .....	164
Spare parts for SATA spray guns with gravity flow cup .....	76	SATA dry jet 2 .....	166
Nozzle sets and spare parts of discontinued gun models .....	80	SATA hoses .....	168
SATAjet X 5500 FUTURE .....	83	Paint suits .....	170
SATAjet 5000 B PHASER .....	84	<b>Merchandising items</b>	<b>172</b>
SATAjet 5000 B .....	85	Merchandising items .....	173
SATAjet 4000 B .....	87		
SATAminijet 3000 B HVLP .....	88		
SATAjet B / SATAjet GR .....	89		
<b>Cup Systems</b>	<b>90</b>		
RPS - the Original .....	92		
LCS - the Liner .....	96		
Accessories for RPS .....	100		
Gravity flow cup for spray guns .....	102		
RPS / LCS adapter for spray guns .....	104		

# General Information

## Technical Information

As most end-users use quick couplings, SATA spray guns are generally supplied with air inlet 1/4" male thread.

## Terms of Delivery

All indicated prices are ex works. They exclude packaging, freight, shipment and insurance cost. The general terms and conditions of delivery and payment apply exclusively. They can be viewed at [www.sata.com/LZB](http://www.sata.com/LZB). We object to any other purchasing conditions.

## Prices

All prices in this list are recommended prices only and will be valid for the indicated period of time. All prices are quoted exclusive of VAT. We reserve the right to change prices at any time and without prior notification.

## Small Order Policy

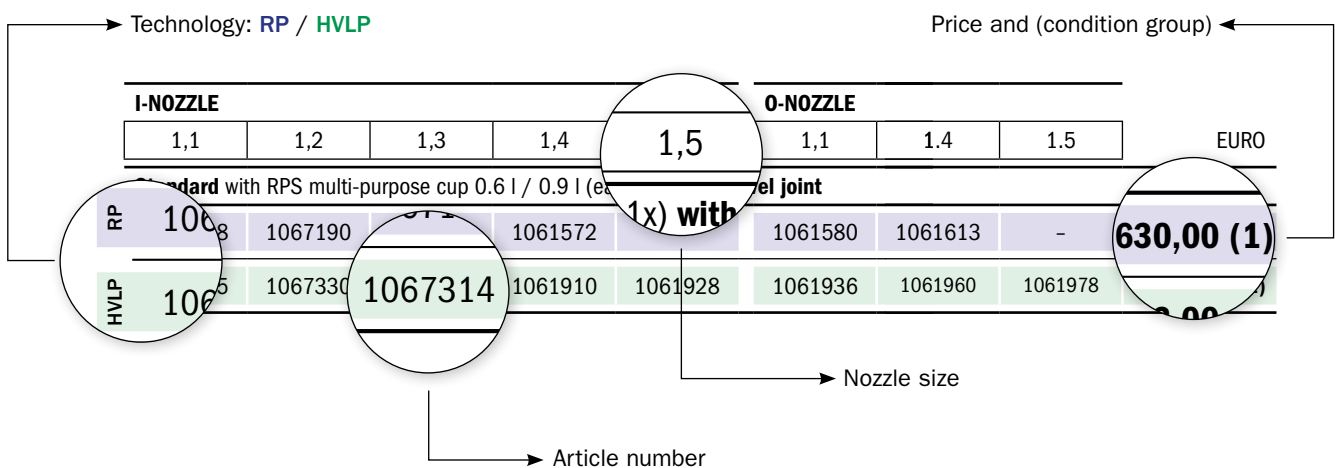
Small orders below a value agreed with the customer (list prices excl. VAT) will be invoiced at gross list prices without discount. In case that nothing has been stipulated with the customer, a minimum order value of 2.500.00 € applies.

## Exchange/Return

We only accept return and exchange of products upon prior written authorisation by SATA. Goods for refund must be returned in unused, pristine condition and in their original packaging. Outdated, used or damaged parts will not be accepted for return. For the return of products which have been incorrectly ordered, or for other reasons which we cannot be held responsible for, a charge of 20 % of the net purchase price will be levied to cover inspection and administrative costs. A handling charge of minimum 60.00 € will apply in any case for each transaction.

**Errors, technical modifications and printing errors reserved.**

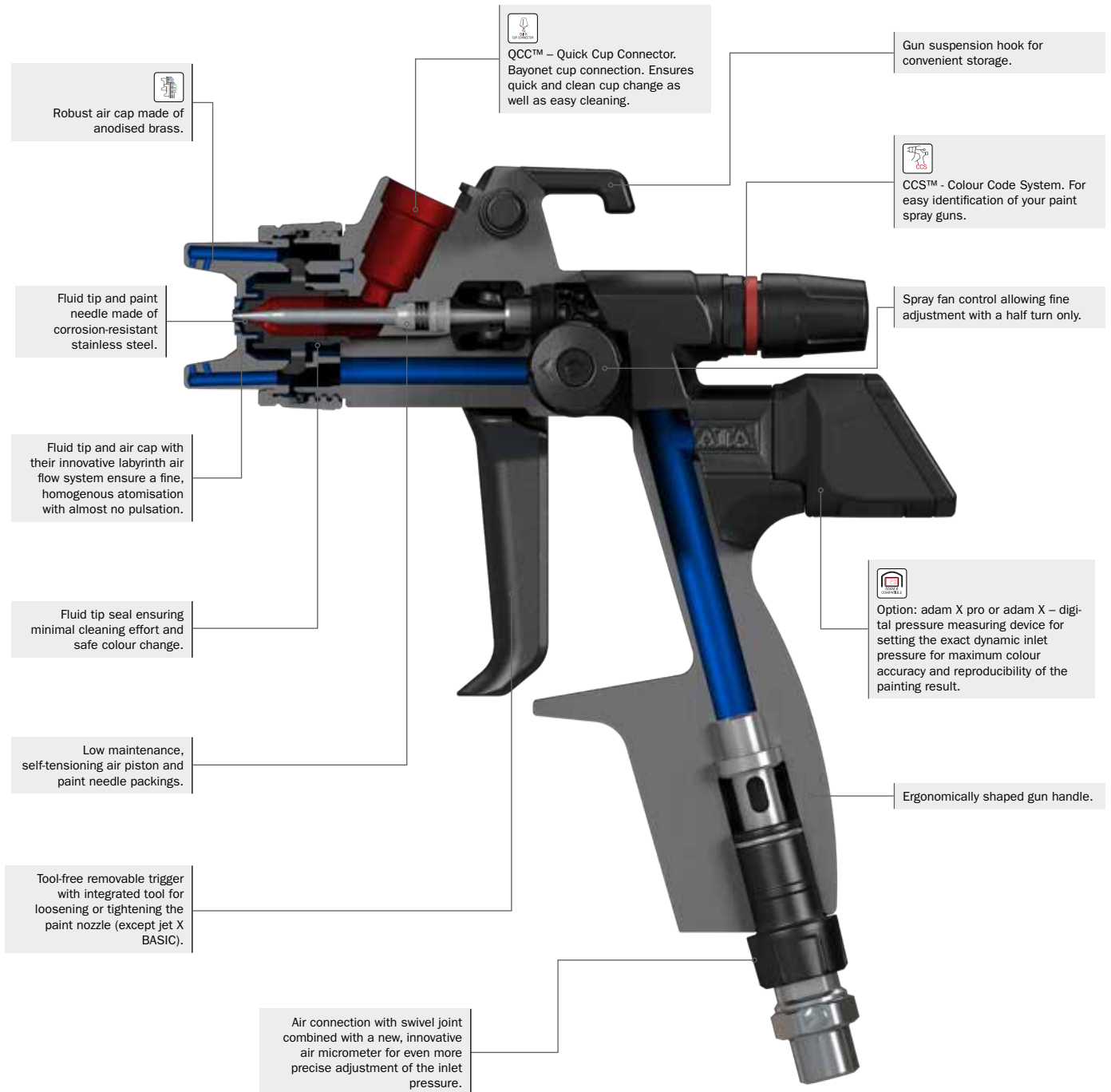
## Structure of the Price Sheets



## Product classification in condition groups (CG)

- (0) Special items
- (1) Spray guns, filtration technology, blow guns and underbody protection spray guns
- (2) Breathing Protection
- (3) Components, accessories and spare parts for articles belonging to group CG 1, e.g. nozzle sets, gravity flow cups, etc
- (4) Components, accessories and spare parts for articles belonging to groups CG 2 and CG 5
- (5) Pumps, pressure pots, rustproofing equipment, automatic spray guns, dry-blowing systems, cleaning devices and dispensing systems
- (6) Other devices, service
- (7) Industrial equipment
- (8) RPS / LCS cup systems






# Spray Guns jet X



**Warranty:** Talking quality is not enough – we guarantee it: for three years with registration!



Spray Guns	Product description	Product advantages
 <p><b>jet X</b> 14</p>	<p>The innovative labyrinth airflow system guides the air in the nozzle so that it exits free of turbulence and pulsation - the result is exceptionally fine and homogeneous atomisation. The optimised material distribution and the even spray pattern with clearly defined fade-out zones result in a controlled and immediate painting feel. The jet X is the new reference in the premium class.</p>	<ul style="list-style-type: none"> <li>• Innovative labyrinth airflow system for outstanding atomisation</li> <li>• Uniform spray pattern with clearly defined fade-out zones</li> <li>• Two jet shapes: “O” (Speed) and “I” (Control) with constant fan dimensions for all nozzle sizes</li> <li>• Available in the following versions: DIGITAL ready, DIGITAL and DIGITAL pro</li> <li>• jet X DIGITAL pro: Display of inlet pressure, operating time and ambient temperature; adjustable target value for the inlet pressure with alarm function; digital dashboard; easy change from bar to psi and from °C to °F and much more</li> </ul>
 <p><b>adam X pro / adam X</b> 18</p>	<p>The digital unit with the widest range of functions. Together with the jet X DIGITAL ready, the adam X pro supports the painting professional in standardising and reproducing work results at the highest level. It helps avoid painting defects such as uneven material distribution and cloud formation. Operation is based on an innovative operating concept: the various functions are selected by double-tapping the side of the housing or by tilting the gun.</p>	<ul style="list-style-type: none"> <li>• Display of actual and target pressure; can be switched from bar to psi</li> <li>• Display of any deviations in a graphical visualisation with alarm function</li> <li>• Ambient temperature indicator; can be switched from °C to °F</li> <li>• Display of operating hours, painting time and number of trigger pulls</li> <li>• Transfer of data to a digital dashboard</li> </ul>
 <p><b>SATAjet X 5500 PHASER</b> 22</p>	<p>The PHASER spray gun was developed with its outstanding design, materials and an unique concept for your very special projects. Technically the PHASER is identical to the SATAjet X 5500. It has the same nozzle concept and all the other convincing features that make the SATAjet X 5500 an outstanding spray gun.</p>	<ul style="list-style-type: none"> <li>• Unique design – combined with high-quality materials and detailed solutions</li> <li>• Revolutionary, economical, quiet, consistent – technically identical to the SATAjet X 5500</li> </ul>
 <p><b>SATAjet X 5500</b> 24</p>	<p>The SATAjet X 5500 is the SATA paint spray gun for highest demands. With the X nozzle system, painters are able to cope with all paint systems and application recommendations. In addition, the whispering nozzle significantly reduces noise and gives bodyshops a more pleasant painting experience.</p>	<ul style="list-style-type: none"> <li>• Noticeably quieter: Whispering nozzle due to optimised flow geometry</li> <li>• Precise: Optimised material distribution for enhanced spraying uniformity and atomisation with both spray fan shapes</li> <li>• Low maintenance: No air distribution insert required</li> <li>• Consistent: Constant fan size across the entire nozzle spectrum with regular increases of the material flow rate</li> <li>• Efficient: Considerable material savings with the same application method</li> </ul>
 <p><b>SATAjet X 5500 Clear Coat Edition</b> 28</p>	<p>The SATAjet X 5500 RP 1.3cc is featured with a specifically developed nozzle set for clear coat application. The optimised material distribution in combination with a finer atomisation enables a closed wetting even at low layer thicknesses.</p>	<ul style="list-style-type: none"> <li>• Special clear coat nozzle based on proven I-nozzle technology</li> <li>• Fine, homogeneous atomisation for perfect clearcoat application</li> <li>• Full surface wetting even with thin material layers</li> <li>• I-nozzle jet geometry allows controlled application</li> </ul>

Spray Guns	Product description	Product advantages
 <p><b>SATAminijet 4400 B</b> 30</p>	<p>The SATAminijet 4400 B is perfectly suited for areas that are small or difficult to access. The special SR nozzles are suitable for small repairs (spot repair) on vehicles. All modern paint systems can be applied with this spray gun.</p>	<ul style="list-style-type: none"> <li>• Small and compact: Particularly suitable for smaller areas or hard to reach places</li> <li>• Special spot repair nozzle sets for minor damage repairs to vehicles</li> <li>• Low maintenance, self-adjusting air piston and paint needle packings</li> </ul>
 <p><b>SATAjet 100 B</b> 34</p>	<p>The SATAjet 100 B can be used for a wide range of applications in the car refinishing market due to its flexibility in setting the atomisation pressure. Due to the wide spray fan and fine atomisation, fillers and primers can be applied in a continuous flow even with the higher material viscosity. This saves valuable working time due to less sanding effort.</p>	<ul style="list-style-type: none"> <li>• Fine atomisation even at low inlet pressure</li> <li>• Low overspray</li> <li>• Pressure adjustment from 0.5 – 2.0 bar is possible</li> <li>• Smoothly polished, ergonomically optimised gun body</li> <li>• QCC- cup connection</li> <li>• Self-adjusting sealings</li> </ul>
 <p><b>SATAjet 1000 B</b> 36</p>	<p>The SATAjet 1000 B gravity fed spray gun has been specifically developed for the LIC/Industrial/wood coatings markets. Thanks to the very wide range of nozzle set sizes, extensions and the possibility to equip with both a pressurized gravity cup or a gravity cup with a pneumatic stirrer almost all available coatings can be sprayed from low-viscosity wood stains and clearcoats to glues and other thixotropic materials.</p>	<ul style="list-style-type: none"> <li>• Allrounder: Thanks to a wide range of nozzles and diverse accessories, a wide variety of materials can be processed excellently</li> <li>• Simplified cleaning: The smooth surface of the spray gun body makes cleaning easier for the user</li> <li>• QC-Quick Change thread: Simple and fast air nozzle change with only 1.5 turns</li> <li>• Also for hard-to-reach areas: Thanks to the available extensions, the SATAjet 1000 B can handle hard-to-reach or narrow and deeper areas without any problem.</li> </ul>
 <p><b>SATAjet 1000 B Lignum 3</b> 42</p>	<p>Wood finishing requires a profound understanding of the different types of wood for a perfect surface texture. On top of that, it requires experience as well as the perfect tool. With the SATAjet 1000 B Lignum 3, the carpenter has the best tool to give his workpiece the final touch and to achieve a perfect finish.</p>	<ul style="list-style-type: none"> <li>• Suitable for the application of various materials – waterborne or solvent-based</li> <li>• Sturdy, easy clean surface</li> <li>• Special nozzle sets for the application of different materials, such as adhesives, textured paints, etc.</li> <li>• The use of extensions from 20 – 300 cm with different spray angles is possible for special applications</li> </ul>
 <p><b>SATA spray master RP</b> 44</p>	<p>The SATA spray master RP combines trend-setting, low overspray high pressure technology with the advantageous properties of a material pressure supported spray gun. With this unique combination, almost all paint systems of different viscosities up to thick-film glazes can be processed with excellent painting results.</p>	<ul style="list-style-type: none"> <li>• Allround talent: With the pressurised cup and the wide horn nozzle set, practically any material can be perfectly processed in carpentry and painting.</li> <li>• Fine atomisation: the optimised internal nozzle pressure ensures perfect results</li> <li>• High efficiency: the transfer rates are significantly higher than the 65% required by the VOC legislation</li> <li>• Low air consumption - therefore also suitable for small compressors</li> <li>• With the nozzle size "SM" (approx. 1.3) this gun can be used for almost any spray material - only the pressure in the cup has to be adjusted according to the viscosity.</li> </ul>

SPRAY GUNS

CUP SYSTEMS

BREATHING PROTECTION





FILTER TECHNOLOGY

ADDITIONAL PRODUCTS

MERCHANDISING ITEMS

Spray Guns	Product description	Product advantages
 <p><b>SATAjet 3000 K</b> 46</p>	<p>With this high-performance paint spray gun designed for use with remote tanks or pump systems you can achieve high-quality paint jobs on large surfaces. The stretched spray fan with finest material atomization results in a perfect surface quality with homogeneous paint flow. The robustness, the low maintenance requirements and the ergonomic balance of the SATAjet 3000 K are ideal prerequisites for continuous use in industry and trade.</p>	<ul style="list-style-type: none"> <li>• Processing of all paint systems with sprayable viscosity</li> <li>• All material passages are made of stainless steel and are therefore corrosion-resistant</li> <li>• Extremely robust spray gun model with axial round/flat spray control</li> <li>• Ergonomically balanced, easy handling of the control elements</li> </ul>
 <p><b>SATAjet 1000 K</b> 48</p>	<p>The compact and lightweight SATAjet 1000 K is the all-rounder among spray guns with material supply from pressure tanks or via double diaphragm pumps. Thanks to the wide range of nozzles, a wide variety of materials such as low-viscosity wood stains, clear coats, textured coats and glazes as well as adhesives and other high-viscosity materials can be excellently processed with this gun.</p>	<ul style="list-style-type: none"> <li>• Can be used for processing a wide variety of materials – water or solvent-based</li> <li>• Comfortable, ergonomically well balanced control elements, such as material flow control, the thumb-adjustable round/flat spray control and integrated air micrometer</li> <li>• QC thread for easy and quick air nozzle change with only 1.5 turns</li> <li>• Special air guides on the horns of the air cap prevent deposits caused by overspray</li> <li>• With extensions in various designs, even hard-to-reach areas can be coated perfectly</li> </ul>
 <p><b>SATAminijet 1000 K</b> 52</p>	<p>The SATAminijet 1000 K series has been specifically developed for the industrial coating of small to medium sized lots of small parts under series conditions. This includes, for example, the industrial series coating of small panels and housings, the application of release agents and interior design.</p>	<ul style="list-style-type: none"> <li>• Ergonomic and compact spray gun for small surfaces or areas of difficult access</li> <li>• QC thread for a quick air nozzle change with only 2 turns</li> <li>• Sturdy, easy clean surface</li> </ul>
 <p><b>SATAjet K 1800 spray mix</b> 56</p>	<p>SATA introduced the new SATAjet K 1800 spray mix, an innovative new product in the field of ultra-high pressure coating. The new lightweight gun in this spray gun class with its well-balanced gun body combines an optimised ergonomic design with a finely-tuned nozzle range and with the innovative clampLock paint needle system.</p>	<ul style="list-style-type: none"> <li>• Ergonomic design with a well-balanced gun body</li> <li>• Low spray gun weight</li> <li>• Single-axis trigger system for low trigger forces and fatigue-free working</li> <li>• Innovative, two-part clampLock paint needle system</li> <li>• Material connection system for gap or inline filter</li> <li>• Material connection 1/4" - 18 NPSM (male thread) / air connection 1/4" (male thread)</li> </ul>
 <p><b>SATAjet 1000 H</b> 58</p>	<p>The SATAjet 1000 H RP is the all-round spray gun for craft and industry in the suction cup version.</p>	<ul style="list-style-type: none"> <li>• With 1 litre aluminum suction cup</li> <li>• Suitable for processing solvent-based materials</li> <li>• QC thread for easy and quick air nozzle change with only 1.5 turns</li> <li>• Easy to clean and corrosion-resistant surface</li> <li>• Robust and very durable</li> </ul>
 <p><b>SATAjet H</b> 60</p>	<p>This robust and easy-to-clean spray gun is ideal for top coats and can be used in both industry and trade.</p>	<ul style="list-style-type: none"> <li>• Fine atomization – on large surfaces</li> <li>• High working speed</li> <li>• Continuous round/oval fan control</li> <li>• Integrated air micrometer</li> <li>• Material flow control</li> </ul>

SPRAY GUNS  
CUP SYSTEMS  
BREATHING PROTECTION  
FILTER TECHNOLOGY  
ADDITIONAL PRODUCTS  
MERCHANDISING ITEMS

Spray Guns	Product description	Product advantages
 <p><b>SATAjet 20 B</b> 62</p>	<p>The SATAjet 20 B has been designed for use in all areas of creative painting: For all kinds of artbrush applications including graphic design, automotive custom painting, model making, artwork and calligraphy – the results are simply outstanding.</p>	<ul style="list-style-type: none"> <li>• Design spray gun with round spray nozzle</li> <li>• Ideal for right- and left-handed painters</li> <li>• Familiar handling due to spray-gun-like design</li> <li>• Material and air flow control</li> <li>• No tools required to change air connection - works well on horizontal as well as on vertical surfaces</li> <li>• Wide range of nozzle sizes for versatile use</li> <li>• Suitable for water and solvent-based paints</li> </ul>
 <p><b>SATAgraph 4</b> 64</p>	<p>The SATA airbrush gun: The SATAgraph 4 is particularly suitable for drawing fine dots as well as filigree lines and contours. It is available in different versions, versatile and easy to use.</p>	<ul style="list-style-type: none"> <li>• Coupled air and material adjustment for safe spray control</li> <li>• Removable needle cap to allow drawing finest lines</li> <li>• Highest precision in various fields of application</li> <li>• Easy handling for fatigue-free work</li> </ul>
 <p><b>SATA adam 2</b> 66</p>	<p>The accurate and correct setting of the gun inlet pressure is one of the key requirements to ensure perfect colour matching during the painting process. Whether the pressure is set too low or too high, colour deviations will be the undesired result. The consequences are unnecessary rework disrupting the efficient work flow in bodyshops and substantially higher repair costs. "Incorrect dynamic inlet pressure" can be prevented by using SATA digital spray guns or the accessories SATA adam 2 and SATA adam 2 U. The display can be removed from the spray gun in no time at all; for example to use it on another spray gun with premounted "dock". This makes the SATA adam 2 highly flexible. The display screen always remains in the horizontal centre position ensuring readability of the pressure at all times.</p>	<ul style="list-style-type: none"> <li>• For retrofitting - turns any standard spray gun into a "digital" one</li> <li>• Precise setting and display of the inlet pressure - ensures perfect colour shade reproducibility</li> <li>• The display can be used on several SATA spray guns. SATA adam 2 U also fits on spray guns of other manufacturers - thus, your entire spray gun inventory can be "digitised" cost-efficiently</li> <li>• Extended battery lifetime, easy battery exchange</li> <li>• Display can be attached and removed in no time at all</li> </ul>
 <p><b>SATA QMR, Quick Material Regulator</b> 68</p>	<p>The SATA QUICK MATERIAL REGULATOR is mounted on the gun instead of the material quantity regulator. It enables a presetting of a reduced material discharge quantity which can be activated quickly, precisely and reproducibly at the push of a button. The SATA QMR can be retrofitted easily and cost-effectively.</p>	<ul style="list-style-type: none"> <li>• The position of the material quantity regulation and consequently the material flow rate can be adjusted at the push of a button</li> <li>• Helps the user set the required material flow rate quickly and in reproducible fashion</li> <li>• Retrofitting, maintenance-free and easy to operate</li> <li>• Suitable for application processes which require specific, reduced material flow rates on a regular basis</li> <li>• Release function: Simply by pulling, the material flow regulation is being fully released again</li> </ul>



1:01  
LOT NO.

1.00 X 1.00  
1.00 X 1.00

BATA

BATA





## Works for you.

Creating a flawless paint finish is a demanding task. It requires skill, experience and a great deal of dedication. It is a job for professionals. With the jet X, we have designed the ideal tool for the job. A paint spray gun that helps you achieve the highest quality – and makes it easier than ever before. A piece of equipment into which all our experience as well as the feedback of the painters have been incorporated. The paint spray gun that works for you.

### It has never been so easy to achieve such good results.

The nozzle concept of the jet X is based on the innovative labyrinth airflow system. It guides the air in the nozzle in such a way that it exits each orifice at exactly the same pressure and free of turbulence and pulsation. This enables us to achieve exceptionally fine and homogeneous atomisation - and a new level of surface quality, both for HVLP and RP technology.

The spray pattern remains absolutely uniform over its entire height. It has clearly defined fade-out zones and is easy to handle - for a controlled and immediate application feel.

### The secret is in the nozzle.

The jet X nozzles are available in two fan shapes:

The “I”, or “Control”, nozzles produce a longer spray pattern with an even material distribution. They have a slower application speed but offer maximum control.

The “O”, or “Speed”, nozzles have an oval fan shape with a larger fade-out zone and a wetter core, which results in a higher application speed.

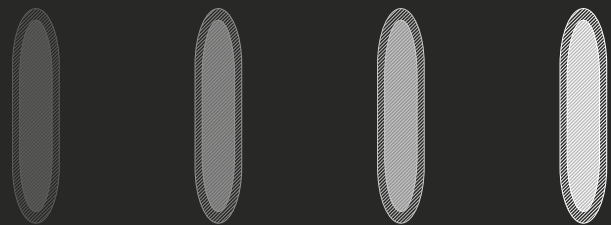
### Balanced - in every respect

The jet X DIGITAL ready is approx. 50 grams lighter than its predecessor, the SATAjet X 5500. The ergonomic gun body sits comfortably in the hand and is balanced so that it does not become top-heavy even with a large filled cup.

### Spray fan shapes

---

I-nozzle "Control" with HVLP/RP



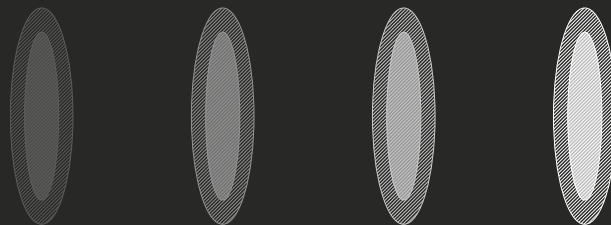
1.1 I

1.2 I

1.3 I

1.4 I

O-nozzle "Speed" with HVLP/RP



1.1 O

1.2 O

1.3 O

1.4 O



## Easy to clean: the detachable trigger

The trigger made of technical polymer can be removed in one easy step - without tools and without snap rings. This makes maintenance easier and cleaning more thorough. Clever additional benefit: the integrated tool can be used to loosen or tighten the fluid tip.

## 3 in 1: the innovative air inlet

The air micrometer for setting the dynamic inlet pressure is located at the air inlet. It allows convenient and precise adjustment of the air pressure. The practical swivel joint is also integrated.

## The different versions of the jet X in comparison

	jet X BASIC*	jet X DIGITAL ready	jet X DIGITAL	jet X DIGITAL pro
01. Innovative labyrinth airflow system	X	X	X	X
02. 2 fan shapes: I-nozzle: Control / O-nozzle: Speed	X	X	X	X
03. Air connection with swivel joint and air micrometer	X	X	X	X
04. Trigger with integrated tool for the fluid tip		X	X	X
05. QAC (Quick Adam Connector)		X	X	X
06. basic configuration		adam X/X pro retrofit	adam X	adam X pro
07. Display of inlet pressure		(1) (2)	X	X
08. Switching between bar/psi		(1) (2)	X	X
09. Setting of target pressure		(2)		X
10. Alarm when ambient temperature falls below 20 degrees and exceeds 30 degrees		(2)		X
11. Operating time indicator		(1) (2)	X	X
12. Ambient temperature indicator		(1) (2)	X	X
13. Switching between °C/°F		(1) (2)	X	X
14. Battery status indicator		(1) (2)	X	X
15. Operating by double-tapping		(1) (2)	X	X
16. Operating by tilting		(2)		X
17. ePaper display		(2)		X
18. Data on operating hours, painting time and number of trigger pulls		(2)		X
19. Uploading important parameters to the digital dashboard		(2)		X

\* Not available in DE, AT, BE, NL, LU, CN  
(2) adam X pro

(1) adam X





# jet X

## RP/HVLP



Technical Data	RP	HVLP
Recommended air inlet pressure	2,0 bar	2,0 bar
Air inlet pressure field of application	0,5 - 2,4 bar	0,5 - 2,4 bar
Recommended spraying distance	17 - 21 cm	10 - 15 cm
Air consumption	335 NI/min	445 NI/min

I-nozzle					
	1,1	1,2	1,3	1,4	EURO
<b>DIGITAL pro</b>					
RP	1200310	1200394	1200477	1201988	984,00 (1)
HVLP	1200039	1200112	1200196	1201946	984,00 (1)
<b>DIGITAL</b>					
RP	1200302	1200386	1200469	1201970	894,00 (1)
HVLP	1200021	1200104	1200188	1201938	894,00 (1)
<b>DIGITAL ready</b>					
RP	1200328	1200401	1200485	1201962	745,00 (1)
HVLP	1200047	1200120	1200203	1200542	745,00 (1)
<b>BASIC</b>					
RP	1200295	1200378	1200451	1201954	646,00 (1)
HVLP	1200013	1200097	1200170	1200534	646,00 (1)
<b>Nozzle set</b>					
RP	1203992	1204015	1204031	1204073	241,00 (3)
HVLP	1204007	1204023	1204065	1204081	241,00 (3)

SPRAY GUNS  
 CUP SYSTEMS  
 BREATHING PROTECTION  
 FILTER TECHNOLOGY  
 ADDITIONAL PRODUCTS  
 MERCHANDISING ITEMS



<b>0-nozzle</b>					
	1,1	1,2	1,3	1,4	EURO

**DIGITAL pro**

RP	1200352	1200435	1200518	1200576	<b>984,00 (1)</b>
HVLP	1200071	1200154	1200237	1200279	<b>984,00 (1)</b>

**DIGITAL**

RP	1200344	1200427	1200500	1200568	<b>894,00 (1)</b>
HVLP	1200063	1200146	1200229	1200261	<b>894,00 (1)</b>

**DIGITAL ready**

RP	1200360	1200443	1200526	1200584	<b>745,00 (1)</b>
HVLP	1200089	1200162	1200245	1200287	<b>745,00 (1)</b>

**BASIC**

RP	1200336	1200419	1200493	1200550	<b>646,00 (1)</b>
HVLP	1200055	1200138	1200211	1200253	<b>646,00 (1)</b>

**Nozzle set**

RP	1203869	1203885	1203900	1203926	<b>241,00 (3)</b>
HVLP	1203877	1203893	1203918	1203984	<b>241,00 (3)</b>

**10X40**

<b>10X40</b>					EURO
--------------	--	--	--	--	------

**DIGITAL pro**

RP	1215583				<b>984,00 (1)</b>
----	---------	--	--	--	-------------------

**DIGITAL**

RP	1215608				<b>894,00 (1)</b>
----	---------	--	--	--	-------------------

**DIGITAL ready**

RP	1215591				<b>745,00 (1)</b>
----	---------	--	--	--	-------------------

**BASIC**

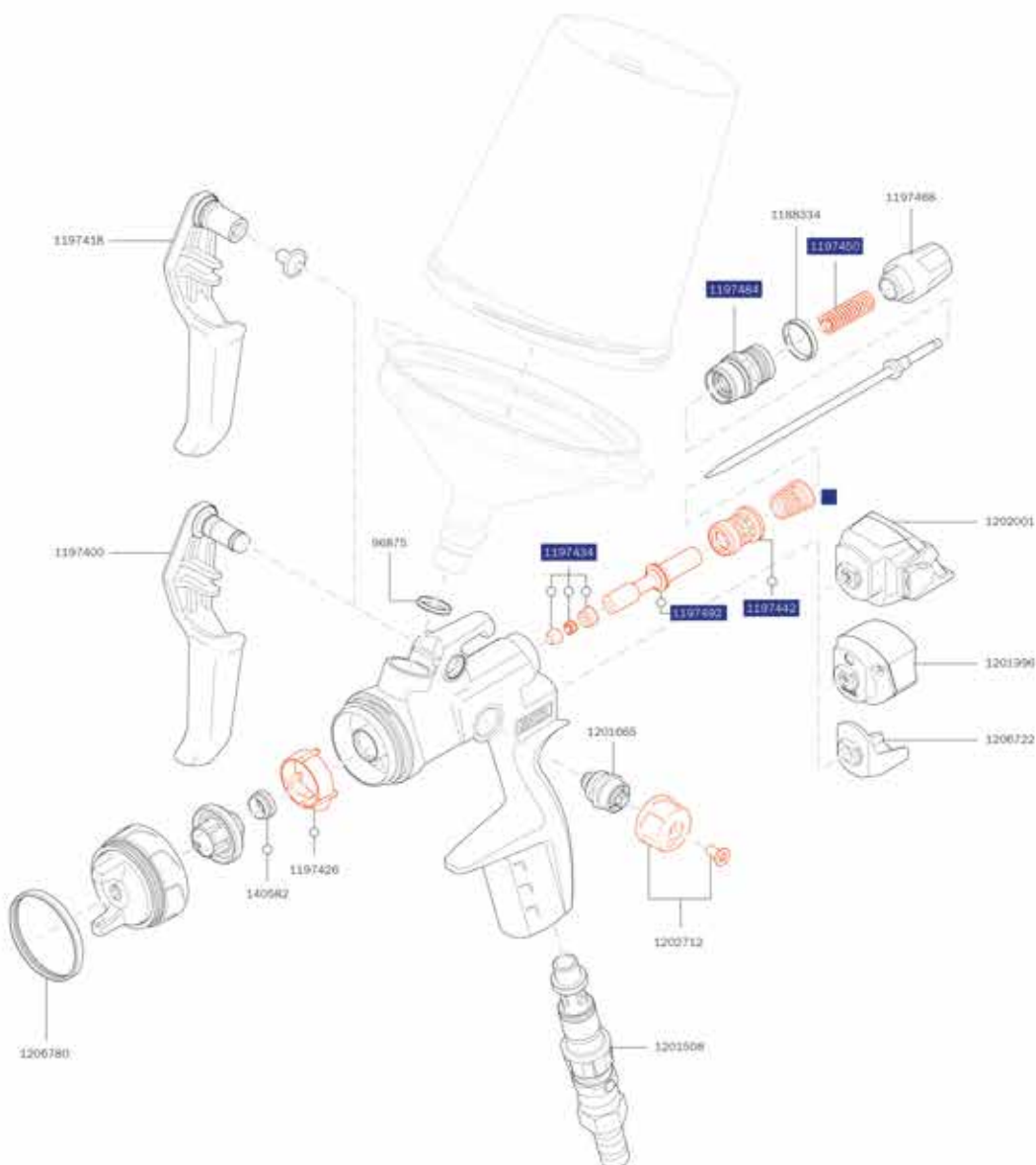
RP	1215616				<b>646,00 (1)</b>
----	---------	--	--	--	-------------------

**Nozzle set**

RP	1215624				<b>241,00 (3)</b>
----	---------	--	--	--	-------------------

Spare parts

jet X	EURO
1188334	6,80 (3)
CCS rings, green, blue, red, black and purple (pack of 5 pieces)	
1197400	45,80 (3)
Trigger kit, cpl.	
1197418	43,30 (3)
Trigger kit, cpl.	
1197426	17,30 (3)
Air separation ring	
1197434	21,80 (3)
Paint needle packing	
1197442	34,70 (3)
Cage	
1197450	21,20 (3)
Pressure spring (pack of 3 pieces) for paint needle	
1197468	41,90 (3)
Material flow control	
1197484	40,60 (3)
Locking screw, cpl.	
1197492	20,25 (3)
Air piston head	
1201508	92,30 (3)
Air micrometer, cpl. incl. swivel joint	
1201665	59,00 (3)
Spindle for round / flat spray control	
1201996	267,00 (3)
adam X	
1202001	338,80 (3)
adam X pro	
1202712	37,80 (3)
Control knob with screw (1 piece)	
1206722	17,90 (3)
QAC cover with hand rest	
1206780	10,60 (3)
Kit consisting of coloured marking rings (blue, green)	
140582	20,30 (3)
Sealing element (packing unit 5 pieces) for fluid tip	
96875	1,00 (3)
PVC insert for paint spray guns with QCC cup connection	



Tool kit	EURO
1183631 Universal spanner, combi tool, cleaning brush	31,80 (3)









Repair kit	EURO
1203562 Repair kit	119,70 (3)
1204461 Service unit air axis	76,60 (3)
1203554 Sealing kit	43,60 (3)



jetX

SATA

# adam X pro / adam X

<b>adam X pro</b>		EURO	
1202001	adam X pro for jet X, except BASIC	<b>338,80 (3)</b>	
<b>adam X</b>		EURO	
1201996	adam X for jet X, except BASIC	<b>267,00 (3)</b>	
<b>Spare parts</b>		EURO	
1203463	Battery set for adam x	<b>35,20 (3)</b>	
1203497	Battery set for adam x pro	<b>36,80 (3)</b>	
1206722	QAC cover with hand rest for jet X	<b>17,90 (3)</b>	
1206756	Transport and discharge protection for adam X pro	<b>17,90 (3)</b>	

SPRAY GUNS

CUP SYSTEMS

BREATHING PROTECTION

FILTER TECHNOLOGY

ADDITIONAL PRODUCTS

MERCHANDISING ITEMS





# A digital world for jet X

The jet X is the most advanced paint spray gun from SATA. With its innovative nozzle concept, it achieves a new outstanding surface quality for basecoats and clearcoats. It helps you achieve better finishes more easily.

The digital units of the adam X series allow you to standardise and reproduce these results at a high level. With their diverse functions, they support you in making processes transparent and avoiding errors. The adam X and adam X pro can be used on all digital versions of the jet X.

## The adam X

The adam X is SATA's entry into the digital world of painting. It is particularly compact and clearly laid out - and is particularly suitable for those who primarily want to use the basic functions.

The adam X shows the inlet flow pressure, the ambient temperature, the operating time and the battery status. The menu items are selected with a tap on the housing - simple and practical, even with gloves.

## The adam X pro

The adam X pro offers an unprecedented range of digital functions. This helps the professional in the paint booth analyse and control the painting process – with an unprecedented level of information and accuracy.

This is far more than just “luxury”: data analysis helps the painter to improve. It helps to optimise results and avoid painting errors such as uneven material distribution and cloud formation thanks to precisely reproducible parameters.

The operation of the device follows a concept that was developed with the conditions in the paint booth in mind. It is completely new - but you can familiarise yourself with it in just a few minutes: the various functions are selected by double-tapping the side of the housing or by tilting the gun.

	adam X	adam X pro
01. Mounting on the QAC without docking station	X	X
02. Inlet pressure indicator	X	X
03. Conversion bar/psi	X	X
04. Target pressure input	X	X
05. Alarm function for when system exceeds or falls below the target pressure		X
06. Operating time indicator	X	X
07. Ambient temperature indicator	X	X
08. Switching between °C/°F	X	X
09. Battery status indicator	X	X
10. Operating by double-tapping	X	X
11. Operating by tilting		X
12. ePaper display		X
13. Data on operating hours, painting time and number of trigger pulls		X
14. Uploading important parameters to the digital dashboard		X





# SATAjet X 5500 PHASER

## RP/HVLP



Technical Data	RP	HVLP
Recommended air inlet pressure	2,0 bar	2,0 bar
Air inlet pressure field of application	0,5 - 2,4 bar	0,5 - 2,4 bar
Recommended spraying distance	17 - 21 cm	10 - 15 cm
Air consumption	290 NI/min	430 NI/min

### I-nozzle

	1,2	1,3	1,4	EURO
--	-----	-----	-----	------

#### Spray gun with RPS multi-purpose cup 0.6 l / 0.9 l (each 1x)

RP	1096066	1096074	1150002	1.085,00 (1)
HVLP	1096157	1096149	1096131	1.085,00 (1)

#### Nozzle set

RP	1096181	1096199	1150028	372,50 (3)
HVLP	1096272	1096264	1096256	372,50 (3)

### O-nozzle

	1,2	1,3	1,4	EURO
--	-----	-----	-----	------

#### Spray gun with RPS multi-purpose cup 0.6 l / 0.9 l (each 1x)

RP	1096090	1096082	1150010	1.085,00 (1)
HVLP	1096107	1096115	1096123	1.085,00 (1)

#### Nozzle set

RP	1096214	1096206	1150036	372,50 (3)
HVLP	1096222	1096230	1096248	372,50 (3)

SPRAY GUNS  
 CUP SYSTEMS  
 BREATHING PROTECTION  
 FILTER TECHNOLOGY  
 ADDITIONAL PRODUCTS  
 MERCHANDISING ITEMS

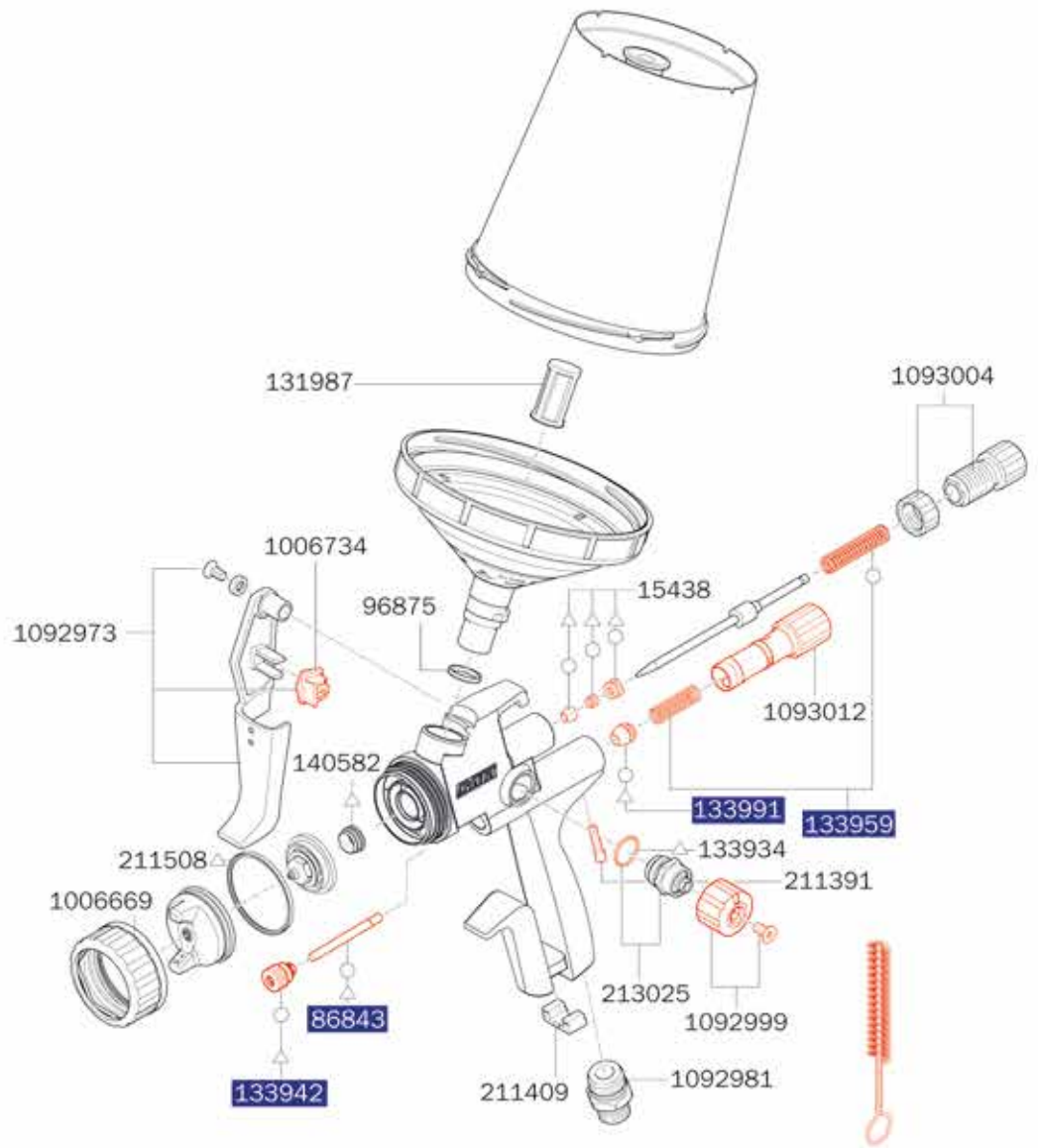
**Spare parts**

**SATAjet X 5500**

**PHASER**

EURO

1006669	<b>10,80 (3)</b>
Kit consisting of coloured marking rings (blue, green, black, packing unit each 1 piece)	
1006734	<b>6,60 (3)</b>
Trigger fixing clip	
1092973	<b>132,10 (3)</b>
Trigger kit	
1092981	<b>14,60 (3)</b>
Air connection piece 1/4" male thread	
1092999	<b>42,60 (3)</b>
Control knob with screw (pack of 2 pieces)	
1093004	<b>35,80 (3)</b>
Material flow control with counter nut	
1093012	<b>58,00 (3)</b>
Air micrometer	
1097379	<b>12,50 (3)</b>
Universal spanner (pack of 3 pieces)	
131987	<b>109,10 (3)</b>
Spare plug-in sieve 200 µm, pastel green (packing unit 100 pieces)	
133934	<b>5,70 (3)</b>
Sealing (packing unit 3 pieces) for spindle	
133942	<b>22,30 (3)</b>
Seal retainer, cpl.	
133959	<b>18,80 (3)</b>
Pressure spring (3 pieces) for paint needle and air piston	
133991	<b>8,20 (3)</b>
Air piston head (packing unit 3 pieces)	
140582	<b>20,30 (3)</b>
Sealing element (packing unit 5 pieces) for fluid tip	
15438	<b>18,60 (3)</b>
Paint needle packing	
211391	<b>9,60 (3)</b>
Locking screw (packing unit 3 pieces) for air micrometer	
211409	<b>6,90 (3)</b>
CCS-Clips, green, blue, red, black (packing unit 4 pieces)	
211508	<b>36,60 (3)</b>
Sealing ring (packing unit 5 pieces)	
213025	<b>54,10 (3)</b>
Spindle, cpl., for round / flat spray control	
86843	<b>9,50 (3)</b>
Air piston rod	
96875	<b>1,00 (3)</b>
PVC insert for paint spray guns with QCC cup connection	



Tool kit	EURO
1057323 Universal spanner, combi tool, cleaning brush, CCS clips, paint strainer	<b>32,40 (3)</b>



Repair kit	EURO
1093020 Repair kit	<b>109,40 (3)</b>
82552 Air piston service unit	<b>55,40 (3)</b>
136960 Sealing kit	<b>38,60 (3)</b>
1173286 Maintenance Set	<b>39,50 (3)</b>

# SATAjet X 5500

## RP/HVLP



Technical Data	RP	HVLP
Recommended air inlet pressure	2,0 bar	2,0 bar
Air inlet pressure field of application	0,5 - 2,4 bar	0,5 - 2,4 bar
Recommended spraying distance	17 - 21 cm	10 - 15 cm
Air consumption	290 NI/min	430 NI/min

I-nozzle								EURO
1,1	1,2	1,3	1,4	1,5	1,6	1,8		
<b>Non DIGITAL with RPS multi-purpose cup 0.6 l / 0.9 l (each 1x) with swivel joint</b>								
RP	1061548	1061556	1061564	1061572	1106534	1106542	1126889	<b>691,00 (1)</b>
HVLP	1061895	1061902	1061887	1061910	1061928	-	-	<b>691,00 (1)</b>
<b>DIGITAL with RPS multi-purpose cup 0.6 l / 0.9 l (each 1x) with swivel joint</b>								
RP	1061621	1061647	1061697	1061712	-	-	-	<b>865,00 (1)</b>
HVLP	1061994	1061879	1062025	1062033	1062067	-	-	<b>865,00 (1)</b>
<b>Nozzle set</b>								
RP	1063536	1063544	1063552	1063560	1106493	1106526	1125120	<b>241,60 (3)</b>
HVLP	1063619	1063627	1063635	1063651	1063669	-	-	<b>241,60 (3)</b>

SPRAY GUNS  
 CUP SYSTEMS  
 BREATHING PROTECTION  
 FILTER TECHNOLOGY  
 ADDITIONAL PRODUCTS  
 MERCHANDISING ITEMS



**0-nozzle**

	1,1	1,2	1,3	1,4	1,5	1,6	1,8	EURO
--	-----	-----	-----	-----	-----	-----	-----	------

**Non DIGITAL with RPS multi-purpose cup 0.6 l / 0.9 l (each 1x) with swivel joint**

RP	1061580	1061598	1061605	1061613	1106550	1106568	1126897	<b>691,00 (1)</b>
HVLP	1061936	1061944	1061952	1061960	1061978	-	-	<b>691,00 (1)</b>

**DIGITAL with RPS multi-purpose cup 0.6 l / 0.9 l (each 1x) with swivel joint**

RP	1061746	1061788	1061803	1061829	-	-	-	<b>865,00 (1)</b>
HVLP	1062075	1062108	1062124	1062158	1062166	-	-	<b>865,00 (1)</b>

**Nozzle set**

RP	1063578	1063586	1063594	1063601	1106500	1106518	1125138	<b>241,60 (3)</b>
HVLP	1063677	1063685	1063643	1063693	1063700	-	-	<b>241,60 (3)</b>

**10/40**

	10/40							EURO
--	-------	--	--	--	--	--	--	------

**Non DIGITAL with RPS multi-purpose cup 0.6 l / 0.9 l (each 1x) with swivel joint**

RP	1202663							<b>691,00 (1)</b>
----	---------	--	--	--	--	--	--	-------------------

**DIGITAL with RPS multi-purpose cup 0.6 l / 0.9 l (each 1x) with swivel joint**

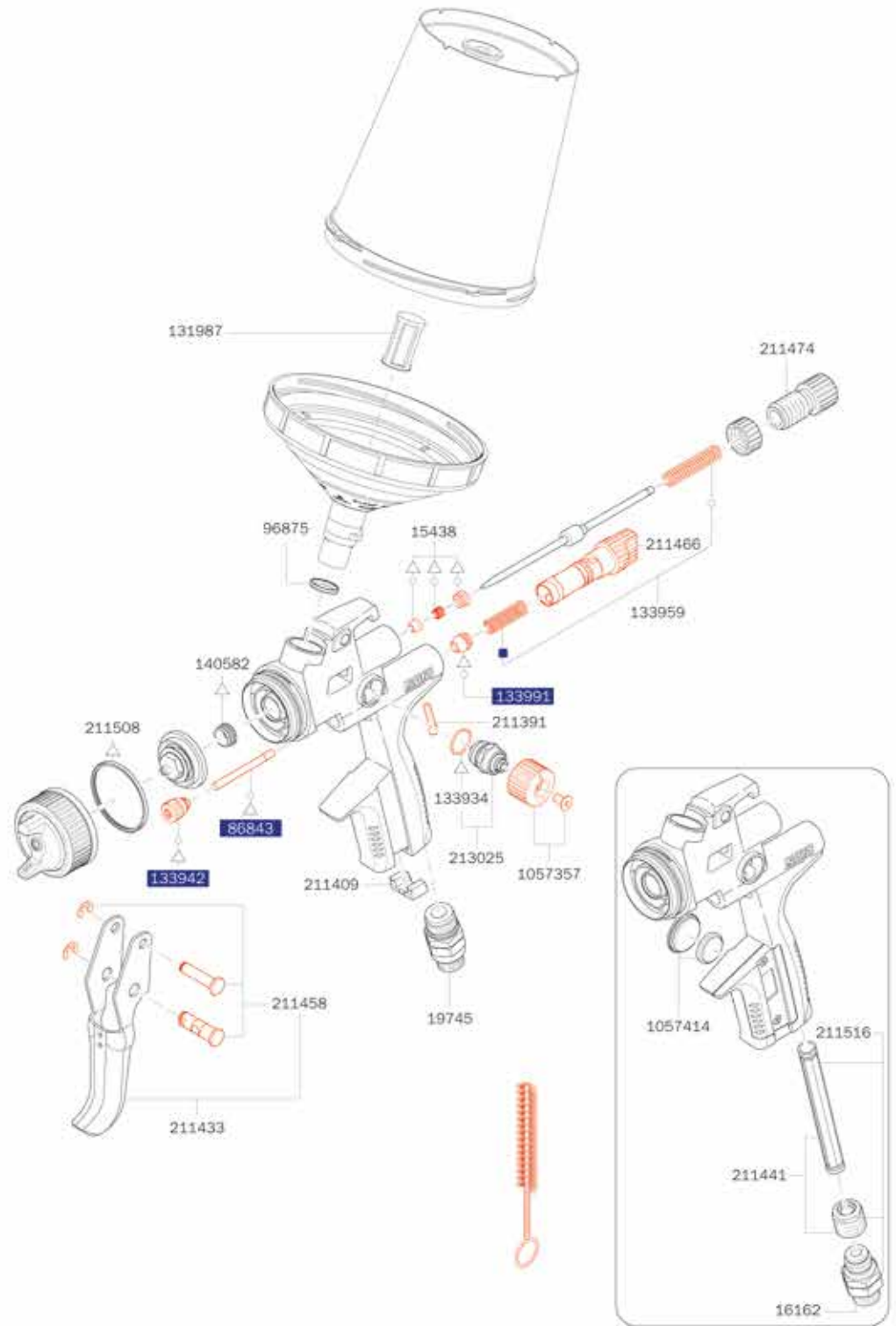
RP	1202803							<b>865,00 (1)</b>
----	---------	--	--	--	--	--	--	-------------------

**Nozzle set**

RP	1202233							<b>241,60 (3)</b>
----	---------	--	--	--	--	--	--	-------------------

SPRAY GUNS  
 CUP SYSTEMS  
 BREATHING PROTECTION  
 FILTER TECHNOLOGY  
 ADDITIONAL PRODUCTS  
 MERCHANDISING ITEMS

Spare parts	
SATAjet X 5500	EURO
1057357	33,30 (3)
Control knob with screw (2 pieces each)	
1057414	32,20 (3)
Battery kit	
1097379	12,50 (3)
Universal spanner (pack of 3 pieces)	
131987	109,10 (3)
Spare plug-in sieve 200 µm, pastel green (packing unit 100 pieces)	
133934	5,70 (3)
Sealing (packing unit 3 pieces) for spindle	
133942	22,30 (3)
Seal retainer, cpl.	
133959	18,80 (3)
Pressure spring (3 pieces) for paint needle and air piston	
133991	8,20 (3)
Air piston head (packing unit 3 pieces)	
140582	20,30 (3)
Sealing element (packing unit 5 pieces) for fluid tip	
15438	18,60 (3)
Paint needle packing	
16162	36,50 (3)
Swivel joint	
19745	36,50 (3)
Swivel joint	
211391	9,60 (3)
Locking screw (packing unit 3 pieces) for air micrometer	
211409	6,90 (3)
CCS-Clips, green, blue, red, black (packing unit 4 pieces)	
211433	38,90 (3)
Trigger kit	
211441	18,60 (3)
Seal retainer with sleeve	
211458	29,80 (3)
Trigger sleeve kit	
211466	51,90 (3)
Air micrometer	
211474	30,80 (3)
Material flow control with counter nut	
211508	36,60 (3)
Sealing ring (packing unit 5 pieces)	
211516	59,30 (3)
Swivel joint with seal retainer and sleeve	
213025	54,10 (3)
Spindle, cpl., for round / flat spray control	
86843	9,50 (3)
Air piston rod	
96875	1,00 (3)
PVC insert for paint spray guns with QCC cup connection	



Tool kit	EURO
1057323 Universal spanner, combi tool, cleaning brush, CCS clips, paint strainer	32,40 (3)

Repair kit	EURO
1047522 Repair kit	93,00 (3)
82552 Air piston service unit	55,40 (3)
136960 Sealing kit	38,60 (3)
1173286 Maintenance Set	39,50 (3)



# SATAjet X 5500 Clear Coat Edition

<b>Technical Data</b>	<b>RP</b>
Recommended air inlet pressure	2,0 bar
Air inlet pressure field of application	0,5 - 2,4 bar
Recommended spraying distance	17 - 21 cm
Air consumption	290 NI/min



## Spray gun

EURO

1185893

**861,00 (1)**

SATAjet X 5500 RP Clearcoat Edition DIGITAL bar, nozzle 1.3cc, RPS multi purpose cup 0.6 l / 0.9 l (each 1x), swivel joint

1174573

**691,00 (1)**

SATAjet X 5500 RP Clearcoat Edition nozzle 1.3cc RPS multi purpose cup 0.6 l / 0.9 l (each 1x), with swivel joint

## Nozzle set

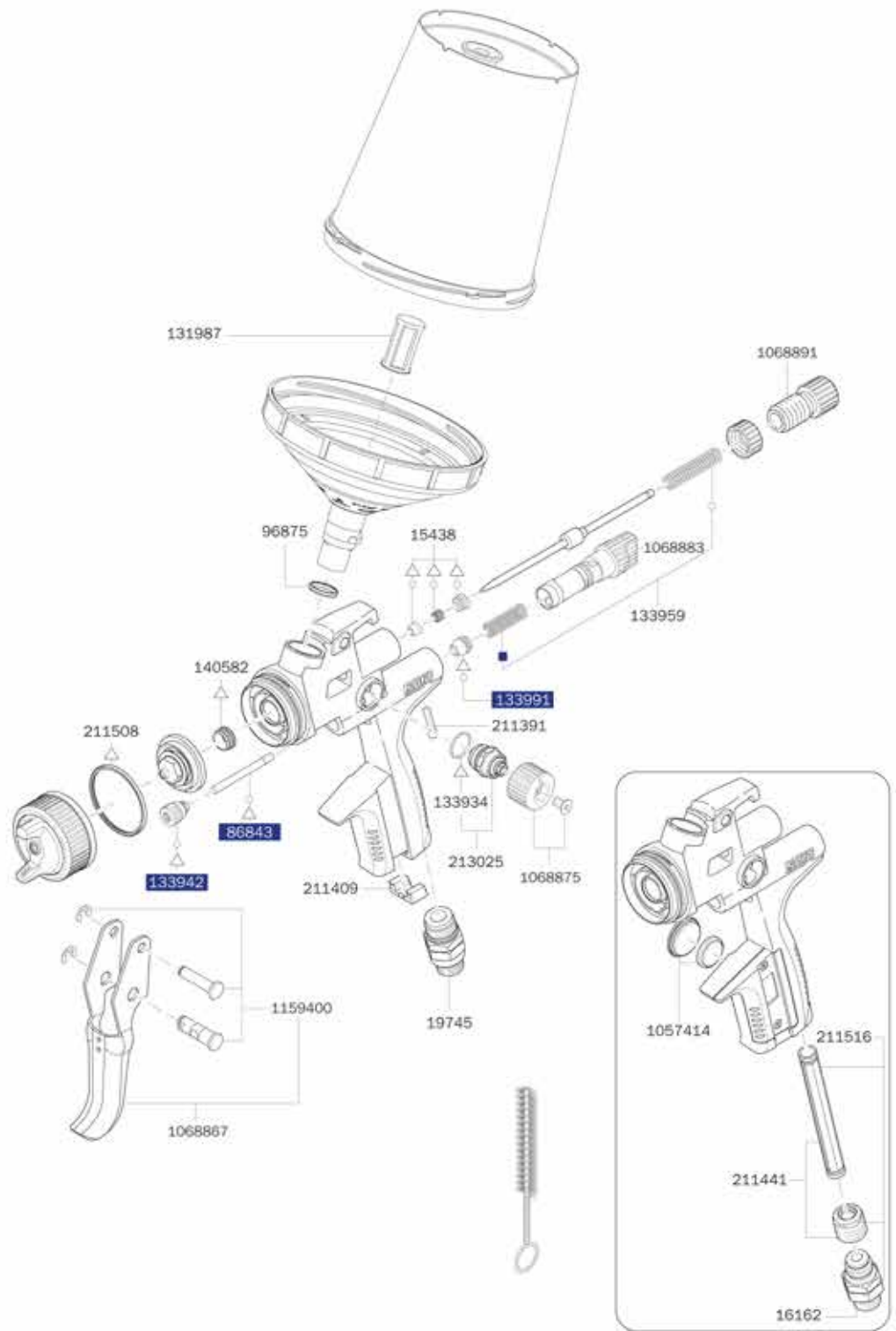
EURO

1174606

**241,60 (3)**

Nozzle set SATAjet X 5500 RP 1,3cc

Spare parts	
SATAjet X 5500	
Clear Coat Edition	
	EURO
1057414	32,20 (3)
Battery kit	
1097379	12,50 (3)
Universal spanner (pack of 3 pieces)	
1159400	33,90 (3)
Trigger sleeve kit, black	
131987	109,10 (3)
Spare plug-in sieve 200 µm, pastel green (packing unit 100 pieces)	
133934	5,70 (3)
Sealing (packing unit 3 pieces) for spindle	
133942	22,30 (3)
Seal retainer, cpl.	
133959	18,80 (3)
Pressure spring (3 pieces) for paint needle and air piston	
133991	8,20 (3)
Air piston head (packing unit 3 pieces)	
140582	20,30 (3)
Sealing element (packing unit 5 pieces) for fluid tip	
15438	18,60 (3)
Paint needle packing	
16162	36,50 (3)
Swivel joint	
19745	36,50 (3)
Swivel joint	
211391	9,60 (3)
Locking screw (packing unit 3 pieces) for air micro-meter	
211409	6,90 (3)
CCS-Clips, green, blue, red, black (packing unit 4 pieces)	
211441	18,60 (3)
Seal retainer with sleeve	
211508	36,60 (3)
Sealing ring (packing unit 5 pieces)	
211516	59,30 (3)
Swivel joint with seal retainer and sleeve	
213025	54,10 (3)
Spindle, cpl., for round / flat spray control	
86843	9,50 (3)
Air piston rod	
96875	1,00 (3)
PVC insert for paint spray guns with QCC cup connection	



Tool kit	EURO
1057323 Universal spanner, combi tool, cleaning brush, CCS clips, paint strainer	32,40 (3)

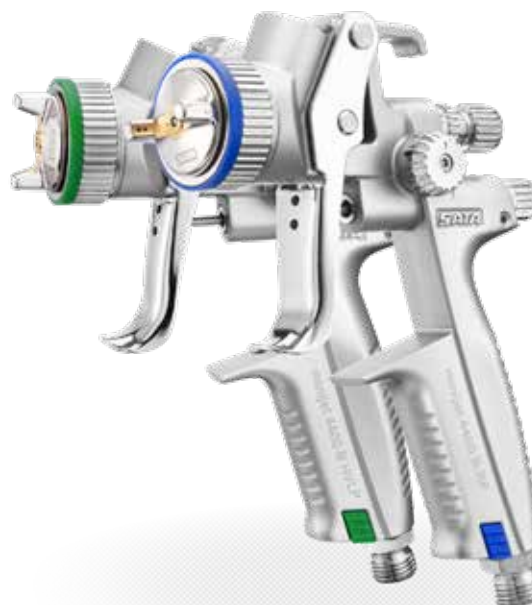


Repair kit	EURO
136960 Sealing kit	38,60 (3)
82552 Air piston service unit	55,40 (3)
1173286 Maintenance Set	39,50 (3)



# SATAMinijet 4400 B

## RP/HVLP



Technical Data	RP	HVLP
Recommended air inlet pressure	2,5 bar	2,0 bar
Air inlet pressure field of application	0,5 - 2,5 bar	0,5 - 2,0 bar
Recommended spraying distance	12 - 19 cm	12 - 15 cm
Air consumption	200 NI/min	120 NI/min

0,3 SR	0,8 SR	1,0 SR	1,2 SR	1,3 SR	1,4 SR	0,3	0,5	EURO
--------	--------	--------	--------	--------	--------	-----	-----	------

**Spot-Repair with RPS multi-purpose cup 0.3 l (2x)**

RP	1114149	202390	198358	198366	1065136	-	-	-	381,00 (1)
HVLP	-	198168	198176	198184	-	198192	-	-	381,00 (1)

**Spot Repair with 125 ccm QQC reusable plastic gravity flow cup**

RP	-	198200	198218	198226	-	-	-	-	401,00 (1)
HVLP	-	198069	198077	198085	-	198093	-	-	401,00 (1)

**Spray gun with 125 ccm QQC reusable plastic gravity flow cup**

RP	-	-	-	-	-	-	-	202416	401,00 (1)
HVLP	-	-	-	-	-	-	197970	197988	401,00 (1)

**Nozzle set**

RP	1114131	201285	201293	201301	1065037	-	-	202408	145,70 (3)
HVLP	-	201244	201251	201269	-	201277	201194	201202	145,70 (3)

0,8	1,0	1,1	1,4	1,6				EURO
-----	-----	-----	-----	-----	--	--	--	------

**Spray gun with 125 ccm QQC reusable plastic gravity flow cup**

RP	-	-	-	198234	198242	-	-	-	401,00 (1)
HVLP	197996	198002	198010	-	-	-	-	-	401,00 (1)

**Nozzle set**

RP	-	-	-	201319	201327	-	-	-	145,70 (3)
HVLP	201210	201228	201236	-	-	-	-	-	145,70 (3)

**design set**

198382  
SATA design set with SATAMinijet 4400 B HVLP 1.0

EURO  
**793,00 (1)**



SPRAY GUNS  
CUP SYSTEMS  
BREATHING PROTECTION  
FILTER TECHNOLOGY  
ADDITIONAL PRODUCTS  
MERCHANDISING ITEMS

**SR-nozzles specifically for spot repair applications**

- Lower risk of creating bright edges ("halos")
- Allows application of very thin layers of paint

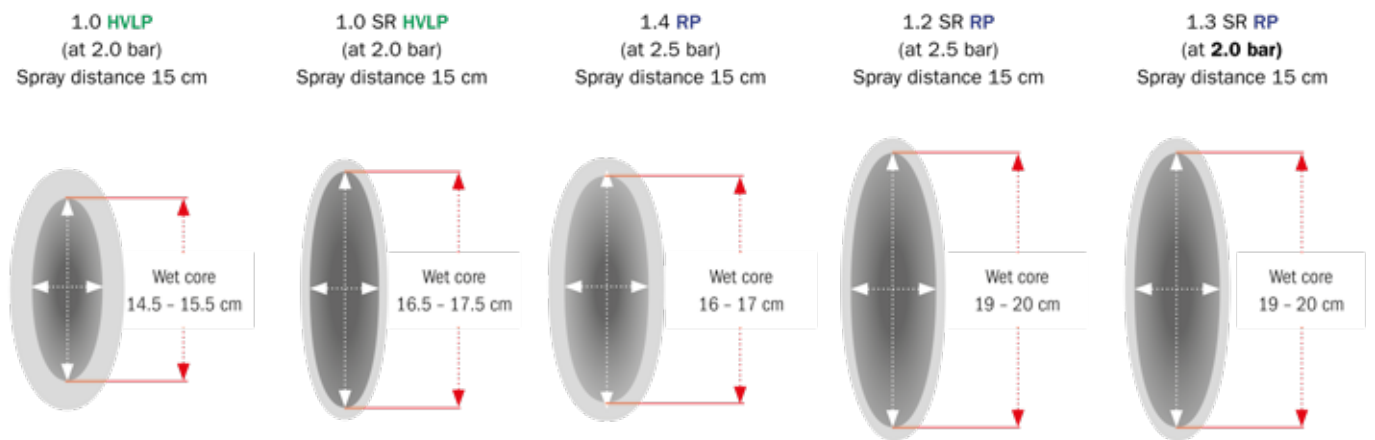
## Spray fan comparison

### SATAmijinjet 4400 B HVLV

Standard nozzle / SR nozzle

### SATAmijinjet 4400 B RP

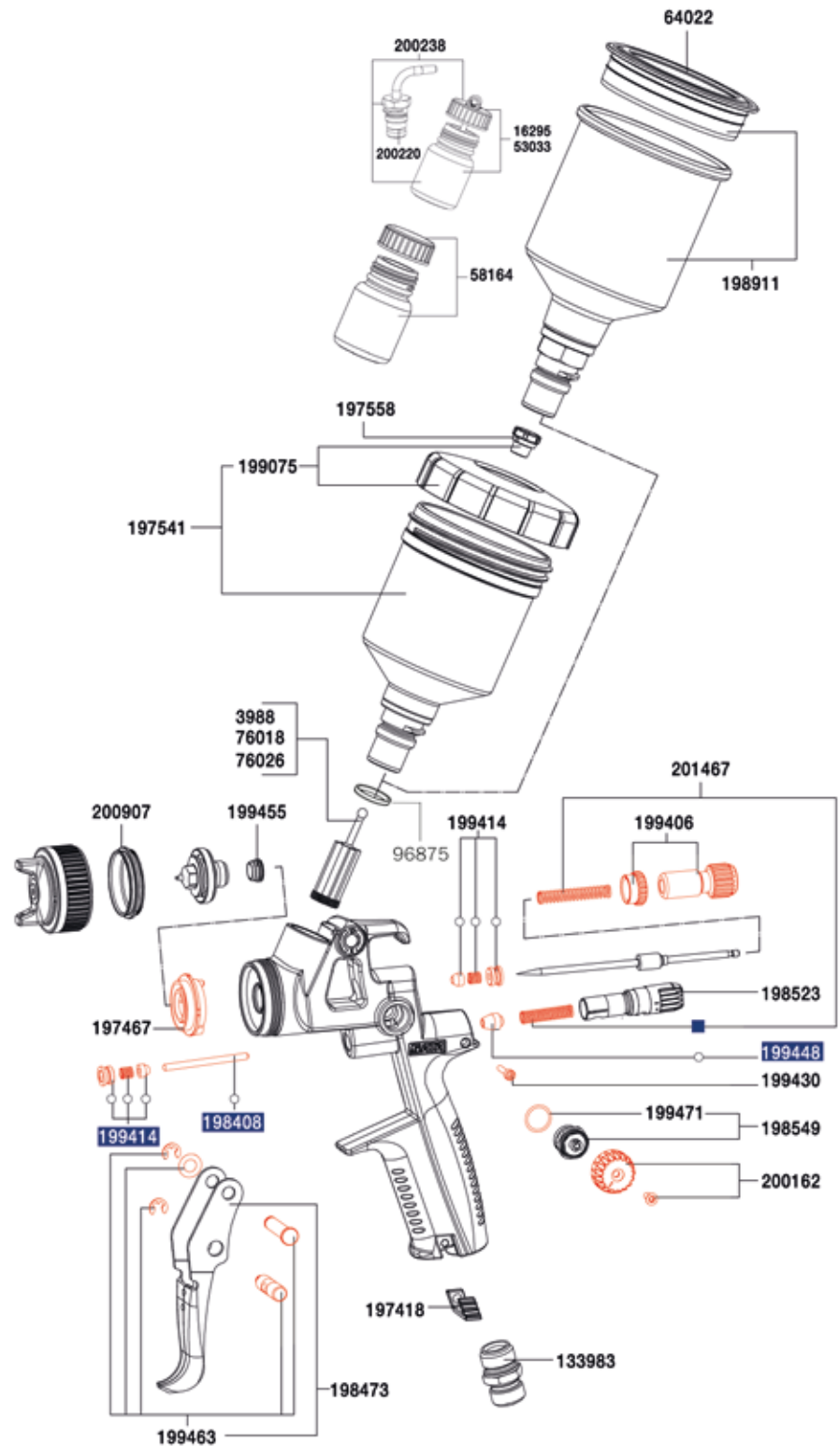
Standard nozzle / SR nozzle



SPRAY GUNS  
 CUP SYSTEMS  
 BREATHING PROTECTION  
 FILTER TECHNOLOGY  
 ADDITIONAL PRODUCTS  
 MERCHANDISING ITEMS

**Spare parts**  
**SATAminijet 4400**

B	EURO
1097379	12,50 (3)
Universal spanner (pack of 3 pieces)	
133983	13,40 (3)
Air connection piece 1/4" male thread	
16295	34,40 (3)
25 ml glass cup with plug-in cup	
197418	7,80 (3)
CCS Clips, green, blue, red, black (packing unit 4 pieces)	
197467	21,40 (3)
Air distribution ring (packing unit 3 pieces)	
197541	56,10 (3)
Reusable plastic cup, 0.125 l with QCC without fine thread	
197558	20,50 (3)
Anti-drip device (packing unit 4 pieces)	
198408	4,00 (3)
Air piston rod	
198473	17,10 (3)
Trigger kit	
198523	27,00 (3)
Air micrometer, complete	
198549	44,30 (3)
Spindle for round / flat spray control	
198911	56,60 (3)
Reusable aluminium cup, 0.15 l with QCC without fine thread for SATAjet 5000 series, jet 4000 B, jet 3000 B, jet 2000, jet 1000 B, jet 100 B, jet RP, minijet 4400 B	
199075	16,80 (3)
Screw cap with drip catcher ring and anti-drip device	
199406	20,10 (3)
Material flow control with counter nut	
199414	18,30 (3)
Packing for paint needle and air piston rod	
199430	8,20 (3)
Adjustment screw (packing unit 3 pieces) for air micrometer	
199448	8,70 (3)
Air piston head (packing unit 3 pieces)	
199455	19,90 (3)
Sealing element (packing unit 5 pieces) for fluid tip	
199463	8,50 (3)
Trigger sleeve kit	
199471	6,10 (3)
Gasket (packing unit 3 pieces) for spindle	
200162	27,20 (3)
Control knob with screw (each 2 pieces)	
200220	66,90 (3)
Plug-in cup connection with QCC	
200238	195,50 (3)
25 ml glass cup with plug-in lid (packing unit 5 pieces) and QCC plug-in connection (packing unit 1 piece)	
200907	35,90 (3)
Sealing ring (packing unit 5 pieces)	
201467	18,50 (3)
Pressure spring (each 3 pieces) for paint needle and air piston	
3988	26,80 (3)
Paint strainer, 300 µm (packing unit 10 pieces)	
53033	147,80 (3)
25 ml glass cup with plug-in cup (packing unit 5 pieces)	
58164	37,10 (3)
25 ml glass cup with blind lid (packing unit 5 pieces)	
64022	18,80 (3)
Plastic lid (3 pieces)	
76018	225,90 (3)
Paint strainer, 300 µm (packing unit 100 pieces)	
76026	992,00 (3)
Paint strainer, 300 µm (packing unit 500 pieces)	
96875	1,00 (3)
PVC insert for paint spray guns with QCC cup connection	



Tool kit	EURO
198572 Universal spanner, Combi tool, Cleaning brush, Extraction tool, Paint strainer	27,10 (3)



Repair kit	EURO
198614 Repair kit	83,10 (3)
199422 Air piston service unit	25,90 (3)
200246 Sealing kit	46,30 (3)









# SATAjet 100 B

RP/HVLP/P



Technical Data	RP	HVLP	P
Recommended air inlet pressure	2,0 bar	2,0 bar	2,0 bar
Air inlet pressure field of application	1,5 - 2,0 bar	2,0 bar	1,5 - 2,0 bar
Recommended spraying distance	17 - 21 cm	10 - 15 cm	17 - 21 cm
Air consumption	290 NI/min	350 NI/min	245 NI/min

	1,4	1,6	1,7	1,8	1,9	2,0	2,1	EURO
<b>Spray gun with RPS multi-purpose cup 0.3 l / 0.6 l / 0.9 l (each 1x) without swivel joint</b>								
RP	1012632	1012640	-	1012658	-	1012666	-	304,00 (1)
HVLP	1012674	-	1012682	-	1012690	-	1012707	372,00 (1)
<b>Spray gun with 0.6 l QCC reusable plastic gravity flow cup without swivel joint</b>								
RP	146969	145193	-	145201	-	145219	-	321,00 (1)
HVLP	146373	-	145722	-	145730	-	145748	388,00 (1)
<b>Spray gun with 0.75 l QCC reusable aluminium gravity flow cup without swivel joint</b>								
RP	153023	146134	-	146142	-	147421	-	324,00 (1)
HVLP	147447	-	146175	-	146183	-	147454	391,00 (1)
<b>Nozzle set</b>								
RP	146977	145250	-	145268	-	145276	-	124,70 (3)
HVLP	146381	-	145417	-	145425	-	145433	124,70 (3)

SATAjet 100 B F RP 1,1 UV without swivel joint*	EURO
203125	306,00 (1)
SATAjet 100 B F RP nozzle 1.1 UV RPS multi-purpose cup 0.6 l UV (3x)	
182592	324,00 (1)
SATAjet 100 B F RP nozzle 1.1 UV 0.75 l QCC reusable aluminium cup	
182600	124,70 (3)
Nozzle set SATAjet 100 B F RP 1.1 UV	

SATAjet 100 B P without swivel joint**	EURO
1012715	303,00 (1)
SATAjet 100 B P multi-purpose RPS cup 0.3 l / 0.6 l / 0.9 l (each 1x)	
145185	320,00 (1)
SATAjet 100 B nozzle P 0.6 l QCC reusable plastic cup	
146217	323,00 (1)
SATAjet 100 B nozzle P 0.75 l QCC reusable aluminium cup	
145284	122,00 (3)
Nozzle set SATAjet 100 B P	

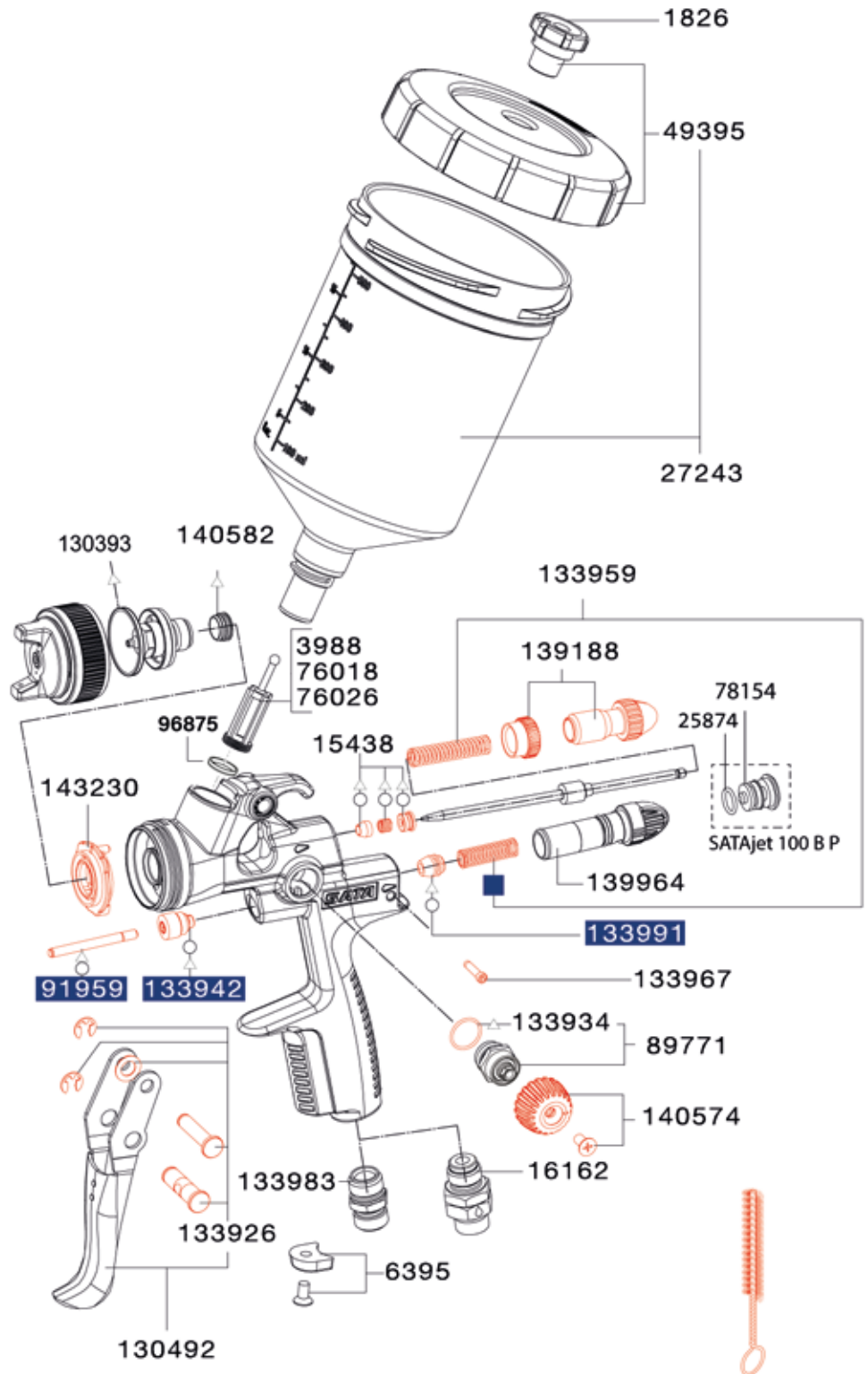
\*Designed for use with UV Primer. \*\*Designed for use with Polyester Spray Filler.

SPRAY GUNS  
 CUP SYSTEMS  
 BREATHING PROTECTION  
 FILTER TECHNOLOGY  
 ADDITIONAL PRODUCTS  
 MERCHANDISING ITEMS



**Spare parts**

SATAjet 100 B	EURO
1097379	12,50 (3)
Universal spanner (pack of 3 pieces)	
130393	3,70 (3)
Sealing ring for air cap ring SATAjet 100 and 1000	
130492	35,50 (3)
Trigger kit	
133926	20,60 (3)
Trigger sleeve kit	
133934	5,70 (3)
Sealing (packing unit 3 pieces) for spindle	
133942	22,30 (3)
Seal retainer, cpl.	
133959	18,80 (3)
Pressure spring (3 pieces) for paint needle and air piston	
133967	9,10 (3)
Adjustment screw (packing unit 3 pieces) for air micrometer	
133983	13,40 (3)
Air connection piece 1/4" male thread	
133991	8,20 (3)
Air piston head (packing unit 3 pieces)	
139188	21,40 (3)
Material flow control with counter nut	
139964	39,20 (3)
Air micrometer	
140574	33,20 (3)
Control knob with screw	
140582	20,30 (3)
Sealing element (packing unit 5 pieces) for fluid tip	
143230	21,20 (3)
Air distribution ring (packing unit 3 pieces)	
15438	18,60 (3)
Paint needle packing	
16162	36,50 (3)
Swivel joint	
1826	21,20 (3)
Anti-drip device (packing unit 4 pieces)	
25874	2,20 (4)
O-ring	
27243	59,70 (3)
Reusable plastic cup, 0.6 l with QCC without fine thread for SATAjet 5000 series, jet 4000 B, jet 3000 B, jet 2000, jet 1000 B, jet 100 B, jet RP, minijet 4400 B	
3988	26,80 (3)
Paint strainer, 300 µm (packing unit 10 pieces)	
49395	24,30 (3)
Screw-on lid for 0.6 l PVC cup with drip-catching ring and non-drip device	
6395	6,80 (3)
CCS Clips, green, blue, red, black (packing unit 4 pieces)	
76018	225,90 (3)
Paint strainer, 300 µm (packing unit 100 pieces)	
76026	992,00 (3)
Paint strainer, 300 µm (packing unit 500 pieces)	
78154	6,40 (3)
Closing cap	
89771	51,10 (3)
Spindle, cpl., f. round / flat spray control SATAjet 2000 HVLP	
91959	10,90 (3)
Air piston rod	



Tool kit	EURO
9050 Universal spanner, Cleaning brush, Allen wrench 4 mm width, Allen wrench 2 mm width, Extraction tool, Paint strainer	23,20 (3)

Repair kit	EURO
130542 Repair kit	72,90 (3)
92759 Air piston service unit	57,00 (3)
183780 Sealing kit	38,60 (3)
1173260 Maintenance Set	39,50 (3)

All prices are recommended list prices. Errors, technical modifications and printing errors reserved.

SPRAY GUNS

CUP SYSTEMS

BREATHING PROTECTION

FILTER TECHNOLOGY

ADDITIONAL PRODUCTS

MERCHANDISING ITEMS

SPRAY GUNS  
 CUP SYSTEMS  
 BREATHING PROTECTION  
 FILTER TECHNOLOGY  
 ADDITIONAL PRODUCTS  
 MERCHANDISING ITEMS

# SATAjet 1000 B

RP



<b>Technical Data</b>	<b>RP</b>
Recommended air inlet pressure	2,0 bar
Air inlet pressure field of application	1,5 - 2,0 bar
Recommended spraying distance	17 - 21 cm
Air consumption	275 NI/min

	0,8	1,0	1,3	1,6	1,8	2,0	2,5	3,0	EURO
<b>Spray gun with 0.6 l QCC reusable plastic gravity flow cup without swivel joint</b>									
RP	151183	151191	149302	149310	150391	149328	151209	151217	<b>396,00 (1)</b>
<b>Spray gun with 0.6 l QCC reusable plastic gravity flow cup with swivel joint</b>									
RP	157875	157883	157891	157909	157917	157925	157933	157941	<b>409,00 (1)</b>
<b>Spray gun with 0.75 l QCC reusable aluminium gravity flow cup without swivel joint</b>									
RP	151225	151233	150342	149344	150409	149351	151241	151258	<b>398,00 (1)</b>
<b>Nozzle set</b>									
RP	151316	151324	149161	149179	150417	149187	151332	151340	<b>159,20 (3)</b>
	2,5 HV	3,0 HV	4,0	5,0					EURO
<b>Spray gun with 0.6 l QCC reusable plastic gravity flow cup without swivel joint - for high viscosity materials</b>									
RP	1003194	1003201	-	-	-	-	-	-	<b>410,00 (1)</b>
<b>Spray gun with 0.6 l QCC reusable plastic gravity flow cup without swivel joint - large nozzles</b>									
RP	-	-	154161	-	-	-	-	-	<b>421,00 (1)</b>
<b>Spray gun with 0.6 l QCC reusable plastic gravity flow cup with swivel joint - for high viscosity materials</b>									
RP	1003235	1003243	-	-	-	-	-	-	<b>419,00 (1)</b>
<b>Spray gun with 0.6 l QCC reusable plastic gravity flow cup with swivel joint - large nozzles</b>									
RP	-	-	157958	-	-	-	-	-	<b>436,00 (1)</b>
<b>Spray gun with 0.75 l QCC reusable aluminium gravity flow cup without swivel joint - for high viscosity materials</b>									
RP	1003219	1003227	-	-	-	-	-	-	<b>413,00 (1)</b>
<b>Spray gun with 0.75 l QCC reusable aluminium gravity flow cup without swivel joint - large nozzles</b>									
RP	-	-	154179	-	-	-	-	-	<b>426,00 (1)</b>
<b>Nozzle set - for high viscosity materials</b>									
RP	222372	222380	-	-	-	-	-	-	<b>161,40 (3)</b>
<b>Nozzle set - large nozzle sizes</b>									
RP	-	-	154187	154195	-	-	-	-	<b>180,20 (3)</b>

<b>SATAjet 1000 B RP for glue applications</b>		EURO
164962	SATAjet 1000 B RP nozzle 1.6 D twisted round spray 0.6 l QCC reusable plastic cup	<b>525,00 (1)</b>
164970	Nozzle set SATAjet 1000 B RP 1.6 twisted round spray	<b>168,00 (3)</b>
214320	SATAjet 1000 B RP nozzle 1.3 DA pressurised cup spray gun for dispersion glues, incl. SATA BVD add-on kit	<b>834,00 (1)</b>
214338	Nozzle set SATAjet 1000 B RP 1.3 DA for dispersion glues	<b>176,70 (3)</b>

SPRAY GUNS

CUP SYSTEMS

BREATHING PROTECTION

FILTER TECHNOLOGY

ADDITIONAL PRODUCTS

MERCHANDISING ITEMS

# SATAjet 1000 B

HVLP



**Technical Data**

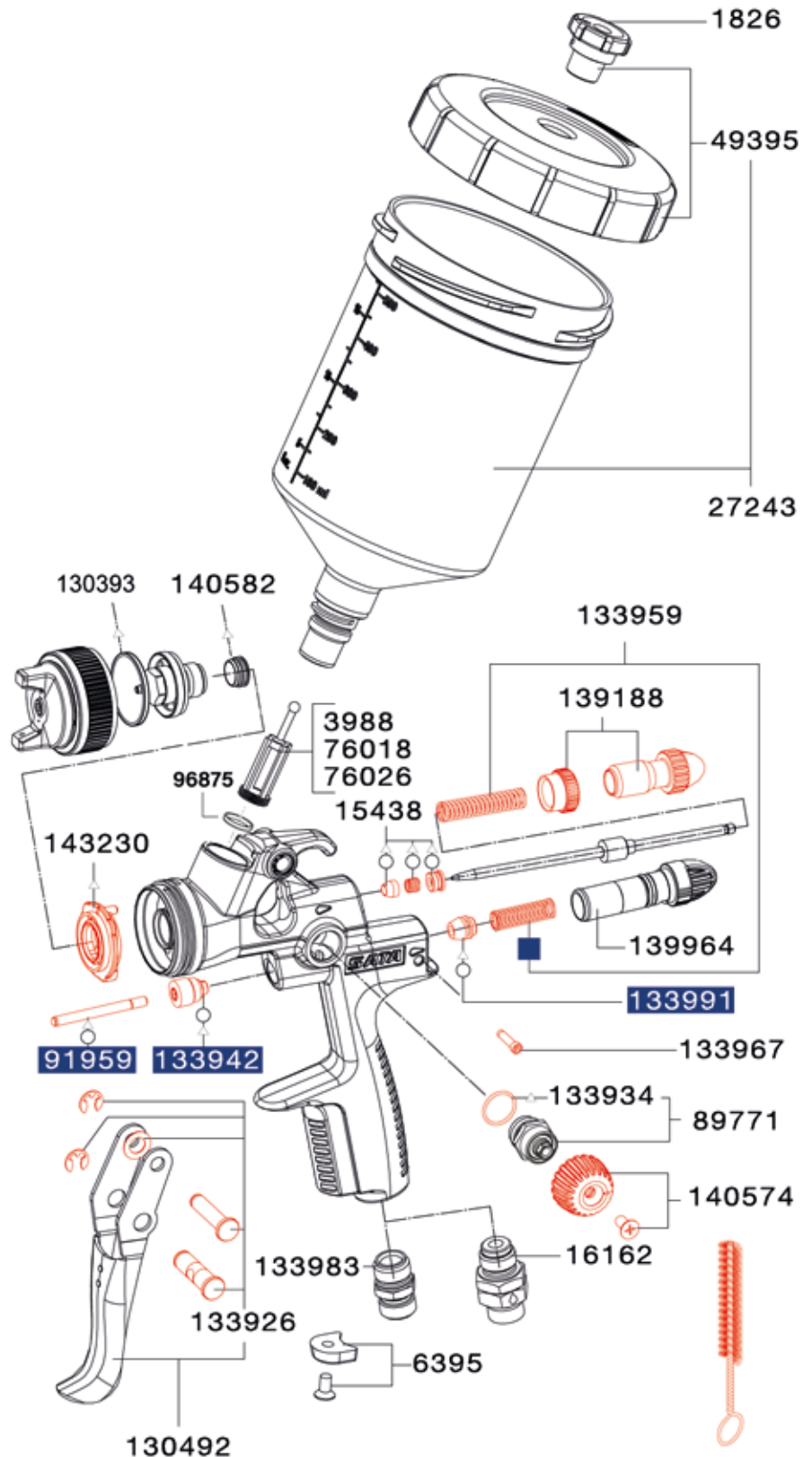
**HVLP**

Recommended air inlet pressure 2,0 bar  
 Air inlet pressure field of application 2,0 bar  
 Recommended spraying distance 13 - 17 cm  
 Air consumption 350 NI/min

	1,4	1,7	1,9	2,1	EURO
<b>Spray gun with 0.6 l QCC reusable plastic gravity flow cup without swivel joint</b>					
HVLP	149377	149385	149393	149401	<b>452,00 (1)</b>
<b>Spray gun with 0.6 l QCC reusable plastic gravity flow cup with swivel joint</b>					
HVLP	157966	157974	157982	157990	<b>465,00 (1)</b>
<b>Spray gun with 0.75 l QCC reusable aluminium gravity flow cup without swivel joint</b>					
HVLP	149419	149427	149435	149443	<b>454,00 (1)</b>
<b>Nozzle set</b>					
HVLP	149195	149203	149211	149229	<b>159,20 (3)</b>

**Spare parts**

SATAjet 1000 B	EURO
1097379	12,50 (3)
Universal spanner (pack of 3 pieces)	
130393	3,70 (3)
Sealing ring for air cap ring SATAjet 100 and 1000	
130492	35,50 (3)
Trigger kit	
133926	20,60 (3)
Trigger sleeve kit	
133934	5,70 (3)
Sealing (packing unit 3 pieces) for spindle	
133942	22,30 (3)
Seal retainer, cpl.	
133959	18,80 (3)
Pressure spring (3 pieces) for paint needle and air piston	
133967	9,10 (3)
Adjustment screw (packing unit 3 pieces) for air micrometer	
133983	13,40 (3)
Air connection piece 1/4" male thread	
133991	8,20 (3)
Air piston head (packing unit 3 pieces)	
139188	21,40 (3)
Material flow control with counter nut	
139964	39,20 (3)
Air micrometer	
140574	33,20 (3)
Control knob with screw	
140582	20,30 (3)
Sealing element (packing unit 5 pieces) for fluid tip	
143230	21,20 (3)
Air distribution ring (packing unit 3 pieces)	
15438	18,60 (3)
Paint needle packing	
16162	36,50 (3)
Swivel joint	
1826	21,20 (3)
Anti-drip device (packing unit 4 pieces)	
27243	59,70 (3)
Reusable plastic cup, 0.6 l with QCC without fine thread for SATAjet 5000 series, jet 4000 B, jet 3000 B, jet 2000, jet 1000 B, jet 100 B, jet RP, minijet 4400 B	
3988	26,80 (3)
Paint strainer, 300 µm (packing unit 10 pieces)	
49395	24,30 (3)
Screw-on lid for 0.6 l PVC cup with drip-catching ring and non-drip device	
6395	6,80 (3)
CCS Clips, green, blue, red, black (packing unit 4 pieces)	
76018	225,90 (3)
Paint strainer, 300 µm (packing unit 100 pieces)	
76026	992,00 (3)
Paint strainer, 300 µm (packing unit 500 pieces)	
89771	51,10 (3)
Spindle, cpl., f. round / flat spray control SATAjet 2000 HVLP	
91959	10,90 (3)
Air piston rod	
96875	1,00 (3)
PVC insert for paint spray guns with QCC cup connection	



Tool kit	EURO
9050 Universal spanner, Cleaning brush, Allen wrench 4 mm width, Allen wrench 2 mm width, Extraction tool, Paint strainer	23,20 (3)

Repair kit	EURO
130542 Repair kit	72,90 (3)
92759 Air piston service unit	57,00 (3)
183780 Sealing kit	38,60 (3)
1173260 Maintenance Set	39,50 (3)

All prices are recommended list prices. Errors, technical modifications and printing errors reserved.

SPRAY GUNS

CUP SYSTEMS

BREATHING PROTECTION





FILTER TECHNOLOGY

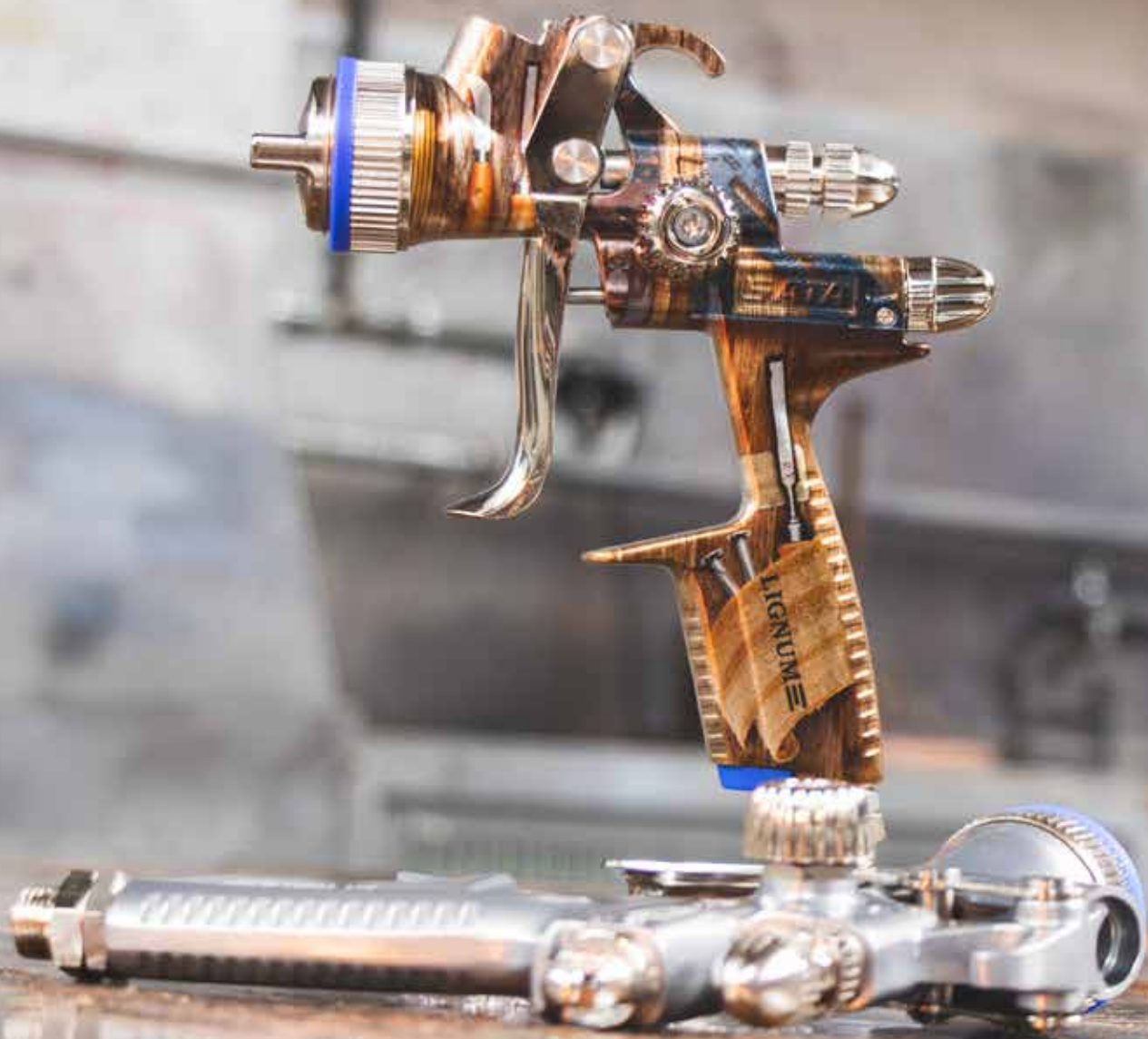
ADDITIONAL PRODUCTS

MERCHANDISING ITEMS



## Extensions for SATAjet 1000 B RP

Standard nozzle		EURO
154211	Extension with standard nozzle (0°), 20 cm with nozzle set 1.6 RP for SATAjet 1000 B RP	<b>360,60 (4)</b>
		
154229	Extension with standard nozzle (0°), 30 cm with nozzle set 1.6 RP for SATAjet 1000 B RP	<b>415,50 (4)</b>
154237	Extension with standard nozzle (0°), 40 cm with nozzle set 1.6 RP for SATAjet 1000 B RP	<b>470,40 (4)</b>
Diagonal spray nozzle		EURO
154252	Extension with diagonal spray nozzle (45°), 20 cm with nozzle set 1.6 RP for SATAjet 1000 B RP	<b>325,40 (4)</b>
		
154260	Extension with diagonal spray nozzle (45°), 30 cm with nozzle set 1.6 RP for SATAjet 1000 B RP	<b>380,30 (4)</b>
154278	Extension with diagonal spray nozzle (45°), 40 cm with nozzle set 1.6 RP for SATAjet 1000 B RP	<b>435,20 (4)</b>
178533	Extension with diagonal spray nozzle (75°), swivelling, 40 cm with nozzle set 1.6 RP for SATAjet 1000 B RP, preferably with BVD pressurized cup	<b>590,20 (4)</b>
185520	Extension with diagonal spray nozzle (75°), swivelling, 20 cm with nozzle set 1.6 RP for SATAjet 1000 B RP, preferably with BVD pressurized cup	<b>480,40 (4)</b>
Angular head nozzle		EURO
154294	Extension with angular head nozzle (90°), 20 cm with nozzle set 1.6 RP for SATAjet 1000 B RP	<b>555,20 (4)</b>
		
154302	Extension with diagonal spray nozzle (90°), 30 cm with nozzle set 1.6 RP for SATAjet 1000 B RP	<b>610,10 (4)</b>
154310	Extension with angular head nozzle (90°), 40 cm with nozzle set 1.6 RP for SATAjet 1000 B RP	<b>665,00 (4)</b>
Rotary nozzle		EURO
196162	Extension with rotary nozzle (360°), 20 cm with nozzle set 1.6 RP for SATAjet 1000 B RP, function exclusively with SATA BVD pressurized cup	<b>343,80 (4)</b>
		
196170	Extension with rotary nozzle (360°), 30 cm with nozzle set 1.6 RP for SATAjet 1000 B RP, function exclusively with SATA BVD pressurized cup	<b>398,70 (4)</b>
196188	Extension with rotary nozzle (360°), 40 cm with nozzle set 1.6 RP for SATAjet 1000 B RP, function exclusively with SATA BVD pressurized cup	<b>453,60 (4)</b>



# SATAjet 1000 B Lignum 3 RP/HVLP



Technical Data	RP	HVLP
Recommended air inlet pressure	2,0 bar	2,0 bar
Air inlet pressure field of application	1,5 - 2,0 bar	2,0 bar
Recommended spraying distance	17 - 21 cm	13 - 17 cm
Air consumption	275 NI/min	350 NI/min

	1,3	1,4	1,6	1,7	1,8	1,9	2,0	2,5	EURO
--	-----	-----	-----	-----	-----	-----	-----	-----	------

**Spray gun with 0.6 l QCC reusable plastic gravity flow cup with swivel joint**

RP	1107805	-	1107813	-	1107821	-	1107839	1107847	<b>425,00 (1)</b>
HVLP	-	1107772	-	1107780	-	1107798	-	-	<b>480,00 (1)</b>

**Nozzle set**

RP	149161	-	149179	-	150417	-	149187	151332	<b>159,20 (3)</b>
HVLP	-	149195	-	149203	-	149211	-	-	<b>159,20 (3)</b>

	0,8	1,0	2,1	3,0	2,5 HV	3,0 HV	4,0	5,0	EURO
--	-----	-----	-----	-----	--------	--------	-----	-----	------

**Nozzle set**

RP	151316	151324	-	151340	-	-	-	-	<b>159,20 (3)</b>
HVLP	-	-	149229	-	-	-	-	-	<b>159,20 (3)</b>

**Nozzle set - for high viscosity materials**

RP	-	-	-	-	222372	222380	-	-	<b>161,40 (3)</b>
----	---	---	---	---	--------	--------	---	---	-------------------

**Nozzle set - large nozzle sizes**

RP	-	-	-	-	-	-	154187	154195	<b>180,20 (3)</b>
----	---	---	---	---	---	---	--------	--------	-------------------

SPRAY GUNS

CUP SYSTEMS

BREATHING PROTECTION

FILTER TECHNOLOGY

ADDITIONAL PRODUCTS

MERCHANDISING ITEMS

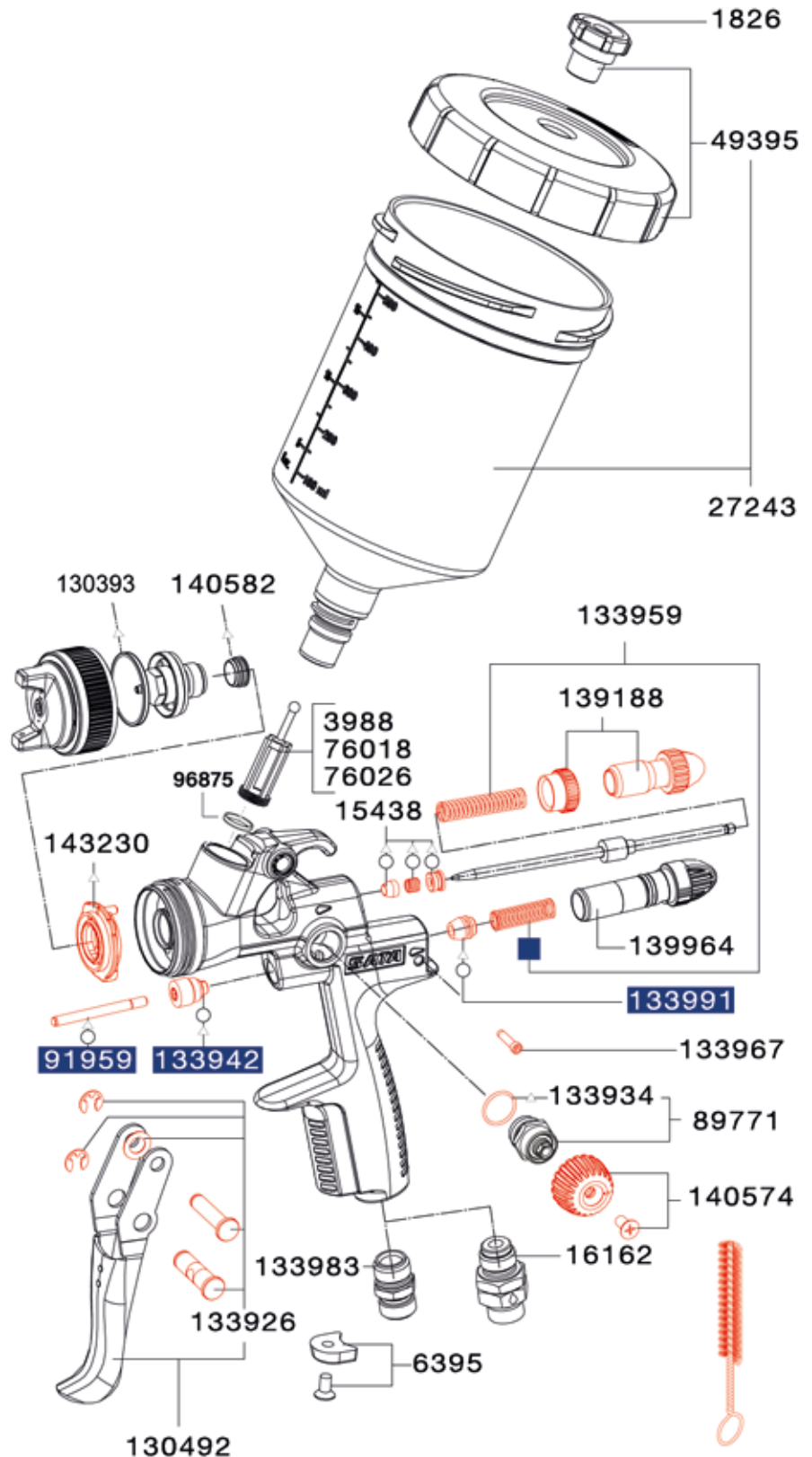
Spare parts

SATAjet 1000 B

Lignum 3

EURO

1097379	12,50 (3)
Universal spanner (pack of 3 pieces)	
130393	3,70 (3)
Sealing ring for air cap ring SATAjet 100 and 1000	
130492	35,50 (3)
Trigger kit	
133926	20,60 (3)
Trigger sleeve kit	
133934	5,70 (3)
Sealing (packing unit 3 pieces) for spindle	
133942	22,30 (3)
Seal retainer, cpl.	
133959	18,80 (3)
Pressure spring (3 pieces) for paint needle and air piston	
133967	9,10 (3)
Adjustment screw (packing unit 3 pieces) for air micrometer	
133991	8,20 (3)
Air piston head (packing unit 3 pieces)	
139188	21,40 (3)
Material flow control with counter nut	
139964	39,20 (3)
Air micrometer	
140574	33,20 (3)
Control knob with screw	
140582	20,30 (3)
Sealing element (packing unit 5 pieces) for fluid tip	
143230	21,20 (3)
Air distribution ring (packing unit 3 pieces)	
15438	18,60 (3)
Paint needle packing	
16162	36,50 (3)
Swivel joint	
1826	21,20 (3)
Anti-drip device (packing unit 4 pieces)	
27243	59,70 (3)
Reusable plastic cup, 0.6 l with QCC without fine thread for SATAjet 5000 series, jet 4000 B, jet 3000 B, jet 2000, jet 1000 B, jet 100 B, jet RP, minijet 4400 B	
3988	26,80 (3)
Paint strainer, 300 µm (packing unit 10 pieces)	
49395	24,30 (3)
Screw-on lid for 0.6 l PVC cup with drip-catching ring and non-drip device	
6395	6,80 (3)
CCS Clips, green, blue, red, black (packing unit 4 pieces)	
76018	225,90 (3)
Paint strainer, 300 µm (packing unit 100 pieces)	
76026	992,00 (3)
Paint strainer, 300 µm (packing unit 500 pieces)	
89771	51,10 (3)
Spindle, cpl., f. round / flat spray control SATAjet 2000 HVLP	
91959	10,90 (3)
Air piston rod	
96875	1,00 (3)
PVC insert for paint spray guns with QCC cup connection	



Tool kit	EURO
9050 Universal spanner, Cleaning brush, Allen wrench 4 mm width, Allen wrench 2 mm width, Extraction tool, Paint strainer	23,20 (3)

Repair kit	EURO
130542 Repair kit	72,90 (3)
92759 Air piston service unit	57,00 (3)
183780 Sealing kit	38,60 (3)
1173260 Maintenance Set	39,50 (3)

# SATA spray master RP



<b>Technical Data</b>	<b>RP</b>
Recommended air inlet pressure	2,0 bar
Air inlet pressure field of application	1,0 - 2,0 bar
Recommended spraying distance	17 - 21 cm
Air consumption	230 NI/min

	SM W	1,7 W	2,0 W	EURO
<b>Spray gun</b>				
RP	72900	73734	74120	<b>865,00 (5)</b>
<b>Nozzle set</b>				
RP	77982	73791	78279	<b>216,60 (4)</b>

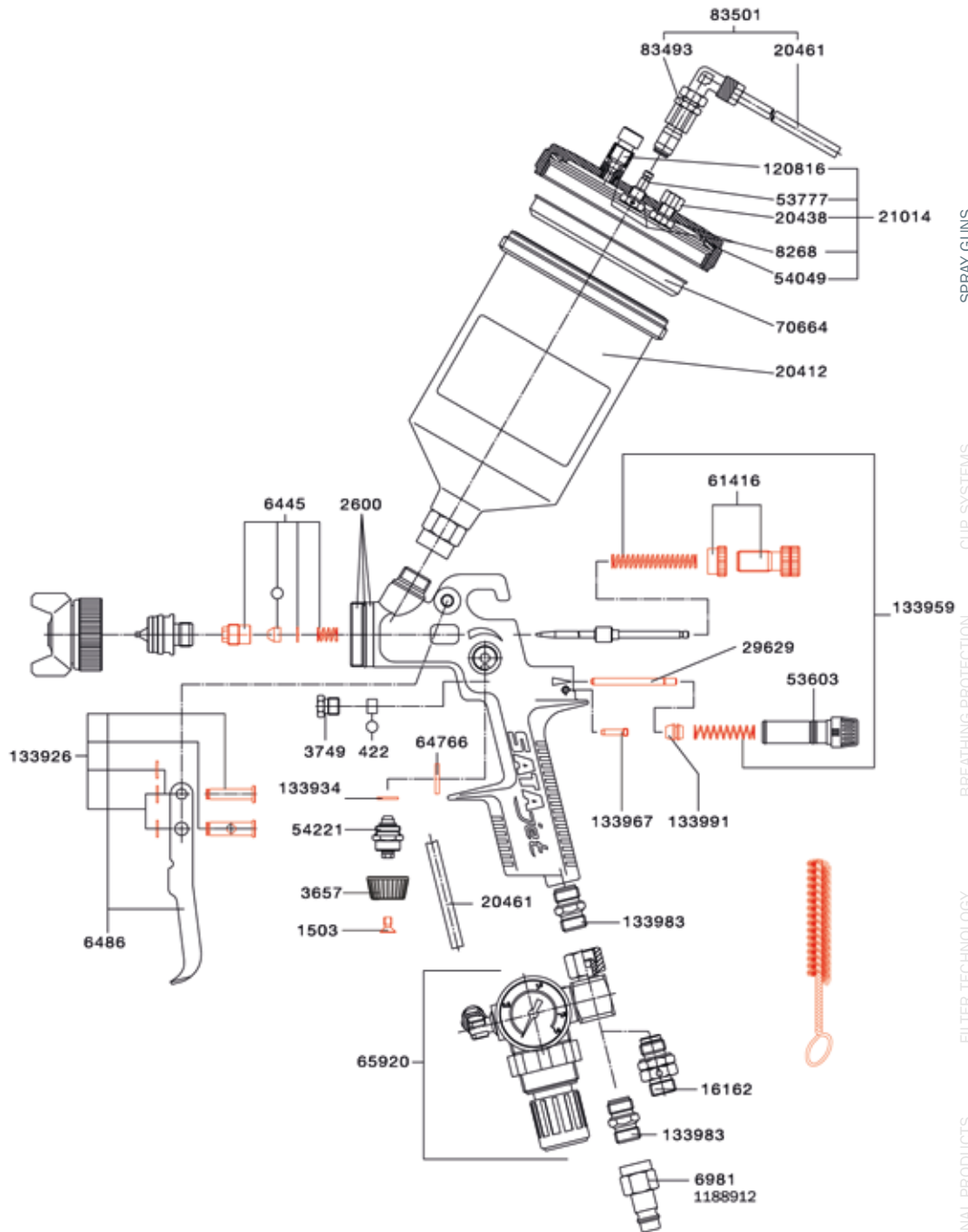
SPRAY GUNS  
CUP SYSTEMS  
BREATHING PROTECTION  
FILTER TECHNOLOGY  
ADDITIONAL PRODUCTS  
MERCHANDISING ITEMS



Spare parts

SATA spray master

RP	EURO
1188912	19,00 (1)
SATA quick coupling nipple G 1/4" (female thread)	
120816	46,90 (4)
Pressure release screw (packing unit 2 pieces)	
133926	20,60 (3)
Trigger sleeve kit	
133934	5,70 (3)
Sealing (packing unit 3 pieces) for spindle	
133959	18,80 (3)
Pressure spring (3 pieces) for paint needle and air piston	
133967	9,10 (3)
Adjustment screw (packing unit 3 pieces) for air micrometer	
133983	13,40 (3)
Air connection piece 1/4" male thread	
133991	8,20 (3)
Air piston head (packing unit 3 pieces)	
1503	2,80 (3)
Countersunk screw M4 x 8 DIN 965, stainless steel, for micrometer und round/flat spray control	
16162	36,50 (3)
Swivel joint	
20412	83,10 (3)
0.7 l pressure pot, aluminium without lid	
20438	27,90 (3)
Safety pressure relief valve BVD	
20461	10,40 (3)
Plastic air hose for BVD and agitator cup	
21014	110,80 (3)
Aluminium lid, cpl.	
2600	63,60 (3)
Service unit for nozzle insert for SATAjet/B, H, K and NR 92, consisting of nozzle insert, distribution plate and sealing ring	
29629	9,50 (3)
Air piston rod	
3657	23,80 (3)
Control knob	
3749	10,90 (3)
Stuffing box for air piston SATAjet, KL, HKD and MC-B	
422	3,30 (3)
Gasket for air piston	
53603	46,50 (3)
Air micrometer	
53777	9,10 (3)
Air connection for aluminium lid	
54049	13,40 (3)
Sealing ring (packing unit 4 pieces)	
54221	35,30 (3)
Spindle complete, for SATAjet/90, SATAjet, regulation valve and MC-B	
61416	18,80 (3)
Material flow control with counter nut	
6445	19,20 (3)
Paint needle packing	
64766	6,80 (3)
Washer	
6486	24,80 (3)
Trigger kit	
65920	194,40 (4)
Control fittings, complete, for BVD pressurized cup connection kit (GR and LM)	
6981	44,70 (1)
SATA quick coupling nipple G 1/4" (female thread) (packing unit 5 pieces)	
70664	18,60 (3)
Anti-drip device (packing unit 10 pieces)	
8268	2,10 (4)
Sealing ring	
83493	57,50 (3)
Connection for pressurised cup, cpl.	
83501	66,30 (3)
Air hose cpl. w. pressurized cup connection, for SATA Spray-Master	



Tool kit	EURO
9654 Universal spanner, Cleaning brush, Allen wrench 4 mm width, Allen wrench 2 mm width, Paint strainer, Socket wrench 7 mm width	23,20 (3)



Repair kit	EURO
70623 Repair kit	121,60 (3)
9829 Sealing kit	21,20 (3)
73254 Repair kit for control fitting	44,90 (4)

All prices are recommended list prices. Errors, technical modifications and printing errors reserved.

SPRAY GUNS

CUP SYSTEMS

BREATHING PROTECTION

FILTER TECHNOLOGY

ADDITIONAL PRODUCTS

MERCHANDISING ITEMS

# SATAjet 3000 K

## RP/HVLP



Technical Data	RP	HVLP
Recommended air inlet pressure	2,5 bar	2,5 bar
Air inlet pressure field of application	2,5 - 3,0 bar	2,5 bar
Recommended spraying distance	17 - 21 cm	10 - 15 cm
Air consumption	430 NI/min	560 NI/min
Max. material inlet pressure	10,0 bar	10,0 bar

0,8	1,0	1,1	1,2	1,3	1,4	1,5	1,6	EURO
-----	-----	-----	-----	-----	-----	-----	-----	------

**Spray gun**

RP	92932	-	93336	-	93344	-	93351	-	727,00 (1)
HVLP	93385	92924	-	93393	-	193656	-	96164	727,00 (1)

**Nozzle set**

RP	92494	-	92502	-	92510	-	92528	-	217,60 (3)
HVLP	92783	92791	-	92809	-	191379	-	92817	217,60 (3)

1,7	2,0							EURO
-----	-----	--	--	--	--	--	--	------

**Spray gun**

RP	93369	93377	-	-	-	-	-	-	727,00 (1)
HVLP	-	96172	-	-	-	-	-	-	727,00 (1)

**Nozzle set**

RP	95422	95356	-	-	-	-	-	-	217,60 (3)
HVLP	-	92825	-	-	-	-	-	-	217,60 (3)

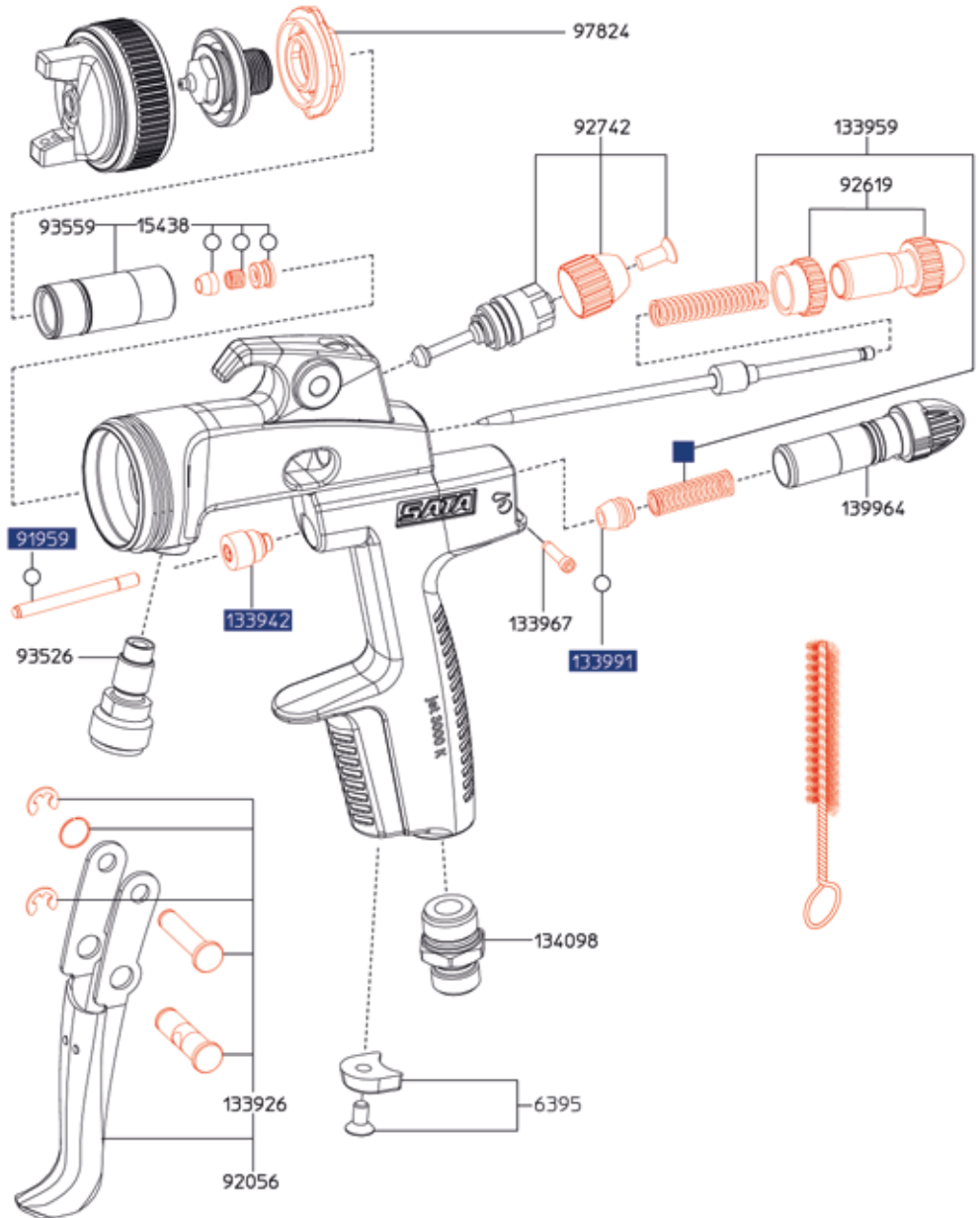
**Required accessories for SATA pressure fed spray guns**

	EURO
92031 SATA paint tube G 3/8" (female thread) - 3/8" (male thread) for SATA pressure fed spray guns	79,10 (1)
38265 SATA paint strainer 60 msh, G 3/8" (female thread) and 3/8" (male thread) for SATA pressure fed spray gun except for SATAminijet	153,40 (1)
12260 Sieve 60 msh (packing unit 4 pieces) for SATA paint strainer	80,10 (4)
12278 Sieve, 100 msh (packing unit 4 pieces) for SATA paint strainer	80,10 (4)
74856 Strainer kit: Sieve 200 msh (4 pcs.) strainer holder ( 2 pcs.), screw (1 pcs.) for SATA strainer	81,40 (4)



Upon request: spray guns and nozzle sets with surface treatment for increased lifetime of the fluid tip and paint needle.

Spare parts	
SATAjet 3000 K	EURO
1097379	12,50 (3)
Universal spanner (pack of 3 pieces)	
133926	20,60 (3)
Trigger sleeve kit	
133942	22,30 (3)
Seal retainer, cpl.	
133959	18,80 (3)
Pressure spring (3 pieces) for paint needle and air piston	
133967	9,10 (3)
Adjustment screw (packing unit 3 pieces) for air micrometer	
133991	8,20 (3)
Air piston head (packing unit 3 pieces)	
134098	12,40 (3)
Air connection piece 1/4" (male thread)	
139964	39,20 (3)
Air micrometer	
15438	18,60 (3)
Paint needle packing	
6395	6,80 (3)
CCS Clips, green, blue, red, black (packing unit 4 pieces)	
91959	10,90 (3)
Air piston rod	
92056	35,50 (3)
Trigger kit	
92619	19,90 (3)
Material flow control with counter nut	
92742	60,90 (3)
Round/flat spray control	
93526	29,60 (4)
Material connection, stainless steel	
93559	54,40 (3)
Insert, stainless steel	
97824	21,60 (3)
Air distribution ring (3 pieces)	



Tool kit	EURO
9050 Universal spanner, Cleaning brush, Allen wrench 4 mm width, Allen wrench 2 mm width, Extraction tool, Paint strainer	23,20 (3)



Repair kit	EURO
92767 Repair kit	85,80 (3)
92759 Air piston service unit	57,00 (3)
183780 Sealing kit	38,60 (3)

# SATAjet 1000 K

RP



<b>Technical Data</b>	<b>RP</b>
Recommended air inlet pressure	2,5 bar
Air inlet pressure field of application	2,5 bar
Recommended spraying distance	17 - 21 cm
Air consumption	410 NI/min
Max. material inlet pressure	10,0 bar

0,8	1,1	1,3	1,5	1,7	2,0	2,5	3,0		EURO
-----	-----	-----	-----	-----	-----	-----	-----	--	------

**Spray gun**

RP	132092	132100	132118	132126	132134	132142	153486	153494	<b>518,00 (1)</b>
----	--------	--------	--------	--------	--------	--------	--------	--------	-------------------

**Spray gun with lifetime prolonging surface on fluid tip and paint needle**

RP	141903	141911	141929	141937	141945	141952	-	-	<b>616,00 (1)</b>
----	--------	--------	--------	--------	--------	--------	---	---	-------------------

**Nozzle set**

RP	132159	132167	132175	132183	132191	132209	153528	153536	<b>170,50 (3)</b>
----	--------	--------	--------	--------	--------	--------	--------	--------	-------------------

**Nozzle set with lifetime prolonging surface on fluid tip and paint needle**

RP	141648	141655	141663	141689	141697	141705	159442	-	<b>279,50 (3)</b>
----	--------	--------	--------	--------	--------	--------	--------	---	-------------------

4,0	2,5 - 55 SK	3,0 - 55 SK	4,0 - 79 SK	5,0					EURO
-----	-------------	-------------	-------------	-----	--	--	--	--	------

**Spray gun - large nozzle sizes**

RP	154336	-	-	-	-	-	-	-	<b>522,00 (1)</b>
----	--------	---	---	---	---	---	---	---	-------------------

**Spray gun with slit nozzle**

RP	-	154344	154351	154369	-	-	-	-	<b>563,00 (1)</b>
----	---	--------	--------	--------	---	---	---	---	-------------------

**Nozzle set - large nozzle sizes**

RP	154377	-	-	-	154385	-	-	-	<b>190,90 (3)</b>
----	--------	---	---	---	--------	---	---	---	-------------------

**Slit nozzle set**

RP	-	154393	154401	154419	-	-	-	-	<b>242,40 (3)</b>
----	---	--------	--------	--------	---	---	---	---	-------------------

**SATAjet 1000 K RP for adhesive applications**

EURO

161232	<b>671,00 (1)</b>
SATAjet 1000 K RP nozzle 1.6 D twisted round spray, material connection 3/8" (male thread)	
159707	<b>173,50 (3)</b>
Nozzle set SATAjet 1000 K RP 1.6 twisted round spray	
211979	<b>583,00 (1)</b>
SATAjet 1000 K RP nozzle 1.3 DA for dispersion adhesives, material connection 3/8" (male thread)	
211961	<b>184,60 (3)</b>
Nozzle set SATAjet 1000 K RP 1.3 DA, for dispersion adhesives	

3,0 - 55 SK: 55 = Angle / SK = Sintered ceramic

SPRAY GUNS

CUP SYSTEMS

BREATHING PROTECTION

FILTER TECHNOLOGY

ADDITIONAL PRODUCTS

MERCHANDISING ITEMS

# SATAjet 1000 K

## HVLP



### Technical Data

### HVLP

Recommended air inlet pressure	2,5 bar
Air inlet pressure field of application	2,5 bar
Recommended spraying distance	10 - 15 cm
Air consumption	530 NI/min
Max. material inlet pressure	10,0 bar



	0,8	1,0	1,2	1,4	1,6	2,0	EURO
<b>Spray gun</b>							
HVLP	139196	139204	139212	193664	139220	139238	<b>518,00 (1)</b>
<b>Spray gun with lifetime prolonging surface on fluid tip and paint needle</b>							
HVLP	141960	141978	141986	-	142000	142018	<b>616,00 (1)</b>
<b>Nozzle set</b>							
HVLP	139253	139261	139279	191387	139287	139295	<b>170,50 (3)</b>
<b>Nozzle set with lifetime prolonging surface on fluid tip and paint needle</b>							
HVLP	141762	141770	141804	-	141812	141838	<b>279,50 (3)</b>

### Required accessories for SATA pressure fed spray guns

EURO

38265  
SATA paint strainer 60 msh, G 3/8" (female thread) and 3/8" (male thread) for SATA pressure fed spray gun except for SATAminijet

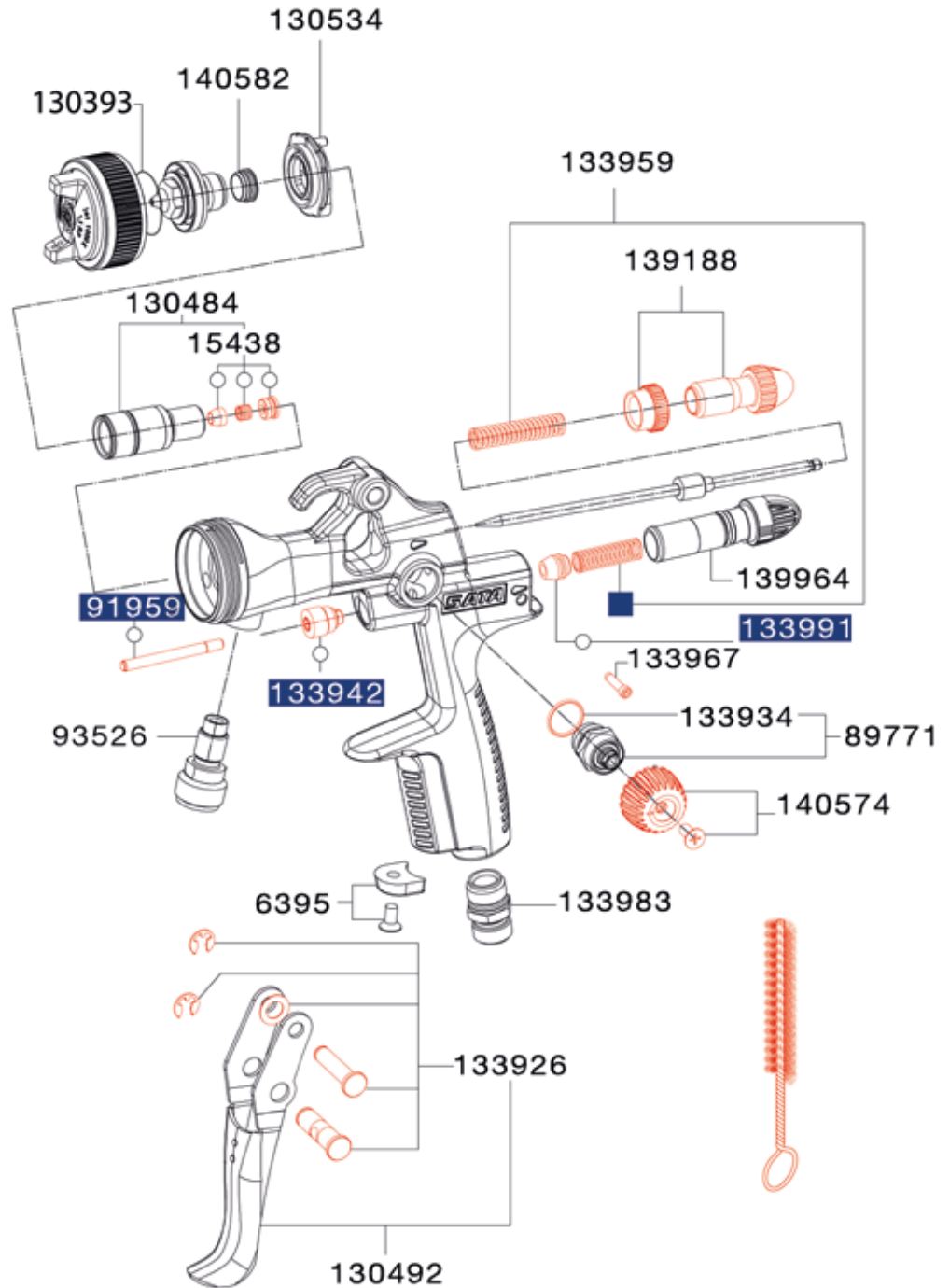
**153,40 (1)**

92031  
SATA paint tube G 3/8" (female thread) - 3/8" (male thread) for SATA pressure fed spray guns

**79,10 (1)**







Spare parts	
SATAjet 1000 K	EURO
1097379	12,50 (3)
Universal spanner (pack of 3 pieces)	
130393	3,70 (3)
Sealing ring for air cap ring SATAjet 100 and 1000	
130484	59,30 (3)
Insert, cpl.	
130492	35,50 (3)
Trigger kit	
130534	21,60 (3)
Air distribution ring (packing unit 3 pieces)	
133926	20,60 (3)
Trigger sleeve kit	
133934	5,70 (3)
Sealing (packing unit 3 pieces) for spindle	
133942	22,30 (3)
Seal retainer, cpl.	
133959	18,80 (3)
Pressure spring (3 pieces) for paint needle and air piston	
133967	9,10 (3)
Adjustment screw (packing unit 3 pieces) for air micrometer	
133983	13,40 (3)
Air connection piece 1/4" male thread	
133991	8,20 (3)
Air piston head (packing unit 3 pieces)	
139188	21,40 (3)
Material flow control with counter nut	
139964	39,20 (3)
Air micrometer	
140574	33,20 (3)
Control knob with screw	
140582	20,30 (3)
Sealing element (packing unit 5 pieces) for fluid tip	
15438	18,60 (3)
Paint needle packing	
6395	6,80 (3)
CCS Clips, green, blue, red, black (packing unit 4 pieces)	
89771	51,10 (3)
Spindle, cpl., f. round / flat spray control SATAjet 2000 HVLP	
91959	10,90 (3)
Air piston rod	
93526	29,60 (4)
Material connection, stainless steel	



Tool kit	EURO
9050 Universal spanner, Cleaning brush, Allen wrench 4 mm width, Allen wrench 2 mm width, Extraction tool, Paint strainer	23,20 (3)

Repair kit	EURO
130542 Repair kit	72,90 (3)
92759 Air piston service unit	57,00 (3)
183780 Sealing kit	38,60 (3)

## Extensions for SATAjet 1000 K RP

Standard nozzle		Euro
154435	Extension with standard nozzle (0°), 20 cm with nozzle set 1.5 RP for SATAjet 1000 K RP	<b>367,60 (4)</b>
		
154443	Extension with standard nozzle (0°), 30 cm with nozzle set 1.5 RP for SATAjet 1000 K RP	<b>422,50 (4)</b>
154450	Extension with standard nozzle (0°), 40 cm with nozzle set 1.5 RP for SATAjet 1000 K RP	<b>477,40 (4)</b>
Diagonal spray nozzle		Euro
154476	Extension with diagonal spray nozzle (45°), 20 cm with nozzle set 1.6 RP for SATAjet 1000 K RP	<b>325,40 (4)</b>
		
154484	Extension with diagonal spray nozzle (45°), 30 cm with nozzle set 1.6 RP for SATAjet 1000 K RP	<b>380,30 (4)</b>
154492	Extension with diagonal spray nozzle (45°), 40 cm with nozzle set 1.6 RP for SATAjet 1000 K RP	<b>435,20 (4)</b>
Angular head nozzle		Euro
154559	Extension with angular head nozzle (90°), 20 cm with nozzle set 1.5 RP for SATAjet 1000 K RP	<b>562,20 (4)</b>
		
154567	Extension with angular head nozzle (90°), 30 cm with nozzle set 1.6 RP for SATAjet 1000 K RP	<b>617,10 (4)</b>
154575	Extension with angular head nozzle (90°), 40 cm with nozzle set 1.5 RP for SATAjet 1000 K RP	<b>672,00 (4)</b>
Rotary nozzle		Euro
154518	Extension with rotary nozzle (360°), 20 cm with nozzle set 1.6 RP for SATAjet 1000 K RP	<b>343,80 (4)</b>
		
154526	Extension with rotary nozzle (360°), 30 cm with nozzle set 1.6 RP for SATAjet 1000 K RP	<b>398,70 (4)</b>
154534	Extension with rotary nozzle (360°), 40 cm with nozzle set 1.6 RP for SATAjet 1000 K RP	<b>453,60 (4)</b>

# SATAmijnjet 1000 K

## RP/HVLP



Technical Data	RP	HVLP
Recommended air inlet pressure	2,5 bar	2,0 bar
Air inlet pressure field of application	2,5 bar	2,0 - 2,5 bar
Recommended spraying distance	17 - 21 cm	10 - 15 cm
Air consumption	200 NI/min	120 NI/min
Max. material inlet pressure	10,0 bar	10,0 bar

	0,3	0,5	0,8	1,0	1,2	1,4	EURO
<b>Spray gun</b>							
RP	187450	187468	187476	187484	187492	197152	<b>466,00 (1)</b>
HVLP	190280	190298	190306	190314	190322	-	<b>466,00 (1)</b>
<b>Nozzle set</b>							
RP	187625	187633	187641	187658	187666	197160	<b>146,30 (3)</b>
HVLP	190348	190355	190363	190371	190389	-	<b>146,30 (3)</b>

### Required Accessories

187419  
SATA paint tube G 1/4 female thread - 1/4" male thread for SATAmijnjet 1000 K

EURO

**81,30 (1)**



187690  
SATA paint strainer 60 msh, 1/4" (male thread) for SATAmijnjet 1000 K

**153,40 (1)**



199018  
SATA paint tube G 1/4" (female thread) - 3/8" (male thread) for SATAmijnjet 1000 K

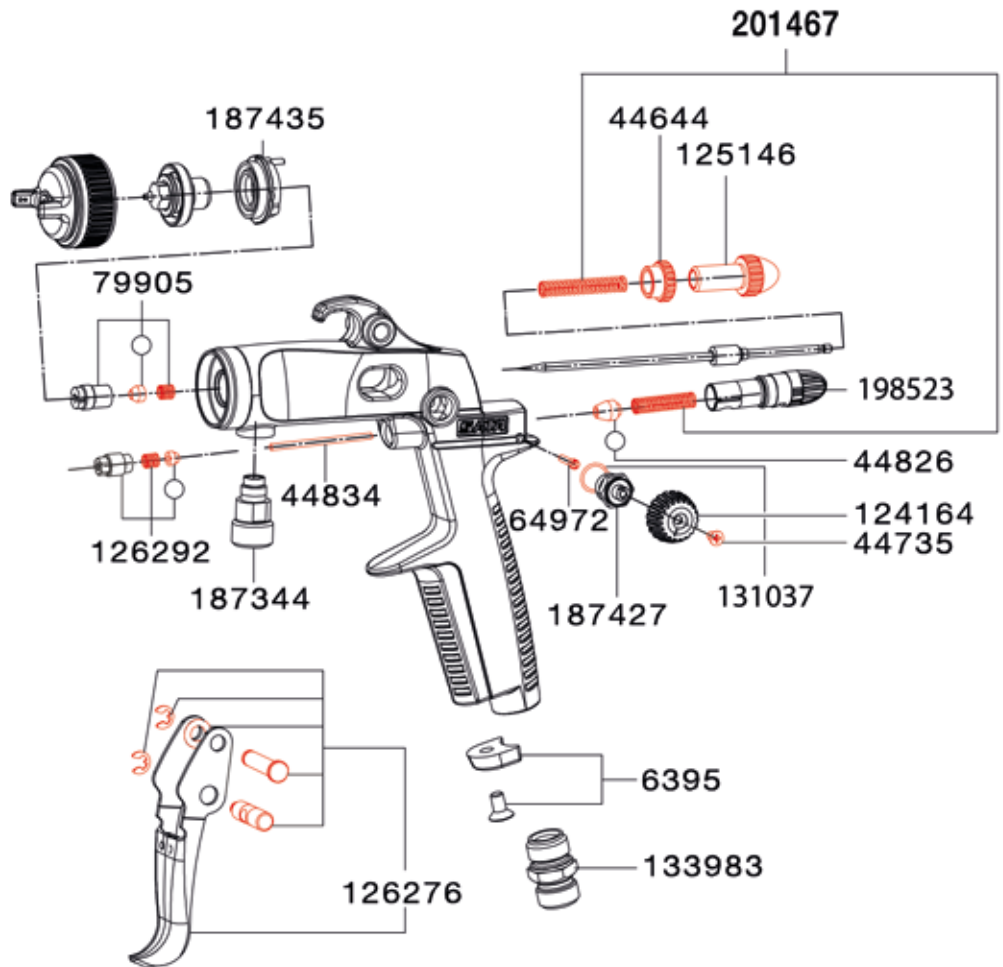
**81,30 (1)**



You will find further accessories at the end of this section.

**Spare parts**

SATAmijet 1000 K	EURO
124164	14,60 (3)
Control knob	
125146	14,10 (3)
Material flow control screw	
126276	19,80 (3)
Trigger kit	
126292	15,30 (3)
Packing kit air piston rod SATAmijet 3000 B HVLP, minijet 4 HVLP	
131037	2,40 (3)
O-Ring 7 x 1 mm SATAmijet 3000 B HVLP, minijet 4 HVLP	
133983	13,40 (3)
Air connection piece 1/4" male thread	
187344	29,60 (4)
Material connection, stainless steel	
187427	51,10 (3)
Spindle for round/flat control	
187435	21,60 (3)
Air distribution ring (packing unit 3 pieces)	
198523	27,00 (3)
Air micrometer, complete	
201467	18,50 (3)
Pressure spring (each 3 pieces) for paint needle and air piston	
44644	6,80 (3)
Counter nut	
44735	2,80 (3)
Countersunk screw M 2.5 x 5, VA	
44826	7,70 (3)
Air piston head	
44834	4,00 (3)
Air piston rod	
6395	6,80 (3)
CCS Clips, green, blue, red, black (packing unit 4 pieces)	
64972	2,80 (3)
Adjustment screw for air micrometer	
79905	13,40 (3)
Paint needle packing	



Tool kit	EURO
125856 Universal spanner, Cleaning brush, Extraction tool, Wrench	22,30 (3)



Repair kit	EURO
126284 Repair kit	78,60 (3)
50658 Sealing kit	21,20 (3)

Article

Material and air connection

SATAjet 3000 K, 1000 K

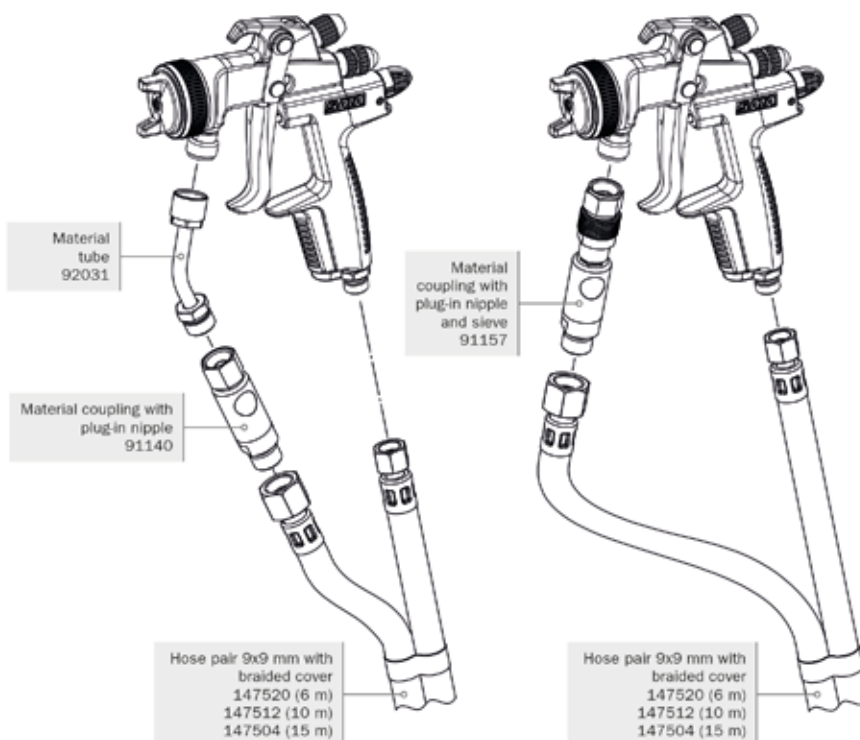
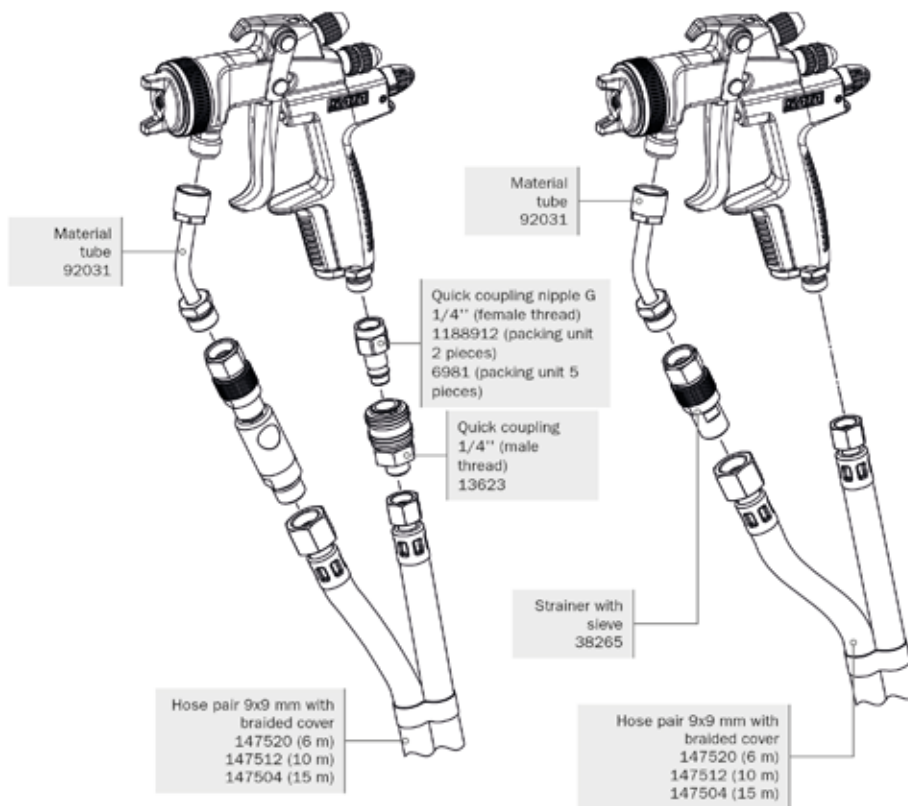
	EURO
1171751	<b>70,00 (3)</b>
Ball tap (Teflon) with bilateral thread G 3/8" (female), 9 mm hose spout	
1188912	<b>19,00 (1)</b>
SATA quick coupling nipple G 1/4" (female thread)	
13623	<b>22,40 (1)</b>
SATA quick coupling 1/4" (male thread)	
147504	<b>473,50 (4)</b>
SATA hose pair 9 x 9 mm, 15 m, with covering fabric netting, G 3/8" and G 1/2" (material), G 1/4" (air) (female thread)	
147512	<b>349,40 (4)</b>
SATA hose pair 9 x 9 mm, 10 m, with covering fabric netting, G 3/8" and G 1/2" (material), G 1/4" (air) (female thread)	
147520	<b>256,50 (4)</b>
SATA hose pair 9 x 9 mm, 6 m, with covering fabric netting, G 3/8" and G 1/2" (material), G 1/4" (air) (female thread)	
38265	<b>153,40 (1)</b>
SATA paint strainer 60 msh, G 3/8" (female thread) and 3/8" (male thread)	
6981	<b>44,70 (1)</b>
SATA quick coupling nipple G 1/4" (female thread) (packing unit 5 pieces)	
91140	<b>290,20 (5)</b>
SATA material coupling 3/8" (male thread) with plug-in nipple G 3/8" (female thread)	
91157	<b>348,20 (5)</b>
SATA material coupling 3/8" (male thread) with plug-in nipple G 3/8" (female thread) and material strainer 60 msh	
92031	<b>79,10 (1)</b>
SATA paint tube G 3/8" (female thread) - 3/8" (male thread)	

Spare sieves

Material and air connection

SATAjet 3000 K, 1000 K

	EURO
12260	<b>80,10 (4)</b>
Sieve 60 msh (packing unit 4 pieces)	
12278	<b>80,10 (4)</b>
Sieve, 100 msh (packing unit 4 pieces)	
74856	<b>81,40 (4)</b>
Strainer kit: Sieve 200 msh (4 pcs.) strainer holder ( 2 pcs.), screw (1 pcs.)	



SPRAY GUNS

CUP SYSTEMS

BREATHING PROTECTION

FILTER TECHNOLOGY

ADDITIONAL PRODUCTS

MERCHANDISING ITEMS



**Article**

**Material and air connection**

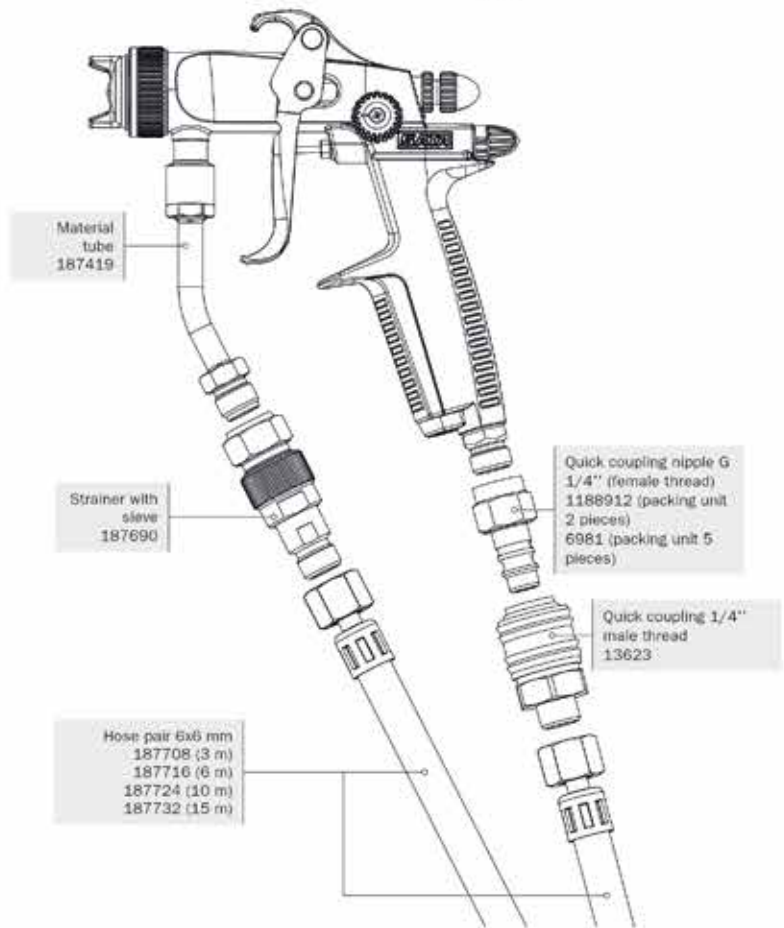
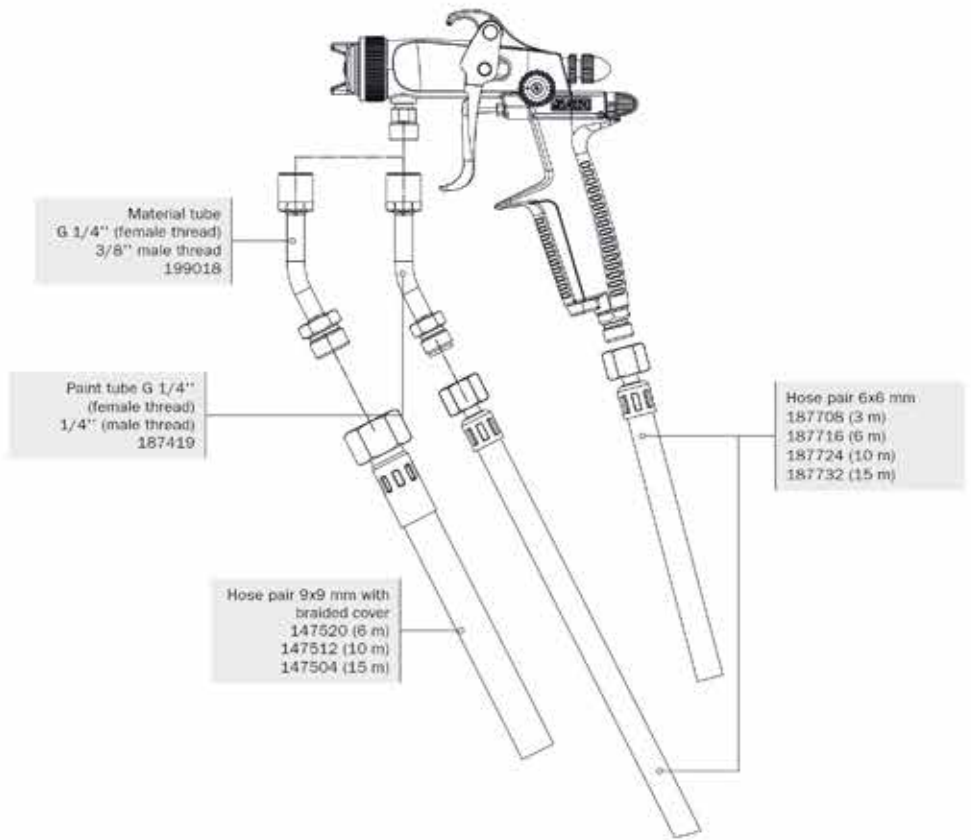
**SATAmijet 1000 K EURO**

1171751	<b>70,00 (3)</b>
Ball tap (Teflon) with bilateral thread G 3/8" (female), 9 mm hose spout	
1188912	<b>19,00 (1)</b>
SATA quick coupling nipple G 1/4" (female thread)	
13623	<b>22,40 (1)</b>
SATA quick coupling 1/4" (male thread)	
147504	<b>473,50 (4)</b>
SATA hose pair 9 x 9 mm, 15 m, with covering fabric netting, G 3/8" and G 1/2" (material), G 1/4" (air) (female thread)	
147512	<b>349,40 (4)</b>
SATA hose pair 9 x 9 mm, 10 m, with covering fabric netting, G 3/8" and G 1/2" (material), G 1/4" (air) (female thread)	
147520	<b>256,50 (4)</b>
SATA hose pair 9 x 9 mm, 6 m, with covering fabric netting, G 3/8" and G 1/2" (material), G 1/4" (air) (female thread)	
187419	<b>81,30 (1)</b>
SATA paint tube G 1/4 female thread - 1/4" male thread	
187690	<b>153,40 (1)</b>
SATA paint strainer 60 msh, 1/4" (male thread)	
187708	<b>141,00 (4)</b>
SATA hose pair 6 x 6 mm, 3 m, G 1/4" (female thread) (material and air)	
187716	<b>236,40 (4)</b>
SATA hose pair 6 x 6 mm, 6 m, G 1/4" and G 1/2" (material), G 1/4" (air) (female thread)	
187724	<b>310,60 (4)</b>
SATA hose pair 6 x 6 mm, 10 m, G 1/4" and G 1/2" (material), G 1/4" (air) (female thread)	
187732	<b>404,60 (4)</b>
SATA hose pair 6 x 6 mm, 15 m, G 1/4" and G 1/2" (material), G 1/4" (air) (female thread)	
199018	<b>81,30 (1)</b>
SATA paint tube G 1/4" (female thread) - 3/8" (male thread)	
6981	<b>44,70 (1)</b>
SATA quick coupling nipple G 1/4" (female thread) (packing unit 5 pieces)	

**Spare sieves**

**Material and air connection SATA-minijet 1000 K EURO**

12260	<b>80,10 (4)</b>
Sieve 60 msh (packing unit 4 pieces)	
12278	<b>80,10 (4)</b>
Sieve 100 msh (packing unit 4 pieces)	
74856	<b>81,40 (4)</b>
Strainer kit: Sieve 200 msh (4 pcs.) strainer holder ( 2 pcs.), screw (1 pcs.)	



All prices are recommended list prices. Errors, technical modifications and printing errors reserved.

SPRAY GUNS

CUP SYSTEMS

BREATHING PROTECTION

FILTER TECHNOLOGY

ADDITIONAL PRODUCTS

MERCHANDISING ITEMS

# SATAjet K 1800 spray mix

## spray mix



### Technical Data

Recommended air inlet pressure	variable
Recommended spraying distance	18 - 25 cm
Air consumption	120 NI/min
Max. material inlet pressure	250 bar

### SATAjet K 1800 spray mix

#### Spray mix gun

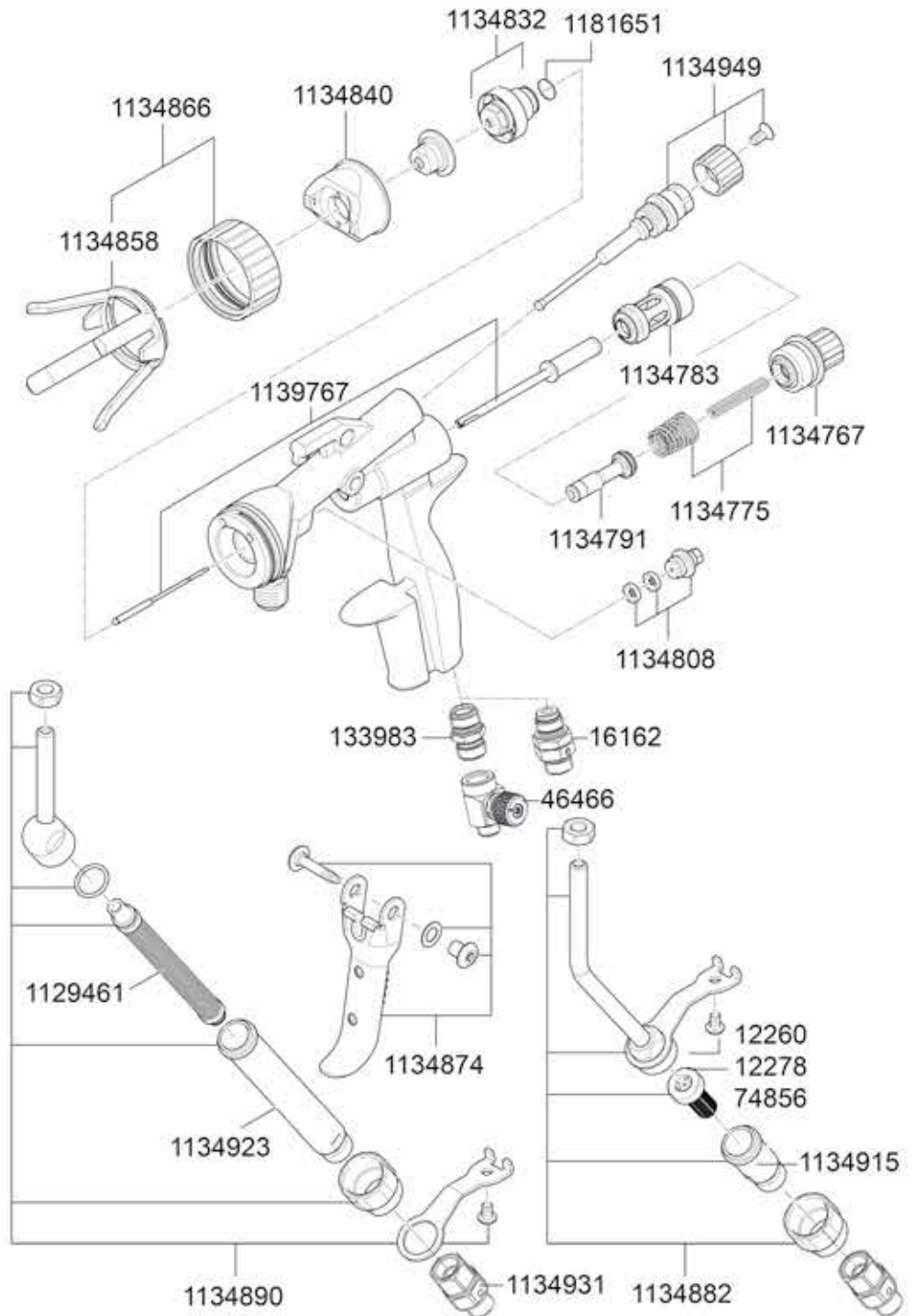
EURO

1091454	<b>876,00 (1)</b>
SATAjet K 1800 spray mix with material tube and a long material filter for insert filter, filter (100 msh), paint nozzle not included	
1090076	<b>851,00 (1)</b>
SATAjet K 1800 spray mix with material tube and a short material filter for gap filter, filter (100 msh), paint nozzle not included	
1068023	<b>775,00 (1)</b>
SATAjet K 1800 spray mix without material tube and material filter, paint nozzle not included	

Nozzle No.	Art. No.	Ø mm	Ø inch	Angle	Width	l/min at 70 bar	Strainer	Strainer	Price
<b>Fluid tip</b>									
1840	23044	0,18 mm	0,007 in	40°	18 cm	0,16 l/min	200 msh	85 µm	<b>117,60 (4)</b>
2325	7328	0,23 mm	0,009 in	25°	14 cm	0,23 l/min	200 msh	85 µm	<b>117,60 (4)</b>
2350	7435	0,23 mm	0,009 in	50°	22 cm	0,23 l/min	200 msh	85 µm	<b>117,60 (4)</b>
2360	74922	0,23 mm	0,009 in	60°	24 cm	0,23 l/min	200 msh	85 µm	<b>117,60 (4)</b>
2825	16998	0,28 mm	0,011 in	25°	14 cm	0,30 l/min	200 msh	85 µm	<b>117,60 (4)</b>
2850	50906	0,28 mm	0,011 in	50°	22 cm	0,30 l/min	200 msh	85 µm	<b>117,60 (4)</b>
2865	13771	0,28 mm	0,011 in	65°	26 cm	0,30 l/min	200 msh	85 µm	<b>117,60 (4)</b>
3325	20206	0,33 mm	0,013 in	25°	14 cm	0,45 l/min	100 msh	150 µm	<b>117,60 (4)</b>
3350	50898	0,33 mm	0,013 in	50°	23 cm	0,45 l/min	100 msh	150 µm	<b>117,60 (4)</b>
3365	13789	0,33 mm	0,013 in	65°	28 cm	0,45 l/min	100 msh	150 µm	<b>117,60 (4)</b>
3375	74930	0,33 mm	0,013 in	75°	32 cm	0,45 l/min	100 msh	150 µm	<b>117,60 (4)</b>
3390	73742	0,33 mm	0,013 in	90°	40 cm	0,45 l/min	100 msh	150 µm	<b>117,60 (4)</b>
3825	13797	0,38 mm	0,015 in	25°	15 cm	0,61 l/min	100 msh	150 µm	<b>117,60 (4)</b>
3850	7344	0,38 mm	0,015 in	50°	25 cm	0,61 l/min	100 msh	150 µm	<b>117,60 (4)</b>
3882	74948	0,38 mm	0,015 in	82°	34 cm	0,61 l/min	100 msh	150 µm	<b>117,60 (4)</b>
4650	19307	0,46 mm	0,018 in	50°	25 cm	0,95 l/min	60 msh	250 µm	<b>117,60 (4)</b>
4682	74955	0,46 mm	0,018 in	82°	35 cm	0,95 l/min	60 msh	250 µm	<b>117,60 (4)</b>
5370	150276	0,53 mm	0,021 in	70°	33 cm	1,28 l/min	60 msh	250 µm	<b>117,60 (4)</b>
6050	17004	0,60 mm	0,024 in	50°	31 cm	1,59 l/min	60 msh	250 µm	<b>117,60 (4)</b>

**Spare parts**  
**SATAjet K 1800**  
**spray mix**

	EURO
1129461	<b>24,20 (3)</b>
Insert filter, yellow, 100 mesh, pack of 10 pieces	
1134767	<b>41,80 (3)</b>
Locking screw cpl. with sealing washer	
1134775	<b>14,80 (3)</b>
Spare spring set (1 each air piston and paint needle spring)	
1134783	<b>19,10 (3)</b>
Air piston sleeve cpl.	
1134791	<b>29,90 (3)</b>
Air piston cpl.	
1134808	<b>70,30 (3)</b>
Packing screw incl. 2 pcs. paint needle packing	
1134832	<b>109,70 (3)</b>
Pre-nozzle cpl.	
1134840	<b>93,00 (3)</b>
Air cap cpl.	
1134858	<b>34,40 (3)</b>
Protection against accidental contact	
1134866	<b>51,30 (3)</b>
Air cap ring cpl.	
1134874	<b>67,00 (3)</b>
Trigger cpl. (for SATAjet K 1800 spray mix)	
1134882	<b>114,20 (3)</b>
Material connection, short, for wedge wire screen, without material filter housing	
1134890	<b>166,80 (3)</b>
Material connection, long, for inline filter, without material filter housing	
1134915	<b>80,40 (3)</b>
Material filter housing, short, for wedge wire screen	
1134923	<b>93,50 (3)</b>
Material filter housing, long, for inline filter	
1134931	<b>108,70 (3)</b>
Material swivel joint	
1134949	<b>76,70 (3)</b>
Round/flat spray fan control cpl.	
1139767	<b>101,70 (3)</b>
Paint needle cpl. (paint needle and paint needle rod)	
1181651	<b>11,50 (3)</b>
Pre-nozzle packing	
1181669	<b>7,70 (3)</b>
Air distribution ring for pre-nozzle	
12260	<b>80,10 (4)</b>
Sieve 60 msh (packing unit 4 pieces)	
12278	<b>80,10 (4)</b>
Sieve 100 msh (packing unit 4 pieces)	
133983	<b>13,40 (3)</b>
Air connection piece 1/4" male thread	
16162	<b>36,50 (3)</b>
Swivel joint	
48934	<b>55,20 (3)</b>
SATA air micrometer, 1/4" (male thread)	
74856	<b>81,40 (4)</b>
Strainer kit: Sieve 200 msh (4 pcs.) strainer holder (2 pcs.), screw (1 pcs.)	



Repair kit	EURO
1112854	<b>138,30 (3)</b>
SATA nozzle cleaning kit, includes sealing insert and cap	

# SATAjet 1000 H

## RP



**Technical Data** RP

Recommended air inlet pressure 2,0 bar  
 Air inlet pressure field of application 2,0 - 2,5 bar  
 Recommended spraying distance 17 - 21 cm  
 Air consumption 275 NI/min

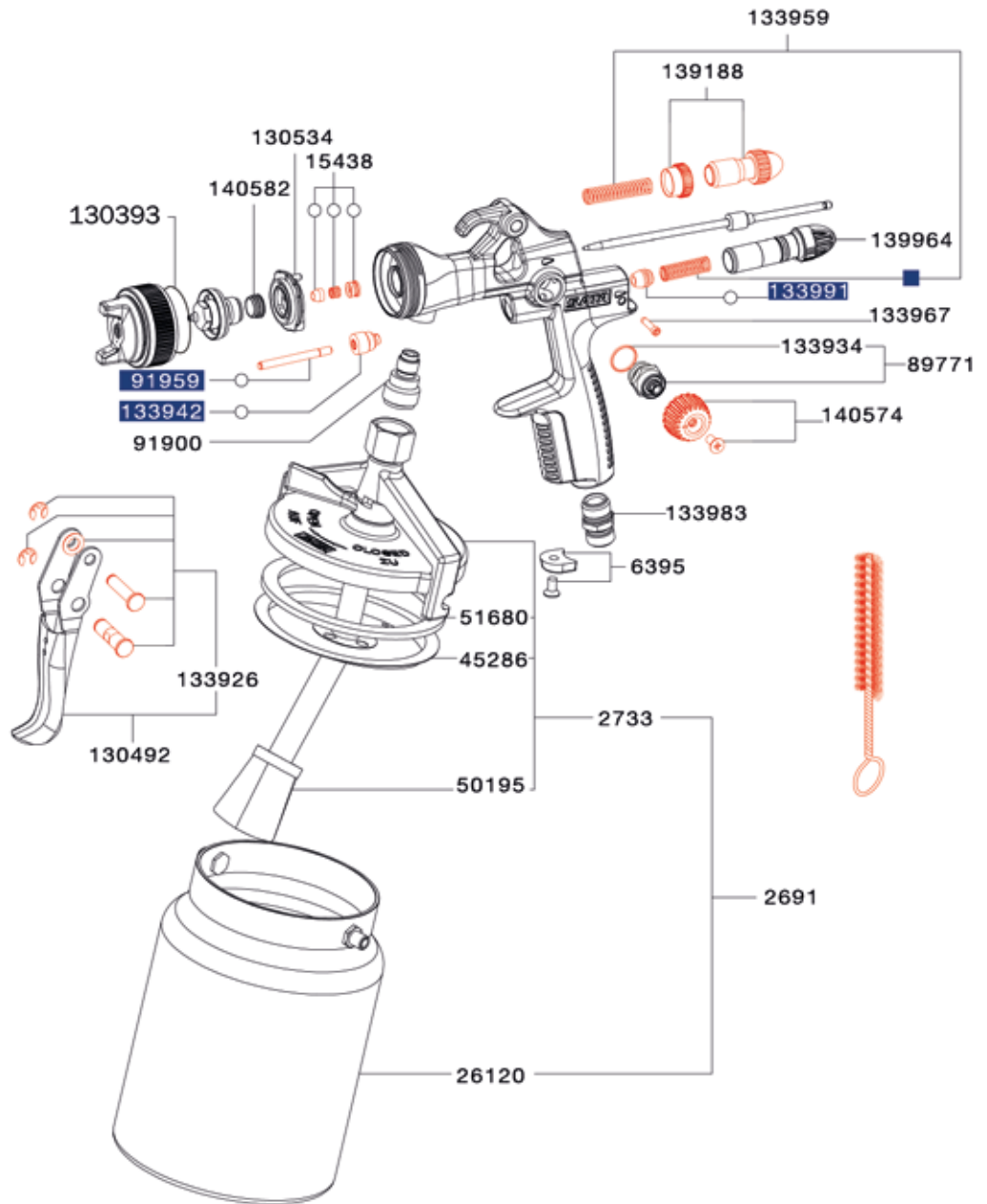


	1,3	1,6	1,8	2,0	EURO
<b>Spray gun with 1.0 l aluminium suction cup without swivel joint</b>					
RP	161034	151266	151274	153353	<b>525,00 (1)</b>
<b>Nozzle set</b>					
RP	161059	151613	151621	153379	<b>153,30 (3)</b>

SPRAY GUNS  
 CUP SYSTEMS  
 BREATHING PROTECTION  
 FILTER TECHNOLOGY  
 ADDITIONAL PRODUCTS  
 MERCHANDISING ITEMS

**Spare parts**

SATAjet 1000 H	EURO
1097379	12,50 (3)
Universal spanner (pack of 3 pieces)	
130393	3,70 (3)
Sealing ring for air cap ring SATAjet 100 and 1000	
130492	35,50 (3)
Trigger kit	
130534	21,60 (3)
Air distribution ring (packing unit 3 pieces)	
133926	20,60 (3)
Trigger sleeve kit	
133934	5,70 (3)
Sealing (packing unit 3 pieces) for spindle	
133942	22,30 (3)
Seal retainer, cpl.	
133959	18,80 (3)
Pressure spring (3 pieces) for paint needle and air piston	
133967	9,10 (3)
Adjustment screw (packing unit 3 pieces) for air micrometer	
133983	13,40 (3)
Air connection piece 1/4" male thread	
133991	8,20 (3)
Air piston head (packing unit 3 pieces)	
139188	21,40 (3)
Material flow control with counter nut	
139964	39,20 (3)
Air micrometer	
140574	33,20 (3)
Control knob with screw	
140582	20,30 (3)
Sealing element (packing unit 5 pieces) for fluid tip	
15438	18,60 (3)
Paint needle packing	
26120	71,90 (3)
1.0 l aluminium suction cup, without lid	
2691	142,80 (3)
1.0 l aluminium suction cup, cpl.	
2733	74,60 (3)
Lid fitting	
45286	13,00 (3)
Anti-drip device (pack of 4 pieces)	
50195	21,20 (3)
Strainer (packing unit 2 pieces)	
51680	13,40 (3)
Sealing ring (packing unit 4 pieces)	
6395	6,80 (3)
CCS Clips, green, blue, red, black (packing unit 4 pieces)	
89771	51,10 (3)
Spindle, cpl., f. round / flat spray control SATAjet 2000 HVLP	
91900	32,50 (3)
Material connection, stainless steel	
91959	10,90 (3)
Air piston rod	



Tool kit	EURO
9050 Universal spanner, Cleaning brush, Allen wrench 4 mm width, Allen wrench 2 mm width, Extraction tool, Paint strainer	23,20 (3)

Repair kit	EURO
130542 Repair kit	72,90 (3)
92759 Air piston service unit	57,00 (3)
183780 Sealing kit	38,60 (3)



# SATAjet H

## HD

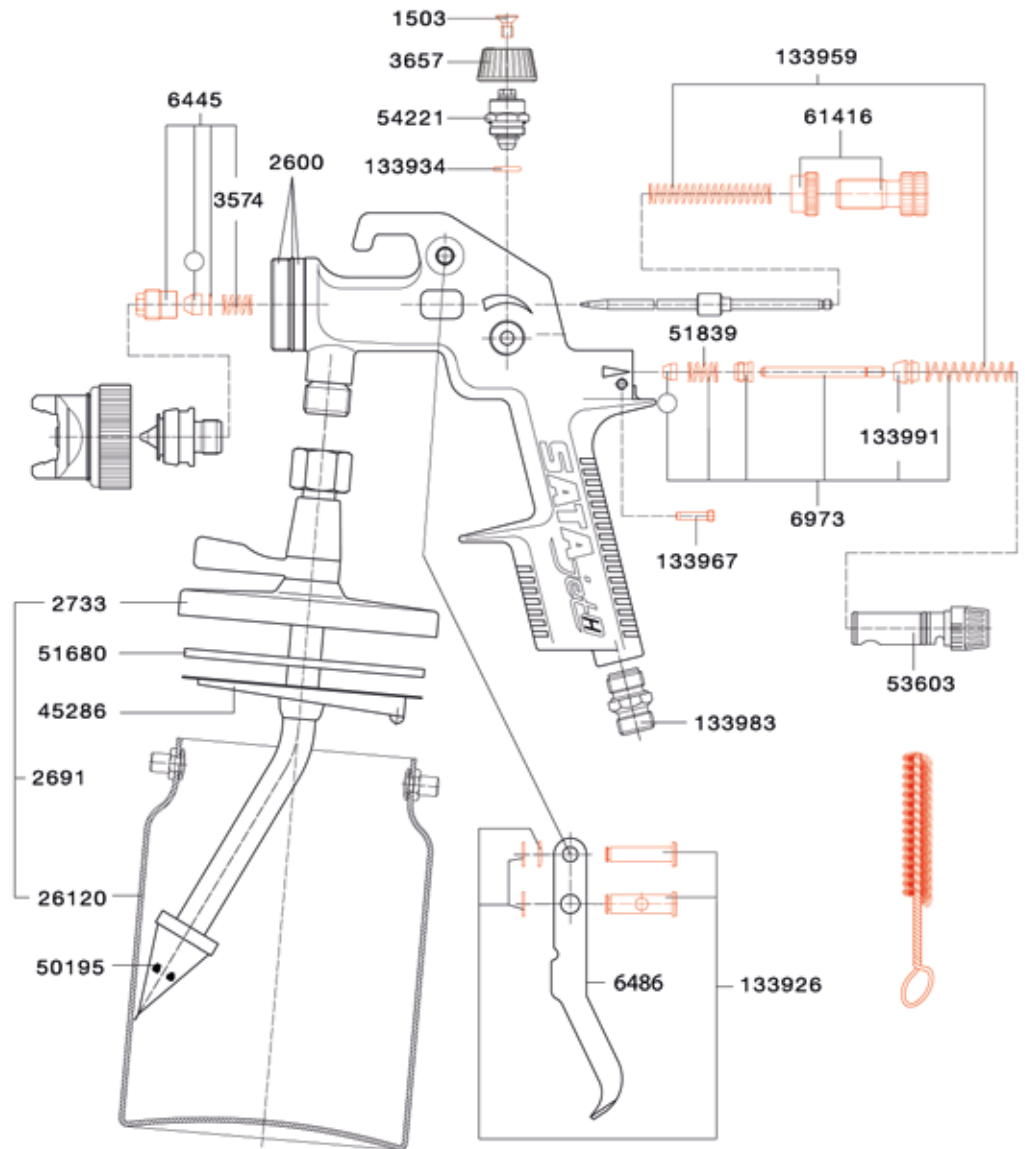


Technical Data	SATAjet H
Recommended air inlet pressure	4,0 bar
Air inlet pressure field of application	4,0 bar
Recommended spraying distance	18 - 23 cm
Air consumption	380 NI/min



	1,5 E	MSH	2,0 E	EURO
<b>Spray gun with 1.0 l aluminium suction cup</b>				
RE	23721	23747	23739	<b>557,00 (1)</b>
<b>Nozzle set</b>				
RE	23663	23697	23689	<b>153,10 (3)</b>

Spare parts	
SATAjet H	EURO
133926	20,60 (3)
Trigger sleeve kit	
133934	5,70 (3)
Sealing (packing unit 3 pieces) for spindle	
133959	18,80 (3)
Pressure spring (3 pieces) for paint needle and air piston	
133967	9,10 (3)
Adjustment screw (packing unit 3 pieces) for air micrometer	
133983	13,40 (3)
Air connection piece 1/4" male thread	
133991	8,20 (3)
Air piston head (packing unit 3 pieces)	
1503	2,80 (3)
Countersunk screw M4 x 8 DIN 965, stainless steel, for micrometer und round/flat spray control	
2600	63,60 (3)
Service unit for nozzle insert for SATAjet/B, H, K and NR 92, consisting of nozzle insert, distribution plate and sealing ring	
26120	71,90 (3)
1.0 l aluminium suction cup, without lid	
2691	142,80 (3)
1.0 l aluminium suction cup, cpl.	
2733	74,60 (3)
Lid fitting	
3574	3,30 (3)
Pressure spring for	
3657	23,80 (3)
Control knob	
45286	13,00 (3)
Anti-drip device (pack of 4 pieces)	
50195	21,20 (3)
Strainer (packing unit 2 pieces)	
51680	13,40 (3)
Sealing ring (packing unit 4 pieces)	
51839	13,70 (3)
Pressure spring (packing unit 12 pieces) for air piston packing	
53603	46,50 (3)
Air micrometer	
54221	35,30 (3)
Spindle complete, for SATAjet/90, SATAjet, regulation valve and MC-B	
61416	18,80 (3)
Material flow control with counter nut	
6445	19,20 (3)
Paint needle packing	
6486	24,80 (3)
Trigger kit	
6973	31,80 (3)
Air piston servicing unit	



Tool kit	EURO
9654 Universal spanner, Cleaning brush, Allen wrench 4 mm width, Allen wrench 2 mm width, Paint strainer, Socket wrench 7 mm width	23,20 (3)

Repair kit	EURO
70623 Repair kit	121,60 (3)
50666 Sealing kit	21,20 (3)

# SATAjet 20 B

ND



**Technical Data**                      **SATAjet 20 B**

Recommended air inlet pressure	1,0 bar
Air consumption	40 NI/min
Recommended spraying distance	variable

	0,2	0,35	0,5	0,8	1,0	EURO
<b>Spray gun with 65 ml plastic cup</b>						
€	65078	65581	65649	66316	69229	<b>349,00 (1)</b>
<b>Spray gun with 65 ml plastic cup, glass plug-on cup and 3 glass jars with blank lid</b>						
€	86181	86199	86207	86215	86223	<b>429,00 (1)</b>
<b>Nozzle set</b>						
€	60459	60640	61200	61341	61523	<b>94,10 (3)</b>

**SATAjet 20 B 0,2 fineline**

	EURO
189035	<b>354,00 (1)</b>
SATAjet 20 B nozzle 0.2 fineline, 65 ml reusable plastic cup	
189043	<b>95,70 (3)</b>
Nozzle set SATAjet 20 B fineline 0.2	

**SATAjet 20 B design set**

	EURO
90381	<b>893,00 (1)</b>
SATAjet 20 B design set 0.5 with accessories in case	



Completely assembled air hoses see SATA hoses.

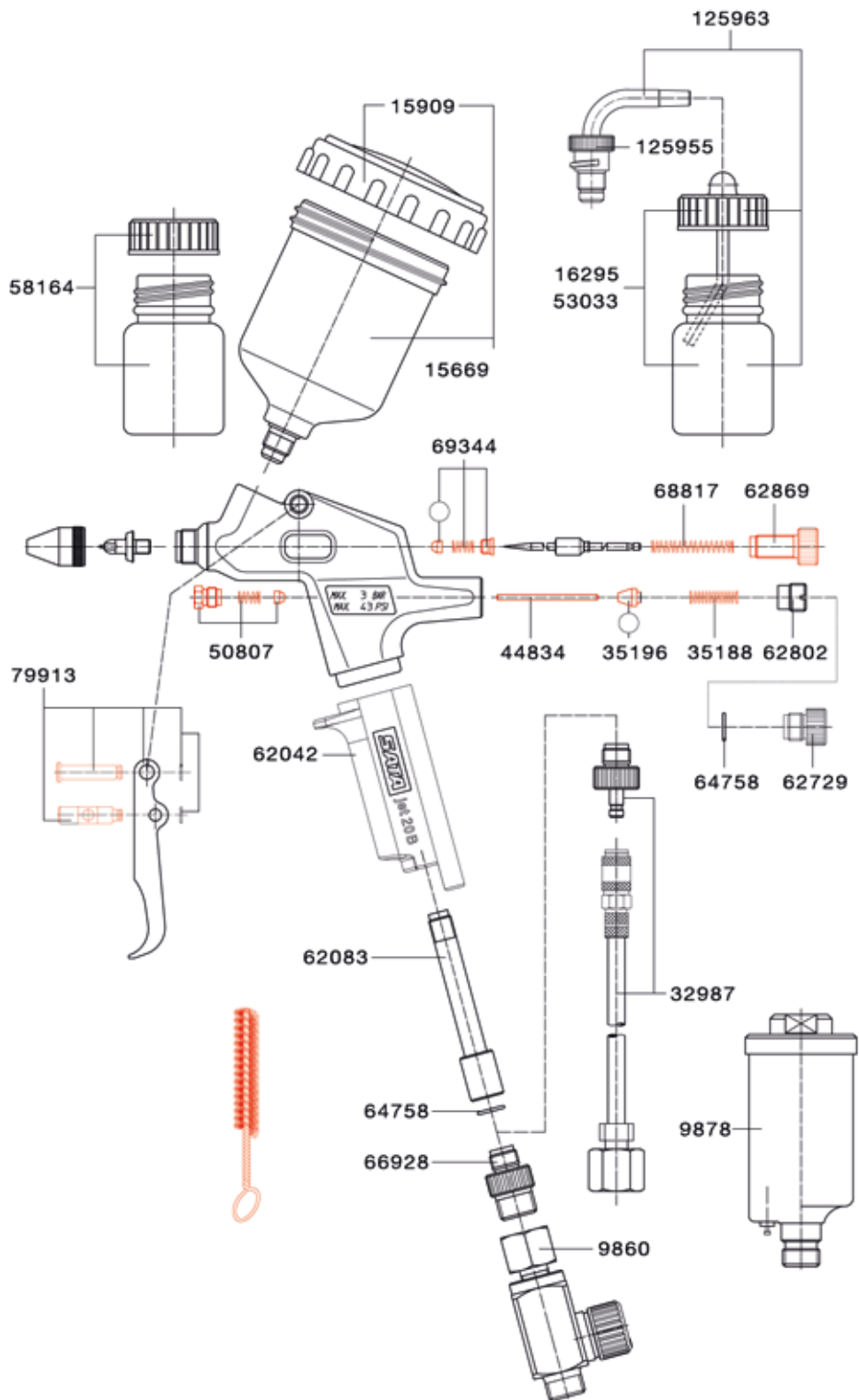
## Line thicknesses SATAjet 20 B

0.2 mm	Nozzle set fineline 0.2
0.6 mm	Nozzle set 0.2
0.8 mm	Nozzle set 0.35
1.1 mm	Nozzle set 0.5
1.5 mm	Nozzle set 0.8
1.9 mm	Nozzle set 1.0

SPRAY GUNS  
 CUP SYSTEMS  
 BREATHING PROTECTION  
 FILTER TECHNOLOGY  
 ADDITIONAL PRODUCTS  
 MERCHANDISING ITEMS

Spare parts

SATAjet 20 B	EURO
125955	62,20 (3)
Plug-in cup connection with QCC SATAjet 20 B, dekor 2000, minijet 3000 B HVLP, minijet 4 HVLP	
125963	200,10 (3)
25 ml glass cup with plug-in lid (packing unit 5 pieces) and QCC plug-in connection (packing unit 1 piece)	
15669	39,10 (3)
65 ml PVC reusable cup, cpl.	
15909	11,80 (3)
PVC screw-on lid 65 ccm PVC cup SATAjet 20 B, dekor 2000	
16295	34,40 (3)
25 ml glass cup with plug-in cup	
32987	51,60 (4)
SATA PVC compressed air hose, transparent, 3 m long with G 1/4" (female thread), mini quick coupling and nipple	
35188	4,00 (3)
Pressure spring for air piston	
35196	8,70 (3)
Air piston head	
44834	4,00 (3)
Air piston rod	
50807	13,40 (3)
Service unit air piston rod SATAjet 20 B, dekor 2000, minijet 3 HVLP	
53033	147,80 (3)
25 ml glass cup with plug-in cup (packing unit 5 pieces)	
58164	37,10 (3)
25 ml glass cup with blind lid (packing unit 5 pieces)	
62042	10,40 (3)
Spray gun handle SATAjet 20 B, dekor 2000	
62083	21,40 (3)
Air pipe	
62729	7,20 (3)
Closing screw SATAjet 20 B, dekor 2000	
62802	4,30 (3)
Compression screw 1/8" (male thread)	
62869	12,30 (3)
Material flow control screw	
64758	2,80 (3)
O-ring	
66928	15,30 (3)
Air connection 1/8" (male thread) - 1/4" (male thread)	
68817	3,30 (3)
Pressure spring for paint needle	
69344	13,40 (3)
Paint needle packing	
79913	17,10 (3)
Trigger kit	
9860	52,10 (3)
SATA air micrometer 0-845, 1/4" (male thread) and G 1/4" (female thread)	
9878	91,90 (3)
SATA mini filter 1/4" (male thread)	



Tool kit	EURO
9373 Universal spanner, Cleaning brush, Hexagonal screwdriver	23,20 (3)

Repair kit	EURO
91165 Repair kit	72,20 (3)
69427 Sealing kit	21,60 (3)

All prices are recommended list prices. Errors, technical modifications and printing errors reserved.

SPRAY GUNS

CUP SYSTEMS

BREATHING PROTECTION

FILTER TECHNOLOGY

ADDITIONAL PRODUCTS

MERCHANDISING ITEMS

# SATAglyph 4

ND



<b>Technical Data</b>	<b>SATAglyph 4</b>
Recommended air inlet pressure	variabel bar
Air consumption	10 NI/min
Recommended spraying distance	variable



## SATAglyph 4 - The Universal Airbrush (in the plastic box)

227629  
SATAglyph 4 nozzle 0.5 with 7 ml standard cup

EURO  
**284,00 (5)**



227645  
SATAglyph 4 nozzle 0.5 with 6 ml suction cup

**275,00 (5)**



227637  
SATAglyph 4 nozzle 0.5 with 7 ml side cup

**293,00 (5)**



0,5	EURO
<b>Nozzle set</b>	
≙ 227363	<b>117,30 (4)</b>

SPRAY GUNS

CUP SYSTEMS

BREATHING PROTECTION

FILTER TECHNOLOGY

ADDITIONAL PRODUCTS

MERCHANDISING ITEMS



Spare parts

**SATAglyph 4**

EURO

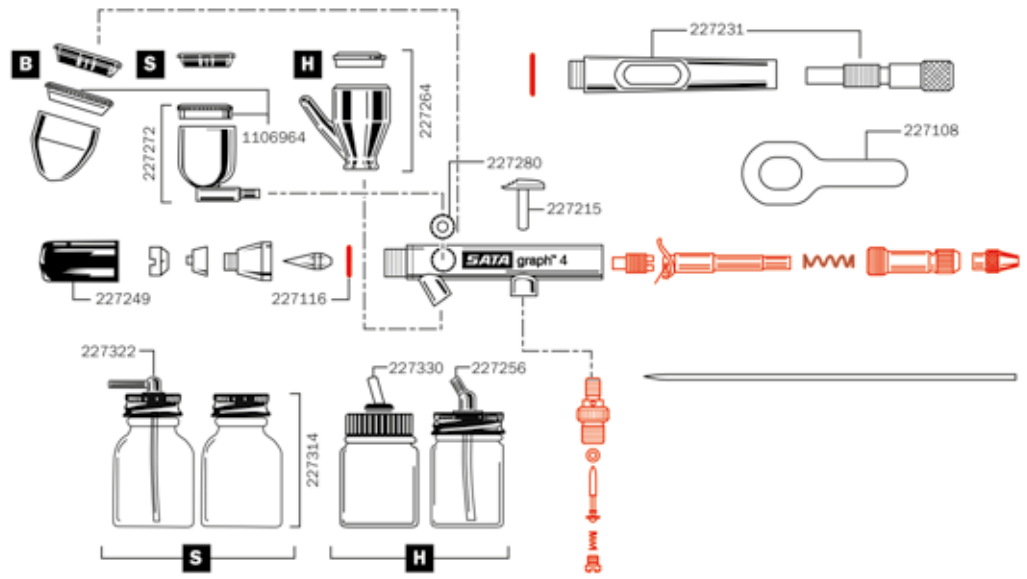
227108	Wrench for nozzle head	<b>36,70 (4)</b>
227116	O-Ring (packing unit 5 pieces)	<b>38,90 (4)</b>
227215	Trigger	<b>29,50 (4)</b>
227231	Handle end piece, complete	<b>29,80 (4)</b>
227249	Protection cap for paint needle	<b>15,20 (4)</b>
227256	23 ml glass cup, cpl.	<b>18,30 (4)</b>
227264	6 ml metal suction cup, cpl.	<b>34,00 (4)</b>
227272	7 ml metal side cup, cpl.	<b>51,20 (4)</b>
227280	Plug for material supply from the side, red	<b>20,80 (4)</b>
227306	Lid for metal paint cup, side cup and gravity flow cup version	<b>34,20 (4)</b>
227314	30 ml glass cup, cpl. with neutral lid	<b>11,50 (4)</b>
227322	30 ml glass cup, cpl.	<b>36,60 (4)</b>
227330	23 ml glass cup, cpl. with Fast Blast	<b>21,10 (4)</b>

Hoses and nipples

**SATAglyph 4**

EURO

32615	Coupling nipple (packing unit 3 pieces)	<b>23,50 (4)</b>
32987	SATA PVC compressed air hose, transparent, 3 m long with G 1/4" (female thread), mini quick coupling and nipple	<b>51,60 (4)</b>
134791	SATA Fibre air hose, 2.5 m long with G 1/4" (female thread), mini quick coupling	<b>78,60 (4)</b>



Repair kit









EURO

227348	Repair kit	<b>94,50 (4)</b>
--------	------------	------------------

# SATA adam 2


<b>Technical Data</b>	<b>SATA adam 2</b>
Max. operating pressure	10,0 bar
Max. operating temperature	+60 °C
Display accuracy	+/- 0,05 bar



Available versions	EURO	
211540 SATA adam 2 >bar< for SATAjet 5000 series	<b>262,70 (3)</b>	
1031723 SATA adam 2 black >bar< for SATAjet 5000 series	<b>262,70 (3)</b>	
160846 SATA adam 2 >bar< for SATA spray guns except for SATAminijet and SATAjet 5000 series	<b>253,40 (3)</b>	
160879 SATA adam 2 mini >bar< for SATAminijet 4400 B, SATAminijet 3000 B and SATAminijet 1000 K/H	<b>253,40 (3)</b>	
195214 SATA adam 2 U (air micrometer with adam 2 display bar)	<b>276,30 (3)</b>	
Spare parts & Accessories	EURO	
160689 SATA adam 2 display "bar"	<b>203,70 (3)</b>	
1031682 SATA adam 2 black display "bar"	<b>203,70 (3)</b>	
211565 SATA adam 2 dock for SATAjet 5000 series	<b>81,60 (3)</b>	



**Spare parts & Accessories**

EURO







211573 SATA adam 2 dock (packing unit 2 pieces) for SATAjet 5000 series	<b>160,30 (3)</b>	
160788 SATA adam 2 dock for SATA spray guns except for SATAmijinjet and SATAjet 5000 series	<b>79,50 (3)</b>	
160796 SATA adam 2 dock (packing unit 2 pieces) for SATA spray guns except for SATAmijinjet and SATAjet 5000 series	<b>156,60 (3)</b>	
160861 SATA adam 2 mini dock for SATAmijinjet spray guns	<b>79,50 (3)</b>	
195230 SATA adam 2 U dock (air micrometer 1/4" male thread and G 1/4" female thread with SATA dock)	<b>92,50 (3)</b>	
195925 SATA dock with 1/8" (male thread)	<b>14,50 (3)</b>	
162081 SATA dock protect (packing unit 5 pieces) for SATA adam 2	<b>24,20 (3)</b>	
160739 Battery kit for SATA adam 2	<b>34,10 (3)</b>	
162164 Locking clip (packing unit 5 pieces) for SATA adam 2	<b>12,90 (3)</b>	
162172 O-ring (packing unit 2 pieces) for SATA adam 2	<b>25,30 (3)</b>	
203117 Reducing piece 1/4" (male thread) and G 1/8" (female thread)	<b>11,50 (3)</b>	

**Pressure gauges and micrometer**

EURO

27771 SATA air micrometer with gauge, 1/4" (male thread) and G 1/4" (female thread)	<b>92,20 (3)</b>	
4002 Spray pressure control unit	<b>65,60 (3)</b>	
9860 SATA air micrometer 0-845, 1/4" (male thread) and G 1/4" (female thread)	<b>52,10 (3)</b>	

All prices are recommended list prices. Errors, technical modifications and printing errors reserved.

	SATAjet X 5500 PHASER SATAjet X 5500 SATAjet 5000 B PHASER SATAjet 5000 B	SATAjet 4000 B	SATAjet 3000 B	SATAjet 1000 B	SATAjet 100 B	SATAjet B, SATAjet GR	SATAmijinjet 4000 B SADUmijinjet 3000 B SATAmijinjet 4	SATA dry jet	Competition spray guns	Replicating micrometer with pressure gauge #27771	Replicating atomisation air control gauge #4002	Filters and systems with G 1/8" female thread
 <b>211540</b> adam 2	X											
 <b>1031723</b> adam 2 black												
 <b>160846</b> adam 2		X	X	X	X	X						
 <b>160879</b> adam 2 mini							X					
 <b>195214</b> adam 2 U	X	X	X	X	X	X	X	X	X			
 <b>195925</b> SATA dock with 1/8" male thread										X	X	X

SPRAY GUNS

CUP SYSTEMS

BREATHING PROTECTION






FILTER TECHNOLOGY

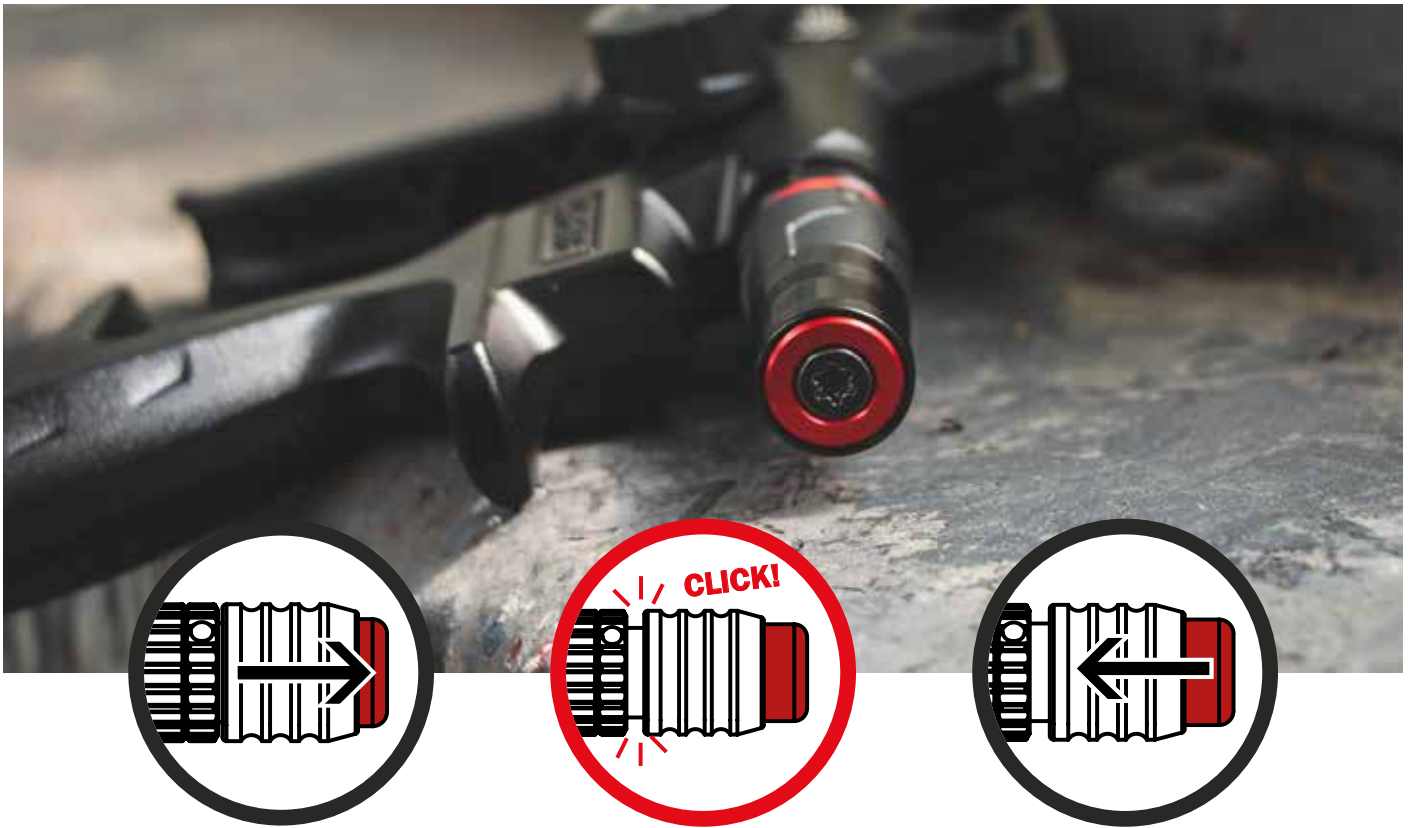
ADDITIONAL PRODUCTS

MERCHANDISING ITEMS

## SATA QMR, Quick Material Regulator



Available versions	EURO	
1202019 SATA QMR, Quick Material Regulator (pack of 1 piece) for jet X	<b>56,50 (3)</b>	
1186213 SATA QMR, Quick Material Regulator (pack of 1 piece) for SATAjet 5000 series	<b>49,70 (3)</b>	
1162817 SATA QMR, Quick Material Regulator (pack of 2 pieces) for SATAjet 5000 series	<b>88,20 (3)</b>	
1185596 SATA QMR, Quick Material Regulator (pack of 1 piece) for SATAjet 100, 1000 and jet 1500	<b>49,70 (3)</b>	
1185603 SATA QMR, Quick Material Regulator (pack of 1 piece) for SATAminijet 4400	<b>49,70 (3)</b>	



## SATA QMR

Discover the revolutionary SATA QMR – Quick Material Regulator!

When application processes require frequent recurring adjustments between reduced and fully open material flow rates, the SATA QMR is the solution to save time and money.

This **material flow regulation device** allows to **preset the required reduced material flow rate** which can then be activated quickly, precisely and in reproducible fashion **at the push of a button**.

The **"release function"** allows the painter to conveniently switch back to the **fully open position** within seconds.

The SATA QMR does not require servicing, is easy to handle and can be retrofitted for the following paint spray guns:

- jet X
- SATAminijet 4400 B
- SATAjet X 5500
- SATAjet 1000 series
- SATAjet 5000 B
- SATAjet 100 series

### PRODUCT BENEFITS

- The position of the material flow regulator, and therefore the material flow rate, can be adjusted at the push of a button.
- Helps the user to quickly and reproducibly set the required material flow rate
- Retrofittable, maintenance-free and user-friendly
- Suitable for application processes where specific, reduced material flow rates are a regular requirement
- Release function: By simply pulling, the material flow control is fully released.

### FOR FURTHER INFORMATION:



[www.sata.com/qmr](http://www.sata.com/qmr)





## Spray gun cases



### Spray Gun Cases

1079137  
SATA case, umbra (47 x 37 x 18 cm), incl. inserts for 5 spray guns; material: plastic

EURO

**218,20 (6)**



1086976  
Foam inlay, black, for 5 spray guns, incl. cover insert

**64,50 (6)**

1080142  
SATA case, umbra (30 x 23 x 13 cm), incl. inserts for 2 spray guns; material: plastic

**122,90 (6)**



1056268  
Foam insert, black, for 2 spray guns, incl. cover insert

**46,80 (6)**

## Spray Gun Cases

EURO

153288

SATA case, black (63 x 50 x 30 cm) with trolley function, without print, incl. individual insert; Material: plastic

**525,10 (6)**

174128

SATA case, silver (45 x 33 x 15 cm), without print, incl. inserts for 5 spray guns; material: aluminium

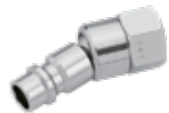









**81,90 (6)**




169706

Foam insert, blue/black for 5 spray guns, incl. cover insert









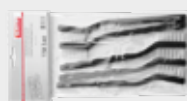

**58,70 (6)**

## Accessories for spray guns

<b>Air connection</b>		EURO	
99895	Flexible quick coupling nipple G 1/4" (female thread)	<b>59,80 (3)</b>	
6981	SATA quick coupling nipple G 1/4" (female thread) (packing unit 5 pieces)	<b>44,70 (1)</b>	
1188912	SATA quick coupling nipple G 1/4" (female thread) (pack of 2 pieces)	<b>19,00 (1)</b>	
<b>Storage</b>		EURO	
1103522	SATA universal spray gun holder, foldable, magnetic	<b>85,80 (3)</b>	
1110527	SATA universal spray gun holder, foldable	<b>80,30 (3)</b>	
192195	SATA universal spray gun and hose holder for all SATA spray guns	<b>55,00 (3)</b>	
134916	Triple spray gun holder for wall mounting	<b>54,50 (3)</b>	
9886	SATA gravity gun holder for gravity cup spray guns	<b>27,00 (3)</b>	
134882	Spray gun holder with strainer holder	<b>97,50 (3)</b>	
134932	Insert for spray gun holder with strainer holder for SATAMinijet	<b>31,30 (3)</b>	
69328	SATA spray gun holder for SATAMinijet 4400 B, minijet 3000 B, jet 20 B	<b>85,10 (3)</b>	
40188	SATA Spray Gun Holder	<b>43,60 (3)</b>	

<b>Storage</b>		EURO	
1750 Spray Gun Display Plinth		<b>50,30 (3)</b>	
<b>Other Accessories</b>		EURO	
59675 SATA dosenboy, to cut out can lids from cans up to 36 cm height		<b>246,90 (5)</b>	
59667 Blade for SATA dosenboy		<b>21,60 (4)</b>	
59659 Wheel for SATA DOSENBOY		<b>33,20 (4)</b>	
16477 SATA compressed air-driven hand agitator		<b>783,20 (5)</b>	
9845 SATA viscosity cup 4.0 mm, flow time tolerance < 1 sec.		<b>83,90 (5)</b>	
9852 SATA viscosity cup 4.0 mm, flow time tolerance < 1.5 sec.		<b>32,10 (5)</b>	
3988 Paint strainer, 300 µm (packing unit 10 pieces) for SATA spray guns except for SATAminijet 3000 B		<b>26,80 (3)</b>	
76018 Paint strainer, 300 µm (packing unit 100 pieces) for SATA spray guns except for SATAminijet 3000 B		<b>225,90 (3)</b>	
76026 Paint strainer, 300 µm (packing unit 500 pieces) for SATA spray guns except for SATAminijet 3000 B		<b>992,00 (3)</b>	
1054006 Air cap protector, black (packing unit 5 pieces) for SATAjet 3000, 4000, 5000 series		<b>34,50 (3)</b>	
1054014 Air cap protector, black (packing unit 5 pieces) for SATAjet 100 and 1000 series		<b>35,20 (3)</b>	
1054030 Air cap protector, black (packing unit 5 pieces) for SATAminijet 4400 B		<b>28,40 (3)</b>	
1054022 Air cap protector, black (packing unit 5 pieces) for SATAminijet 1000/3000 B		<b>28,40 (3)</b>	
1040815 Air cap protector UV, black (packing unit 5 pieces) for SATAjet 3000, 4000, 5000 series		<b>40,20 (3)</b>	
1040807 Air cap protector UV, black (packing unit 5 pieces) for SATAjet 100 and 1000 series		<b>40,20 (3)</b>	
1044594 Air cap protector UV, black (packing unit 5 pieces) for SATAminijet 4400 B		<b>33,70 (3)</b>	

## Cleaning and Maintenance of Spray Guns

Storage	EURO	
60095 SATAclean wet holding tray for 3 spray guns	<b>172,80 (5)</b>	
Cleaning accessories	EURO	
162628 SATA care set spray gun care bag containing 1 large cleaning brush, 5 medium-sized cleaning brushes, 5 double-sided cleaning brushes, 12 nozzle cleaning needles, 1 tube high performance grease, silicone- and acid-free, 100 g	<b>110,50 (3)</b>	
48173 SATA high performance grease, silicone- and acid-free, 100 ml for spray guns	<b>17,40 (4)</b>	
62174 SATA nozzle cleaning needles (pack of 12 pieces)	<b>31,30 (3)</b>	
9894 SATA nozzle cleaning needles (pack of 36 pieces, packed to 12 pieces each)	<b>82,10 (3)</b>	
64030 SATA cleaning kit with 2 cleaning brushes, medium and 12 nozzle cleaning needles	<b>39,60 (3)</b>	
6007 Cleaning brush (packing unit 10 pieces) for spray guns	<b>21,40 (3)</b>	
9209 Cleaning brush, double-sided (pack of 10 pieces) for spray guns	<b>59,30 (3)</b>	
158840 Cleaning brush, large (packing unit 5 pieces) for spray guns	<b>16,10 (3)</b>	
29280 Cleaning brush (packing unit 10 pieces) for suction pipe of suction cup spray guns	<b>29,60 (3)</b>	
Quality Control	EURO	
161596 SATA cert, with archive, spray pattern block, single sheet holder and distance marker	<b>154,20 (4)</b>	
161646 Spray pattern blocks with 25 sheets (packing unit 2 pieces) for SATA cert	<b>56,40 (4)</b>	
161661 Distance marker for SATA cert	<b>19,40 (4)</b>	



## Disassembly of nozzle set jet X



1 First remove paint needle.



2 Followed by the cap.



3 Finally, unscrew the paint nozzle using the ring wrench integrated in the universal wrench.



4 Alternatively, the integrated tool within the trigger can be used.

## Cleaning and drying of the jet X



1 Clean the material passage



2 Clean the spray gun body



3 Dry with blow gun

When cleaning, make sure to use suitable brushes, that cannot damage the nozzle set or the spray gun. In addition, no cleaning agent may enter the air channels of the gun body. Ideally, SATA cleaning brushes and SATA nozzle cleaning needles should be used to ensure optimum cleaning.

## Cleaning the nozzle set of the jet X



Disconnect the spray gun from the compressed air supply before carrying out any maintenance or cleaning work. Neutral cleaning agents (pH value 6 to 8) should be used. Do not immerse the spray gun in cleaning agents.

Further information and notes can be found in the operating instructions or at [www.sata.com/firstaid](http://www.sata.com/firstaid)

## Assembly and maintenance of the jet X



1 Assembly of the fluid tip



2 Tighten fluid tip by hand using the universal spanner.



3 Alternatively, the integrated tool within the trigger can be used.



4 Assembly of the air cap



5 Grease paint needle around the needle packing area



6 Insert paint needle



7 Grease and insert paint needle spring



8 Grease and insert the trigger



9 Grease thread of material flow control screw



10 Installing material flow regulation screw



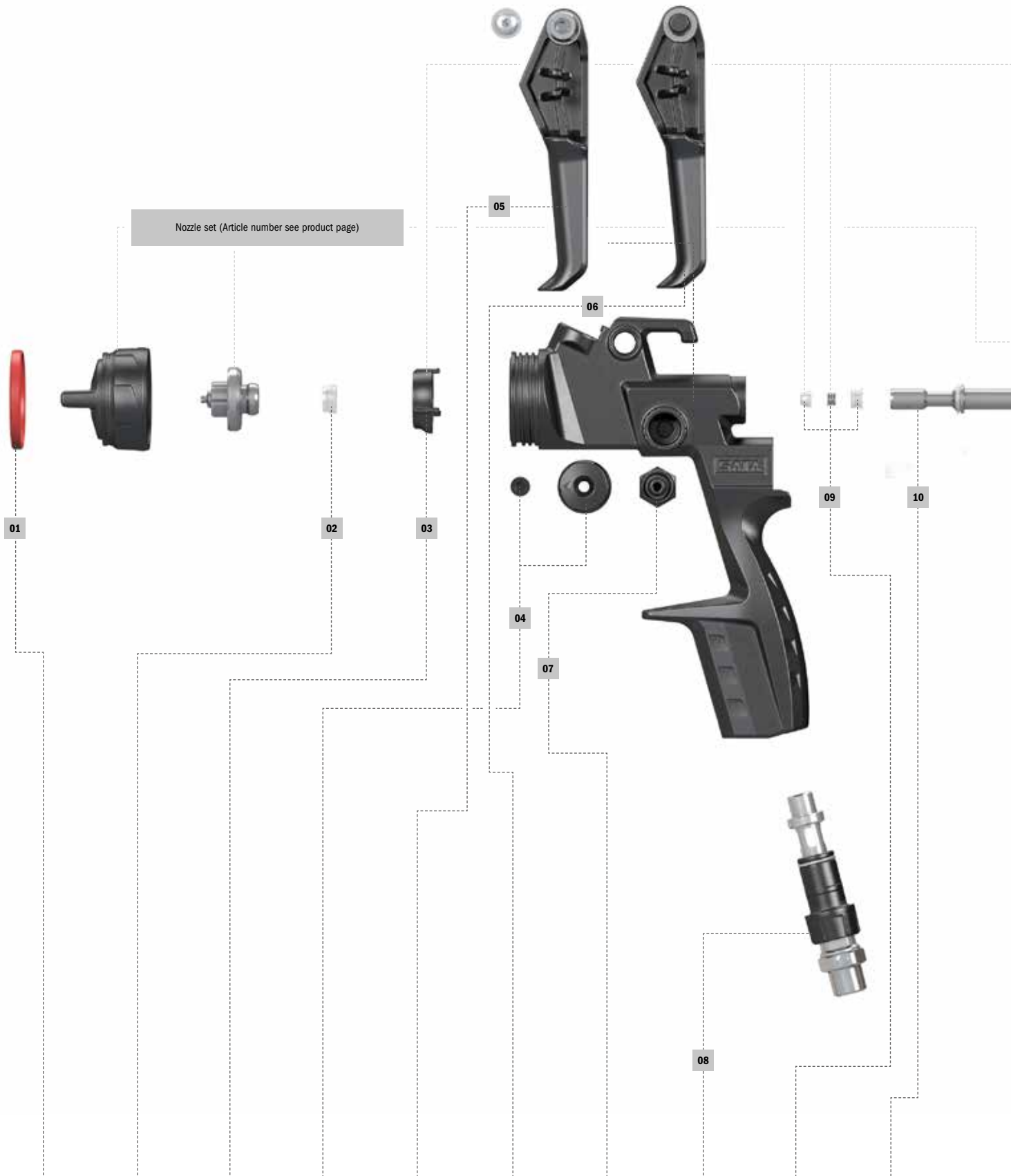
11 Assemble the QAC-Cover



12 Align the air nozzle with the universal wrench (optional)

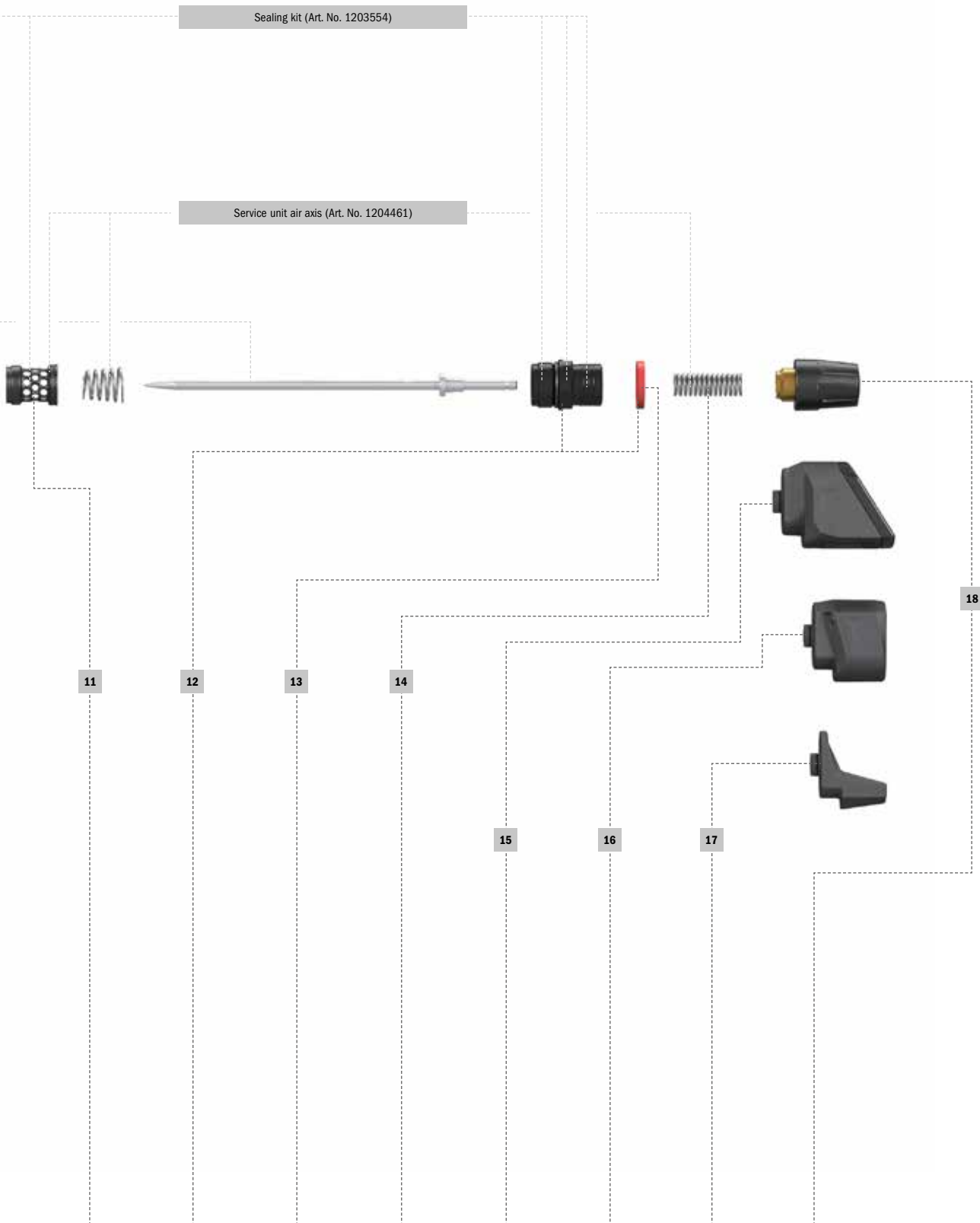
# Spare parts jet X

SPRAY GUNS  
CUP SYSTEMS  
BREATHING PROTECTION  
FILTER TECHNOLOGY  
ADDITIONAL PRODUCTS  
MERCHANDISING ITEMS



Nozzle set (Article number see product page)

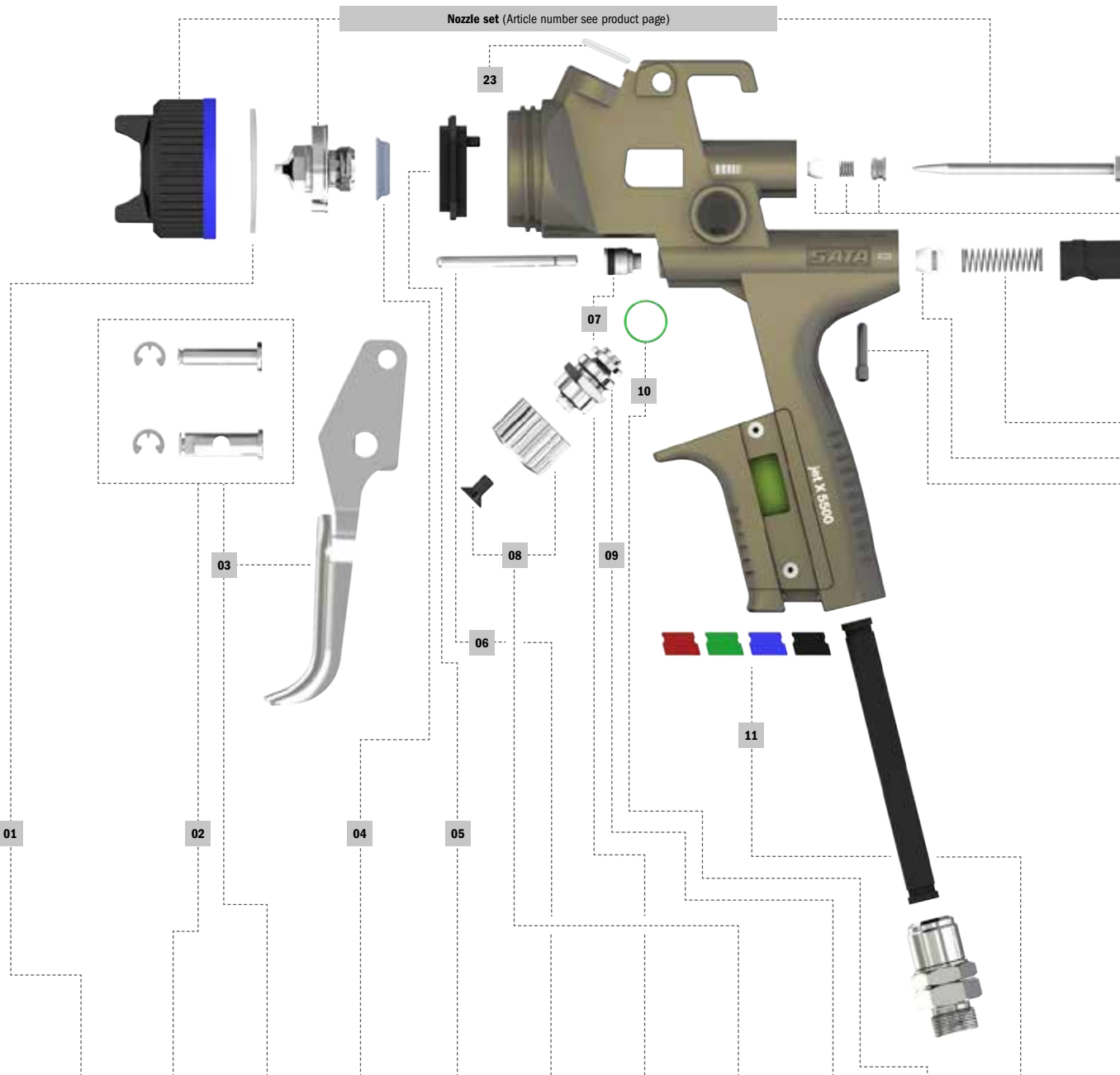
01	02	03	04	05	06	07	08	09	10
Colour marking ring set	Sealing element for fluid tip	Air separation ring	Control knob with screw	Trigger kit jet X BASIC	Trigger kit jet X DIGITAL, DIGITAL pro und DIGITAL ready	Spindle for round / flat spray control	Air micrometer with swivel joint	Paint needle packing	Air piston head
1206780	140582	1197426	1202712	1197418	1197400	1201665	1201508	1197434	1197492



11	12	13	14	15	16	17	18
Cage	Closing screw	CCS-Rings	Compression spring	adam X pro (for jet X, except BASIC)	adam X (for jet X, except BASIC)	QAC - Cover with handrest	Material flow control
1197442	1197484	1188334	1197450	1202001	1201996	1206722	1197468

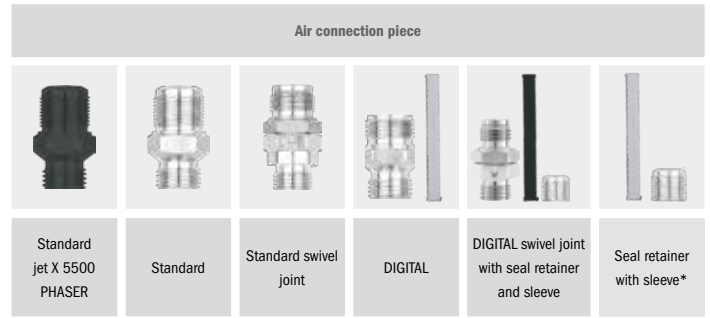
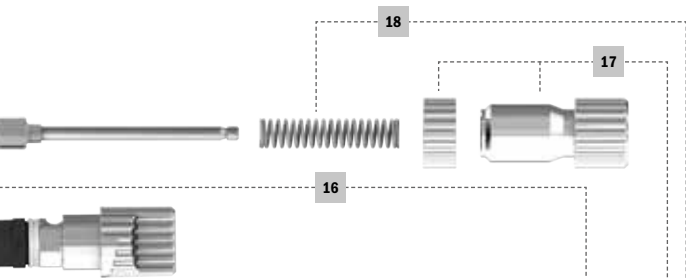
SPRAY GUNS  
CUP SYSTEMS  
BREATHING PROTECTION  
FILTER TECHNOLOGY  
ADDITIONAL PRODUCTS  
MERCHANDISING ITEMS

# Spare parts for SATA spray guns with gravity flow cup



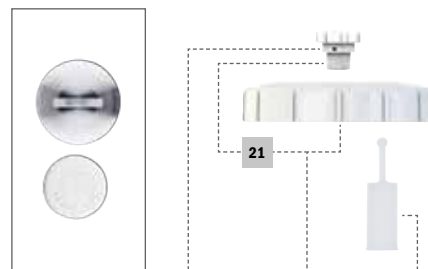
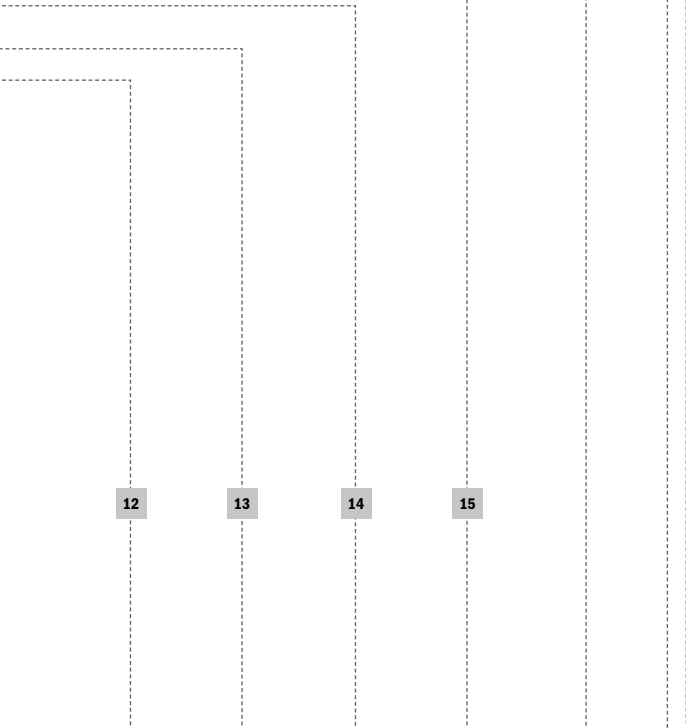
01	02	03	04	05	06	07	08	09	10	11
Seal ring	Trigger sleeve kit	Trigger kit	Seal element fluid tip	Air distribution ring	Air piston rod	Seal retainer	Control knob	Spindle with seal	Spindle seal	CCS clips

Gun type	01	02	03	04	05	06	07	08	09	10	11
<b>X 5500</b>	211508	211458	211433	140582	-	86843	133942	1057357	213025	133934	211409
<b>X 5500 PHASER</b>		-	1092973					1092999			
<b>5000 B</b>		211458	211433					211482			
<b>4000 B</b>	166009	165977	165951	166033	165944	165928					
<b>100 B</b>	130393	133926	130492	143230	91959	140574	89771	6395			
<b>1000 B</b>	200907	199463	198473	199455	197467	198408	199414	200162	198549	199471	197418



	Standard jet X 5500 PHASER	Standard	Standard swivel joint	DIGITAL	DIGITAL swivel joint with seal retainer and sleeve	Seal retainer with sleeve*
<b>X 5500</b>	-	134098	19745	211490	211516	211441
<b>X 5500 PHASER</b>	1092981	-		-	-	-
<b>5000 B</b>				211490	211516	211441
<b>4000 B</b>				166116	203422	165985
<b>100 B</b>	-					
<b>1000 B</b>		134098	16162	-	-	-
<b>minijet 4400 B</b>						

\* only for DIGITAL with swivel joint



12	13	14	15	16	17	18	19	20	21	22	23
Locking screw	Air piston head	Pressure spring air piston	Air micrometer (air flow control knob)	Paint needle packing	Material flow control	Pressure spring paint needle	Battery kit	Anti-drip device	Screw-on lid	Strainer 300µm	plastic insert**

211391	133991	133959*	211466	15438	211474	133959*	1057414	1826	49395	3988 (10x)	96875
			1093012		1093004		-				
			211466		211474		213769				
133967			166017		166025		165993			76018 (100x)	
			139964		139188		-			76026 (500x)	
199430	199448	201467*	198523	199414	199406	201467*		197558	199075		

\* contained in the set \*\* for spray guns with QCC cup connection



## Nozzle sets and spare parts of discontinued gun models

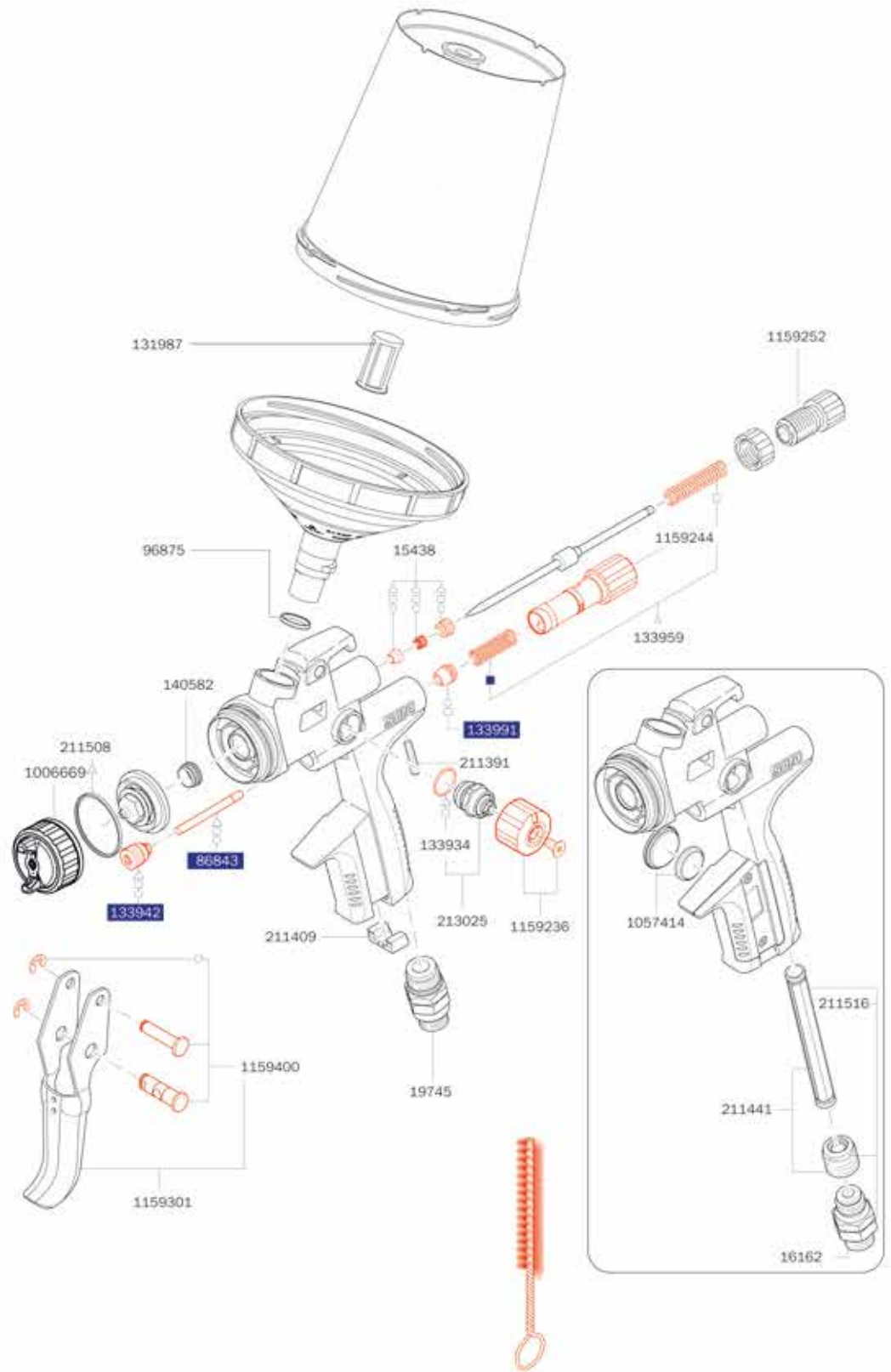
<b>SATAjet X 5500 FUTURE</b>		EURO
1158965	Nozzle set SATAjet X 5500 RP FUTURE 1.1 I	<b>262,00 (3)</b>
1158973	Nozzle set SATAjet X 5500 RP FUTURE 1.1 O	<b>262,00 (3)</b>
1158981	Nozzle set SATAjet X 5500 RP FUTURE 1.2 I	<b>262,00 (3)</b>
1158999	Nozzle set SATAjet X 5500 RP FUTURE 1.2 O	<b>262,00 (3)</b>
1159004	Nozzle set SATAjet X 5500 RP FUTURE 1.3 I	<b>262,00 (3)</b>
1159012	Nozzle set SATAjet X 5500 RP FUTURE 1.3 O	<b>262,00 (3)</b>
1158923	Nozzle set SATAjet X 5500 HVLP FUTURE 1.3 I	<b>262,00 (3)</b>
1158931	Nozzle set SATAjet X 5500 HVLP FUTURE 1.3 O	<b>262,00 (3)</b>
1158949	Nozzle set SATAjet X 5500 HVLP FUTURE 1.4 I	<b>262,00 (3)</b>
1158957	Nozzle set SATAjet X 5500 HVLP FUTURE 1.4 O	<b>262,00 (3)</b>
<b>SATAjet 5000 B PHASER   Discontinuation end of 2025</b>		EURO
1006841	Nozzle set SATAjet 5000 B RP PHASER 1.2	<b>374,90 (3)</b>
1006859	Nozzle set SATAjet 5000 B RP PHASER 1.2 W	<b>374,90 (3)</b>
1006867	Nozzle set SATAjet 5000 B RP PHASER 1.3	<b>374,90 (3)</b>
1006916	Nozzle set SATAjet 5000 B RP PHASER 1.3 cc	<b>374,90 (3)</b>
1006875	Nozzle set SATAjet 5000 B HVLP PHASER WSB	<b>374,90 (3)</b>
1006883	Nozzle set SATAjet 5000 B HVLP PHASER 1.3	<b>374,90 (3)</b>
1006891	Nozzle set SATAjet 5000 B HVLP PHASER 1.4	<b>374,90 (3)</b>
1006908	Nozzle set SATAjet 5000 B HVLP PHASER 1.5	<b>374,90 (3)</b>
<b>SATAjet 5000 B</b>		EURO
210245	Nozzle set SATAjet 5000 B RP 1.0	<b>235,90 (3)</b>
210252	Nozzle set SATAjet 5000 B RP 1.1	<b>235,90 (3)</b>
210260	Nozzle set SATAjet 5000 B RP 1.2	<b>235,90 (3)</b>
210278	Nozzle set SATAjet 5000 B RP 1.2 W	<b>235,90 (3)</b>
210286	Nozzle set SATAjet 5000 B RP 1.3	<b>235,90 (3)</b>
1002104	Nozzle set SATAjet 5000 B RP 1.3 cc	<b>235,90 (3)</b>
210294	Nozzle set SATAjet 5000 B RP 1.4	<b>235,90 (3)</b>
210302	Nozzle set SATAjet 5000 B RP 1.6	<b>235,90 (3)</b>
210310	Nozzle set SATAjet 5000 B RP 1.8	<b>235,90 (3)</b>
210328	Nozzle set SATAjet 5000 B RP 2.0	<b>235,90 (3)</b>
210336	Nozzle set SATAjet 5000 B RP 2.5	<b>235,90 (3)</b>
210955	Nozzle set SATAjet 5000 B HVLP 1.0	<b>235,90 (3)</b>
210963	Nozzle set SATAjet 5000 B HVLP 1.2	<b>235,90 (3)</b>
210971	Nozzle set SATAjet 5000 B HVLP WSB	<b>235,90 (3)</b>
210989	Nozzle set SATAjet 5000 B HVLP 1.3	<b>235,90 (3)</b>
211011	Nozzle set SATAjet 5000 B HVLP 1.4	<b>235,90 (3)</b>
211045	Nozzle set SATAjet 5000 B HVLP 1.5	<b>235,90 (3)</b>
211052	Nozzle set SATAjet 5000 B HVLP 1.7	<b>235,90 (3)</b>
211060	Nozzle set SATAjet 5000 B HVLP 1.9	<b>235,90 (3)</b>
211078	Nozzle set SATAjet 5000 B HVLP 2.2	<b>235,90 (3)</b>

<b>SATAjet 4000 B   Discontinuation end of 2025</b>		<b>EURO</b>
166991	Nozzle set SATAjet 4000 B RP 1.0	<b>241,00 (3)</b>
167007	Nozzle set SATAjet 4000 B RP 1.1	<b>241,00 (3)</b>
167015	Nozzle set SATAjet 4000 B RP 1.2	<b>241,00 (3)</b>
167023	Nozzle set SATAjet 4000 B RP 1.2 W	<b>241,00 (3)</b>
167049	Nozzle set SATAjet 4000 B RP 1.3	<b>241,00 (3)</b>
167056	Nozzle set SATAjet 4000 B RP 1.4	<b>241,00 (3)</b>
167072	Nozzle set SATAjet 4000 B RP 1.6	<b>241,00 (3)</b>
167080	Nozzle set SATAjet 4000 B RP 1.8	<b>241,00 (3)</b>
168625	Nozzle set SATAjet 4000 B RP 2.0	<b>241,00 (3)</b>
168633	Nozzle set SATAjet 4000 B RP 2.5	<b>241,00 (3)</b>
166926	Nozzle set SATAjet 4000 B HVLP 1.0	<b>241,00 (3)</b>
166934	Nozzle set SATAjet 4000 B HVLP 1.2	<b>241,00 (3)</b>
166983	Nozzle set SATAjet 4000 B HVLP WSB	<b>241,00 (3)</b>
166942	Nozzle set SATAjet 4000 B HVLP 1.3	<b>241,00 (3)</b>
166967	Nozzle set SATAjet 4000 B HVLP 1.4	<b>241,00 (3)</b>
166975	Nozzle set SATAjet 4000 B HVLP 1.5	<b>241,00 (3)</b>
168658	Nozzle set SATAjet 4000 B HVLP 1.7	<b>241,00 (3)</b>
168666	Nozzle set SATAjet 4000 B HVLP 1.9	<b>241,00 (3)</b>
168674	Nozzle set SATAjet 4000 B HVLP 2.2	<b>241,00 (3)</b>
<b>SATAminijet 3000 B HVLP</b>		<b>EURO</b>
125583	Nozzle set SATAminijet 3000 B HVLP 0.3	<b>118,20 (3)</b>
125591	Nozzle set SATAminijet 3000 B HVLP 0.5	<b>118,20 (3)</b>
125609	Nozzle set SATAminijet 3000 B HVLP 0.8	<b>118,20 (3)</b>
125617	Nozzle set SATAminijet 3000 B HVLP 1.0	<b>118,20 (3)</b>
125625	Nozzle set SATAminijet 3000 B HVLP 1.1	<b>118,20 (3)</b>
125682	Nozzle set SATAminijet 3000 B HVLP 0.8 SR	<b>127,80 (3)</b>
125690	Nozzle set SATAminijet 3000 B HVLP 1.0 SR	<b>127,80 (3)</b>
125708	Nozzle set SATAminijet 3000 B HVLP 1.2 SR	<b>127,80 (3)</b>
125716	Nozzle set SATAminijet 3000 B HVLP 1.4 SR	<b>127,80 (3)</b>
<b>SATAjet B</b>		<b>EURO</b>
4143	Nozzle set SATAjet B 1.0E	<b>153,10 (3)</b>
4127	Nozzle set SATAjet B MSB	<b>153,10 (3)</b>
3848	Nozzle set SATAjet B 1.4E	<b>153,10 (3)</b>
4119	Nozzle set SATAjet B 1.5E	<b>153,10 (3)</b>
4101	Nozzle set SATAjet B 1.7E	<b>153,10 (3)</b>
<b>SATAjet GR</b>		<b>EURO</b>
31252	Nozzle set SATAjet GR 1.3W	<b>153,10 (3)</b>
31898	Nozzle set SATAjet GR 1.5W	<b>153,10 (3)</b>
31997	Nozzle set SATAjet GR 1.7W	<b>153,10 (3)</b>
4093	Nozzle set SATAjet GR 2.0 W	<b>153,10 (3)</b>
13003	Nozzle set SATAjet GR 2.5W	<b>153,10 (3)</b>
13011	Nozzle set SATAjet GR 3.0W	<b>153,10 (3)</b>



**Spare parts for discontinued spray gun models**  
**SATAjet X 5500**

FUTURE	EURO
1006669	<b>10,80 (3)</b>
Kit consisting of coloured marking rings (blue, green, black, packing unit each 1 piece)	
1057414	<b>32,20 (3)</b>
Battery kit	
1097379	<b>12,50 (3)</b>
Universal spanner (pack of 3 pieces)	
1159236	<b>33,30 (3)</b>
Control knob with screw (2 pieces each)	
1159244	<b>51,90 (3)</b>
Air micrometer	
1159252	<b>37,90 (3)</b>
Material flow control with counter nut	
1159301	<b>48,70 (3)</b>
Trigger kit	
1159400	<b>33,90 (3)</b>
Trigger sleeve kit, black	
131987	<b>109,10 (3)</b>
Spare plug-in sieve 200 µm, pastel green (packing unit 100 pieces)	
133934	<b>5,70 (3)</b>
Sealing (packing unit 3 pieces) for spindle	
133942	<b>22,30 (3)</b>
Seal retainer, cpl.	
133959	<b>18,80 (3)</b>
Pressure spring (3 pieces) for paint needle and air piston	
133991	<b>8,20 (3)</b>
Air piston head (packing unit 3 pieces)	
140582	<b>20,30 (3)</b>
Sealing element (packing unit 5 pieces) for fluid tip	
15438	<b>18,60 (3)</b>
Paint needle packing	
16162	<b>36,50 (3)</b>
Swivel joint	
19745	<b>36,50 (3)</b>
Swivel joint	
211391	<b>9,60 (3)</b>
Locking screw (packing unit 3 pieces) for air micrometer	
211409	<b>6,90 (3)</b>
CCS-Clips, green, blue, red, black (packing unit 4 pieces)	
211441	<b>18,60 (3)</b>
Seal retainer with sleeve	
211508	<b>36,60 (3)</b>
Sealing ring (packing unit 5 pieces)	
211516	<b>59,30 (3)</b>
Swivel joint with seal retainer and sleeve	
213025	<b>54,10 (3)</b>
Spindle, cpl., for round / flat spray control	
86843	<b>9,50 (3)</b>
Air piston rod	
96875	<b>1,00 (3)</b>
PVC insert for paint spray guns with QCC cup connection	



Tool kit	EURO
1057323 Universal spanner, combi tool, cleaning brush, CCS clips, paint strainer	<b>32,40 (3)</b>



Repair kit	EURO
1159210 Repair kit	<b>94,20 (3)</b>
82552 Air piston service unit	<b>55,40 (3)</b>
136960 Sealing kit	<b>38,60 (3)</b>
1173286 Maintenance Set	<b>39,50 (3)</b>

All prices are recommended list prices. Errors, technical modifications and printing errors reserved.

SPRAY GUNS

CUP SYSTEMS

BREATHING PROTECTION

FILTER TECHNOLOGY

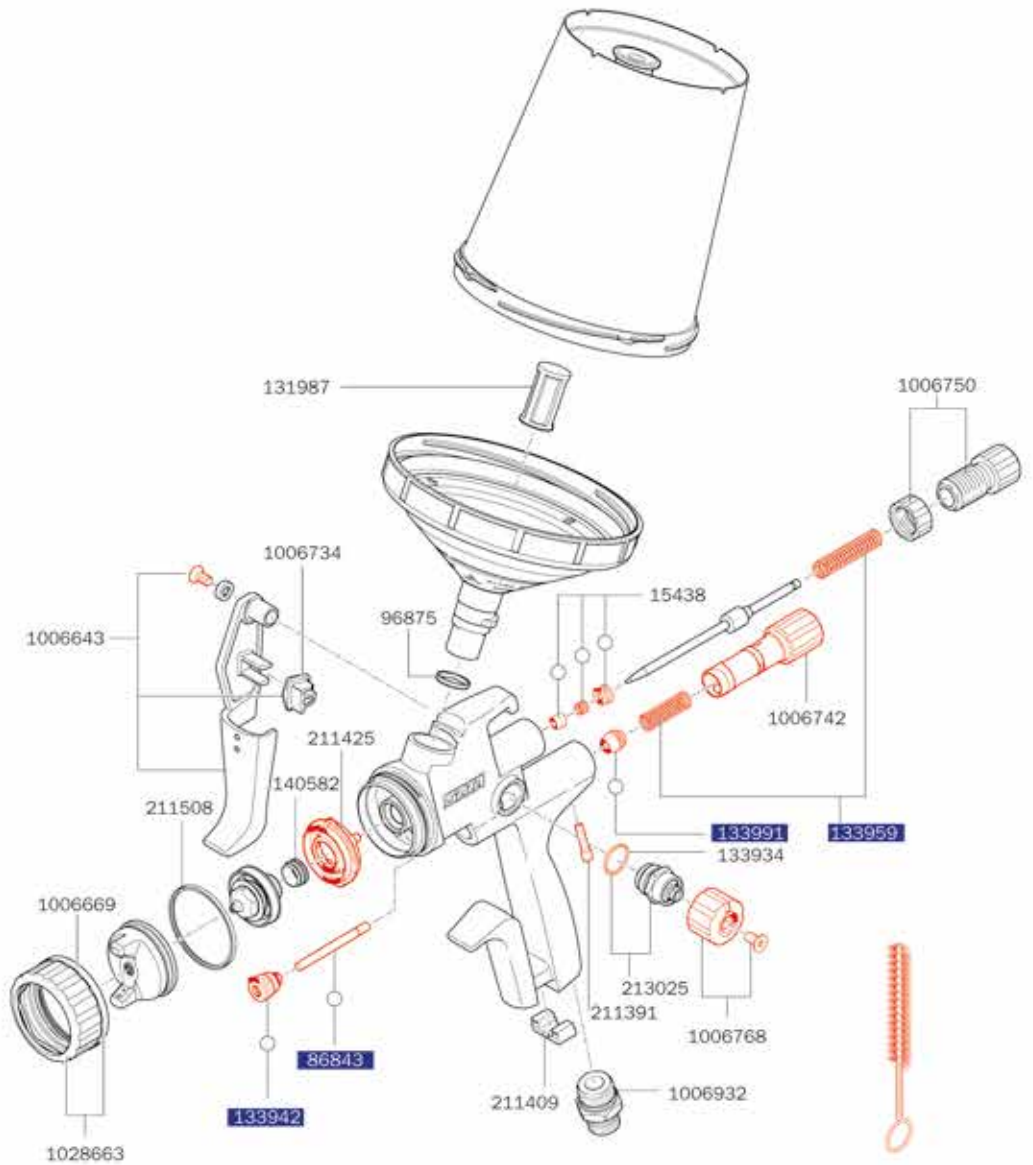
ADDITIONAL PRODUCTS

MERCHANDISING ITEMS

SPRAY GUNS  
 CUP SYSTEMS  
 BREATHING PROTECTION  
 FILTER TECHNOLOGY  
 ADDITIONAL PRODUCTS  
 MERCHANDISING ITEMS

**Spare parts for discontinued spray gun models**  
**SATAjet 5000 B**

PHASER	EURO
1006643	<b>125,60 (3)</b>
Trigger kit	
1006669	<b>10,80 (3)</b>
Kit consisting of coloured marking rings (blue, green, black, packing unit each 1 piece)	
1006734	<b>6,60 (3)</b>
Trigger fixing clip	
1006742	<b>56,70 (3)</b>
Air micrometer	
1006750	<b>34,90 (3)</b>
Material flow control with counter nut	
1006768	<b>41,60 (3)</b>
Control knob with screw (packing unit 2 pieces)	
1006932	<b>14,10 (3)</b>
Air connection piece 1/4" male thread	
1028663	<b>90,40 (3)</b>
Air cap ring, cpl. with color marking ring	
1097379	<b>12,50 (3)</b>
Universal spanner (pack of 3 pieces)	
131979	<b>127,50 (3)</b>
Spare flat sieve 125µm, pastel blue (packing unit 100 pieces)	
131987	<b>109,10 (3)</b>
Spare plug-in sieve 200 µm, pastel green (packing unit 100 pieces)	
133934	<b>5,70 (3)</b>
Sealing (packing unit 3 pieces) for spindle	
133942	<b>22,30 (3)</b>
Seal retainer, cpl.	
133959	<b>18,80 (3)</b>
Pressure spring (3 pieces) for paint needle and air piston	
133991	<b>8,20 (3)</b>
Air piston head (packing unit 3 pieces)	
140582	<b>20,30 (3)</b>
Sealing element (packing unit 5 pieces) for fluid tip	
15438	<b>18,60 (3)</b>
Paint needle packing	
211391	<b>9,60 (3)</b>
Locking screw (packing unit 3 pieces) for air micrometer	
211409	<b>6,90 (3)</b>
CCS-Clips, green, blue, red, black (packing unit 4 pieces)	
211425	<b>21,40 (3)</b>
Air distribution ring (packing unit 3 pieces)	
211508	<b>36,60 (3)</b>
Sealing ring (packing unit 5 pieces)	
213025	<b>54,10 (3)</b>
Spindle, cpl., for round / flat spray control	
86843	<b>9,50 (3)</b>
Air piston rod	
96875	<b>1,00 (3)</b>
PVC insert for paint spray guns with QCC cup connection	



Tool kit	EURO
211524 Universal spanner, combi tool, cleaning brush, CCS clips, paint strainer	<b>32,40 (3)</b>

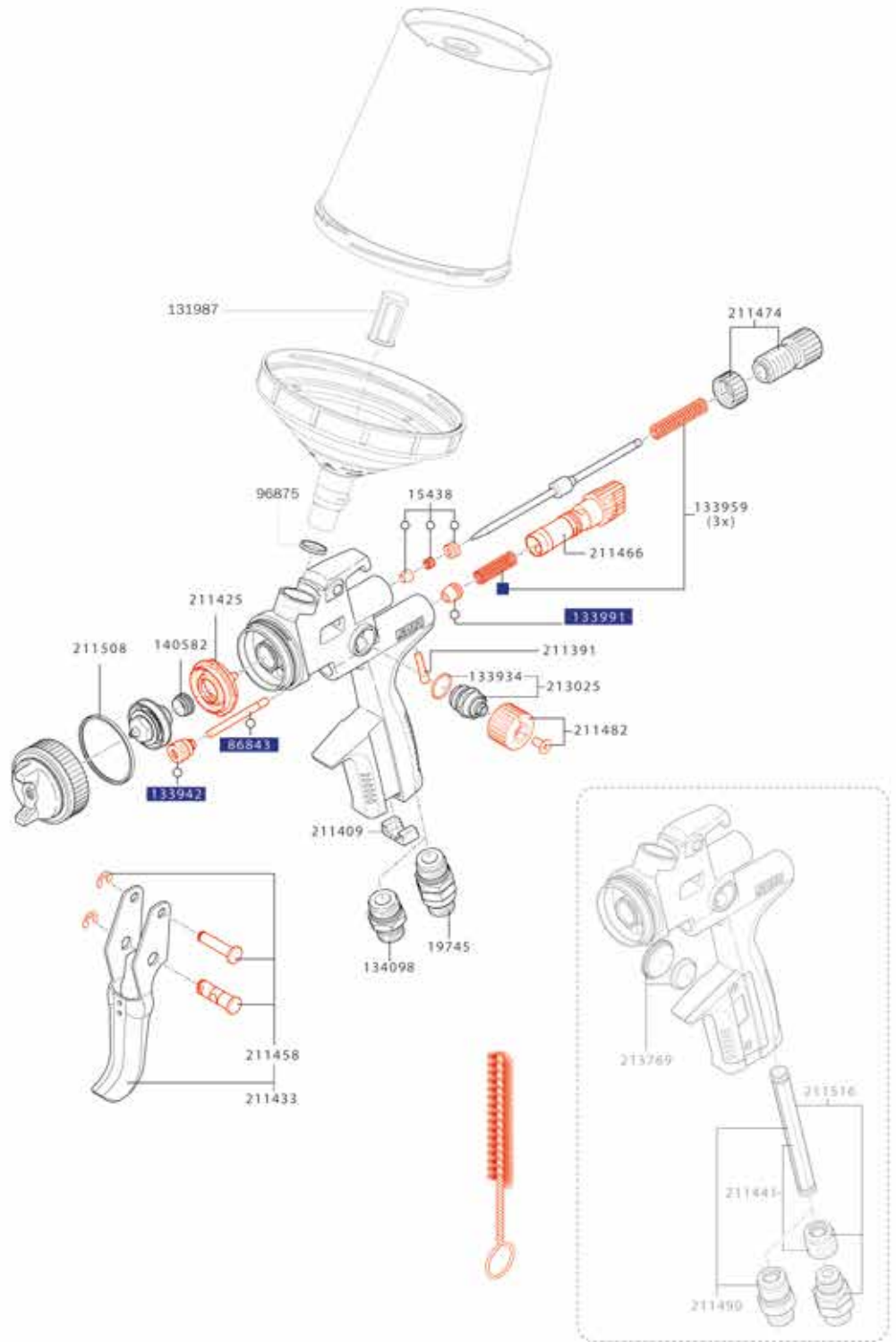


Repair kit	EURO
1006809 Repair kit	<b>93,70 (3)</b>
82552 Air piston service unit	<b>55,40 (3)</b>
136960 Sealing kit	<b>38,60 (3)</b>



**Spare parts for discontinued spray gun models**

SATAjet 5000 B	EURO
1097379	12,50 (3)
Universal spanner (pack of 3 pieces)	
131987	109,10 (3)
Spare plug-in sieve 200 µm, pastel green (packing unit 100 pieces)	
133934	5,70 (3)
Sealing (packing unit 3 pieces) for spindle	
133942	22,30 (3)
Seal retainer, cpl.	
133959	18,80 (3)
Pressure spring (3 pieces) for paint needle and air piston	
133991	8,20 (3)
Air piston head (packing unit 3 pieces)	
134098	12,40 (3)
Air connection piece 1/4" (male thread)	
140582	20,30 (3)
Sealing element (packing unit 5 pieces) for fluid tip	
15438	18,60 (3)
Paint needle packing	
16162	36,50 (3)
Swivel joint	
19745	36,50 (3)
Swivel joint	
211391	9,60 (3)
Locking screw (packing unit 3 pieces) for air micrometer	
211409	6,90 (3)
CCS-Clips, green, blue, red, black (packing unit 4 pieces)	
211425	21,40 (3)
Air distribution ring (packing unit 3 pieces)	
211433	38,90 (3)
Trigger kit	
211441	18,60 (3)
Seal retainer with sleeve	
211458	29,80 (3)
Trigger sleeve kit	
211466	51,90 (3)
Air micrometer	
211474	30,80 (3)
Material flow control with counter nut	
211482	32,10 (3)
Control knob with screw (each 2 pieces)	
211490	27,00 (3)
Air connection with sleeve	
211508	36,60 (3)
Sealing ring (packing unit 5 pieces)	
211516	59,30 (3)
Swivel joint with seal retainer and sleeve	
213025	54,10 (3)
Spindle, cpl., for round / flat spray control	
213769	30,40 (3)
Battery kit	
86843	9,50 (3)
Air piston rod	
96875	1,00 (3)
PVC insert for paint spray guns with QCC cup connection	



Tool kit	EURO
211524 Universal spanner, combi tool, cleaning brush, CCS clips, paint strainer	32,40 (3)



Repair kit	EURO
211532 Repair kit	93,00 (3)
82552 Air piston service unit	55,40 (3)
136960 Sealing kit	38,60 (3)

All prices are recommended list prices. Errors, technical modifications and printing errors reserved.

SPRAY GUNS

CUP SYSTEMS

BREATHING PROTECTION

FILTER TECHNOLOGY

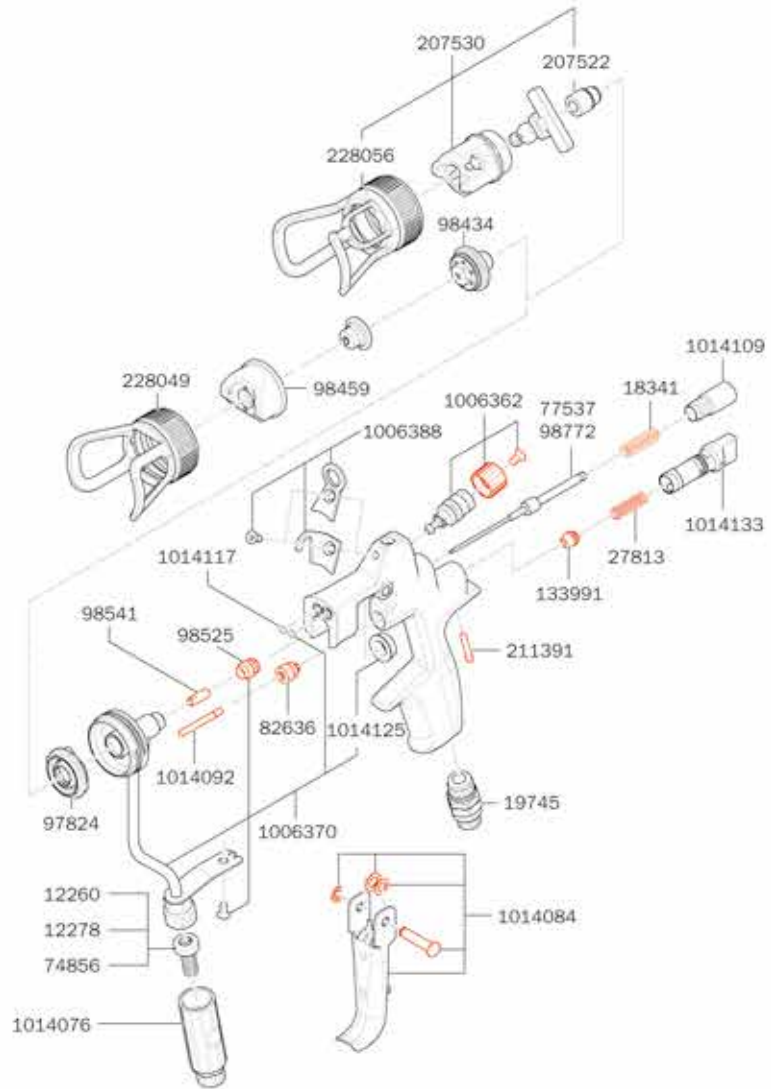
ADDITIONAL PRODUCTS

MERCHANDISING ITEMS

SPRAY GUNS  
 CUP SYSTEMS  
 BREATHING PROTECTION  
 FILTER TECHNOLOGY  
 ADDITIONAL PRODUCTS  
 MERCHANDISING ITEMS

**Spare parts for discontinued spray gun models**  
**SATAjet 4800 K**

spray mix	EURO
1006362	53,40 (4)
Round/Flat spray control, cpl.	
1006370	235,40 (3)
Nozzle head and material supply cpl., without filter adapter and swivel joint	
1014076	182,10 (4)
Material filter housing, cpl. with swivel joint	
1014084	69,70 (4)
Trigger kit	
1014092	10,20 (4)
Air piston rod	
1014109	20,60 (4)
Locking screw	
1014117	26,80 (4)
O-ring nozzle head (packing unit 10 pieces)	
1014125	9,40 (4)
Nozzle head nut	
1014133	41,40 (4)
Air micrometer, cpl.	
12260	80,10 (4)
Sieve 60 msh (packing unit 4 pieces)	
12278	80,10 (4)
Sieve, 100 msh (packing unit 4 pieces)	
133991	8,20 (3)
Air piston head (packing unit 3 pieces)	
18341	2,90 (4)
Pressure spring for paint needle	
19745	36,50 (3)
Swivel joint	
207522	67,70 (4)
Gasket unit inversion switch	
207530	419,00 (4)
Retrofit kit, inversion switch without inversion nozzle	
211391	9,60 (3)
Locking screw (packing unit 3 pieces) for air micrometer	
228049	43,20 (4)
Air cap ring with protection against accidental contact	
228056	62,80 (4)
Air cap ring with protection against accidental contact	
27813	3,30 (3)
Spring for air piston of SATA spray guns except for SATA minijet	
74856	81,40 (4)
Strainer kit: Sieve 200 msh (4 pcs.) strainer holder ( 2 pcs.), screw (1 pcs.)	
77537	63,50 (4)
Paint needle SATAjet 4800 K spray mix, 3000 K spray mix, jet K3 spray mix without needle tip	
82636	31,90 (4)
Seal retainer, cpl.	
97824	21,60 (3)
Air distribution ring (3 pieces)	
98434	111,40 (4)
Pre-nozzle, cpl. SATA jetK3 Spray mix	
98459	76,70 (4)
Air cap round/flat spray fan	
98525	57,00 (4)
Seal retainer, cpl.	
98541	42,50 (4)
Carbide needle tip	
98772	103,10 (4)
Paint needle with carbide needle tip, cpl.	

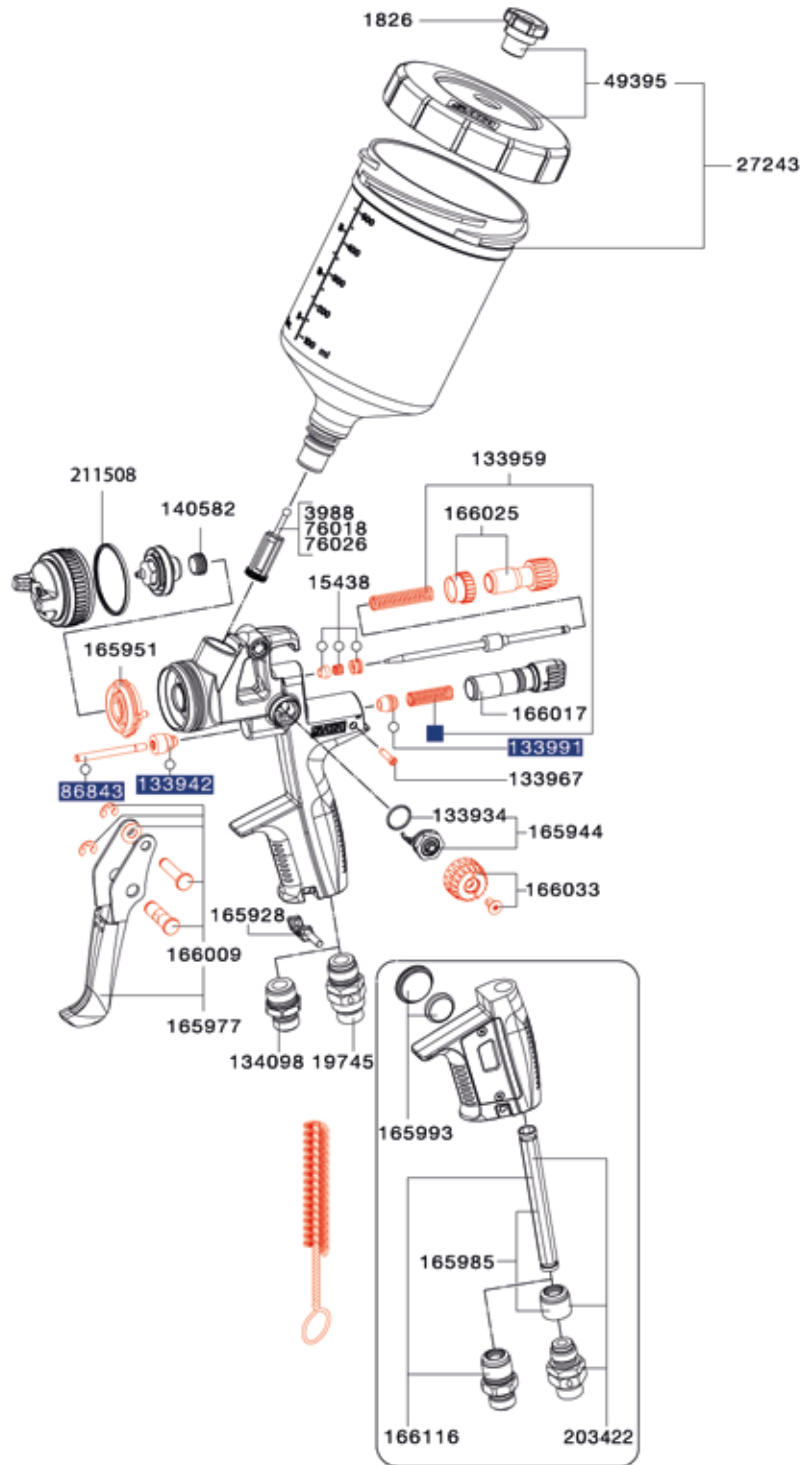


Tool kit	EURO
1006966 Universal spanner, Cleaning brush, Extraction tool	36,50 (3)
30833 SATA nozzle cleaning kit, includes sealing insert and cap	136,30 (4)

Repair kit	EURO
1006940 Repair kit	131,30 (4)

**Spare parts for discontinued spray gun models**

SATAJet 4000 B	EURO
133934	5,70 (3)
Sealing (packing unit 3 pieces) for spindle	
133942	22,30 (3)
Seal retainer, cpl.	
133959	18,80 (3)
Pressure spring (3 pieces) for paint needle and air piston	
133967	9,10 (3)
Adjustment screw (packing unit 3 pieces) for air micrometer	
133991	8,20 (3)
Air piston head (packing unit 3 pieces)	
134098	12,40 (3)
Air connection piece 1/4" (male thread)	
140582	20,30 (3)
Sealing element (packing unit 5 pieces) for fluid tip	
15438	18,60 (3)
Paint needle packing	
165928	6,40 (3)
CCS Clips, green, blue, red, black (packing unit 4 pieces)	
165944	55,30 (3)
Spindle for round/flat spray control >Quarter Turn<	
165951	23,20 (3)
Air distribution ring (packing unit 3 pieces)	
165977	28,90 (3)
Trigger kit	
165985	19,20 (3)
Seal retainer with sleeve	
165993	31,20 (3)
Battery kit	
166009	20,70 (3)
Trigger sleeve kit	
166017	48,30 (3)
Air micrometer	
166025	30,20 (3)
Material flow control with counter nut	
166033	27,20 (3)
Control knob with screw (each 2 pieces)	
166116	27,20 (3)
Air connection with sleeve	
1826	21,20 (3)
Anti-drip device (packing unit 4 pieces)	
19745	36,50 (3)
Swivel joint	
203422	54,10 (3)
Seal retainer with sleeve and swivel joint	
211508	36,60 (3)
Sealing ring (packing unit 5 pieces)	
27243	59,70 (3)
Reusable plastic cup, 0.6 l with QCC without fine thread for SATAJet 5000 series, jet 4000 B, jet 3000 B, jet 2000, jet 1000 B, jet 100 B, jet RP, minijet 4400 B	
3988	26,80 (3)
Paint strainer, 300 µm (packing unit 10 pieces)	
49395	24,30 (3)
Screw-on lid for 0.6 l PVC cup with drip-catching ring and non-drip device	
76018	225,90 (3)
Paint strainer, 300 µm (packing unit 100 pieces)	
76026	992,00 (3)
Paint strainer, 300 µm (packing unit 500 pieces)	
86843	9,50 (3)
Air piston rod	



Tool kit	EURO
165936 Universal spanner, combi tool, cleaning brush, extraction tool, CCS clips, paint strainer	29,70 (3)



Repair kit	EURO
166058 Repair kit	79,70 (3)
82552 Air piston service unit	55,40 (3)
136960 Sealing kit	38,60 (3)

All prices are recommended list prices. Errors, technical modifications and printing errors reserved.

SPRAY GUNS

CUP SYSTEMS

BREATHING PROTECTION

FILTER TECHNOLOGY

ADDITIONAL PRODUCTS

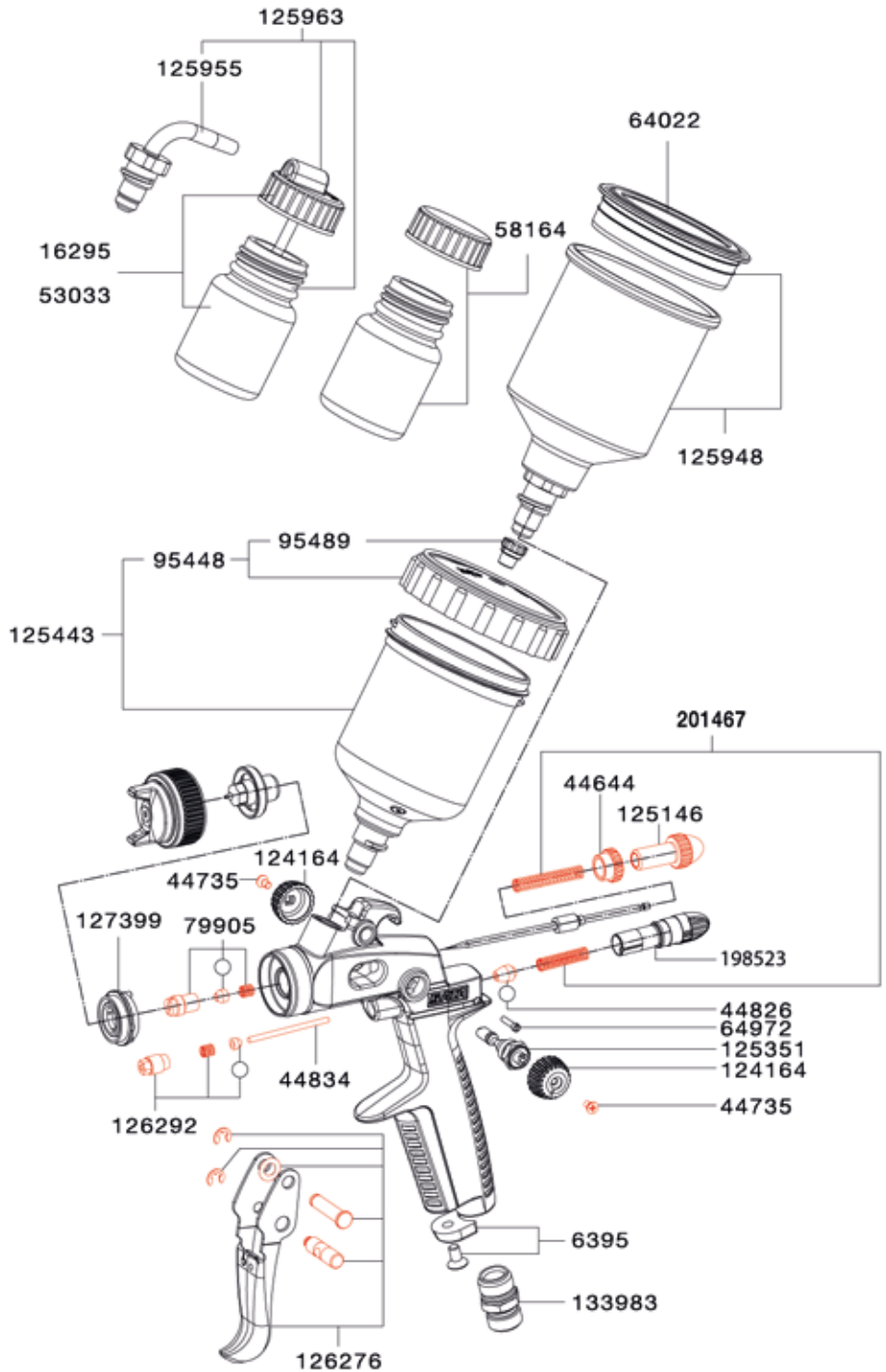
MERCHANDISING ITEMS

SPRAY GUNS  
 CUP SYSTEMS  
 BREATHING PROTECTION  
 FILTER TECHNOLOGY  
 ADDITIONAL PRODUCTS  
 MERCHANDISING ITEMS

**Spare parts for discontinued spray gun models**

**SATAmijet  
3000 B HVLP**

	EURO
124164	<b>14,60 (3)</b>
Control knob	
125146	<b>14,10 (3)</b>
Material flow control screw	
125351	<b>44,30 (3)</b>
Spindle SATAmijet 3000 B HVLP, minijet 4 HVLP	
125443	<b>56,10 (3)</b>
Reusable plastic cup, 0.125 l with QCC and fine thread for SATAmijet spray guns (except minijet 4400 B) and SATAJet 20 B	
125948	<b>56,60 (3)</b>
0.15 l QCC reusable aluminium cup, cpl.for SATAmijet (except minijet 4400) and jet 20 B	
125955	<b>62,20 (3)</b>
Plug-in cup connection with QCC SATAJet 20 B, dekor 2000, minijet 3000 B HVLP, minijet 4 HVLP	
125963	<b>200,10 (3)</b>
25 ml glass cup with plug-in lid (packing unit 5 pieces) and QCC plug-in connection (packing unit 1 piece)	
126276	<b>19,80 (3)</b>
Trigger kit	
126292	<b>15,30 (3)</b>
Packing kit air piston rod SATAmijet 3000 B HVLP, minijet 4 HVLP	
127399	<b>20,80 (3)</b>
Air distribution ring (packing unit 3 pieces)	
133983	<b>13,40 (3)</b>
Air connection piece 1/4" male thread	
16295	<b>34,40 (3)</b>
25 ml glass cup with plug-in cup	
198523	<b>27,00 (3)</b>
Air micrometer, complete	
201467	<b>18,50 (3)</b>
Pressure spring (each 3 pieces) for paint needle and air piston	
44644	<b>6,80 (3)</b>
Counter nut	
44735	<b>2,80 (3)</b>
Countersunk screw M 2.5 x 5, VA	
44826	<b>7,70 (3)</b>
Air piston head	
44834	<b>4,00 (3)</b>
Air piston rod	
53033	<b>147,80 (3)</b>
25 ml glass cup with plug-in cup (packing unit 5 pieces)	
58164	<b>37,10 (3)</b>
25 ml glass cup with blind lid (packing unit 5 pieces)	
6395	<b>6,80 (3)</b>
CCS Clips, green, blue, red, black (packing unit 4 pieces)	
64022	<b>18,80 (3)</b>
Plastic lid (3 pieces)	
64972	<b>2,80 (3)</b>
Adjustment screw for air micrometer	
79905	<b>13,40 (3)</b>
Paint needle packing	
95448	<b>17,60 (3)</b>
Screw-on lid 125 ccm PVC cup with anti-drip device	
95489	<b>21,00 (3)</b>
Anti-drip device (4 pieces)	



Tool kit	EURO
125856 Universal spanner, Cleaning brush, Extraction tool, Wrench	<b>22,30 (3)</b>



Repair kit	EURO
126284 Repair kit	<b>78,60 (3)</b>
50658 Sealing kit	<b>21,20 (3)</b>

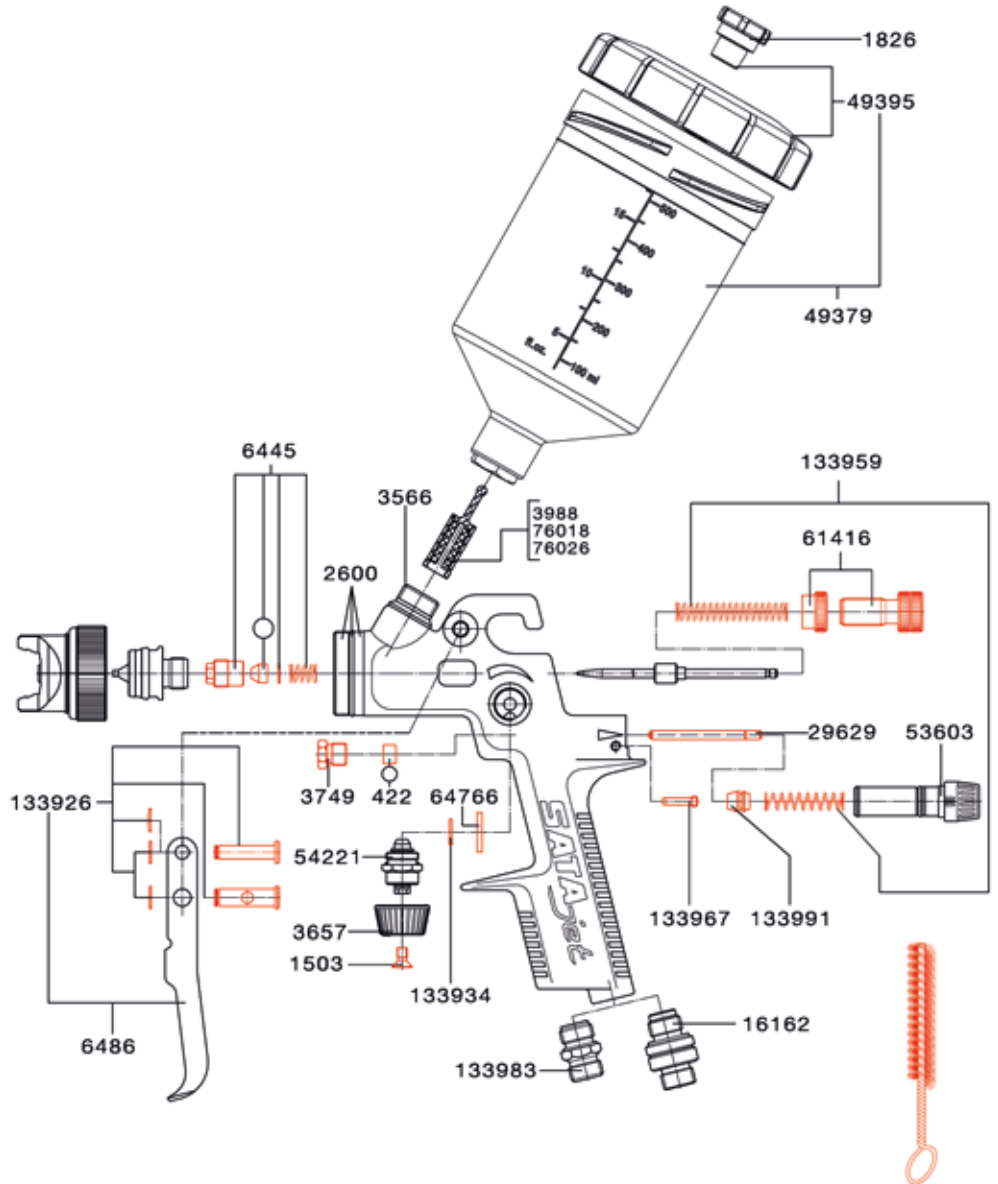
**Spare parts for discontinued spray gun models**

**SATAjet B /**

**SATAjet GR**

EURO

133926	20,60 (3)
Trigger sleeve kit	
133934	5,70 (3)
Sealing (packing unit 3 pieces) for spindle	
133959	18,80 (3)
Pressure spring (3 pieces) for paint needle and air piston	
133967	9,10 (3)
Adjustment screw (packing unit 3 pieces) for air micrometer	
133983	13,40 (3)
Air connection piece 1/4" male thread	
133991	8,20 (3)
Air piston head (packing unit 3 pieces)	
1503	2,80 (3)
Countersunk screw M4 x 8 DIN 965, stainless steel, for micrometer und round/flat spray control	
16162	36,50 (3)
Swivel joint	
1826	21,20 (3)
Anti-drip device (packing unit 4 pieces)	
2600	63,60 (3)
Service unit for nozzle insert for SATAjet/B, H, K and NR 92, consisting of nozzle insert, distribution plate and sealing ring	
29629	9,50 (3)
Air piston rod	
3566	12,30 (3)
Inlet nipple	
3657	23,80 (3)
Control knob	
3749	10,90 (3)
Stuffing box for air piston SATAjet, KL, HKD and MC-B	
3988	26,80 (3)
Paint strainer, 300 µm (packing unit 10 pieces)	
422	3,30 (3)
Gasket for air piston	
49379	62,90 (3)
0.6 l reusable plastic cup, with fine thread cpl. for SATAjet B, jet GR, jet NR 95, jet 3000 LAB, jet 4000 LAB, jet 5000 LAB	
49395	24,30 (3)
Screw-on lid for 0.6 l PVC cup with drip-catching ring and non-drip device	
53603	46,50 (3)
Air micrometer	
54221	35,30 (3)
Spindle complete, for SATAjet/90, SATAjet, regulation valve and MC-B	
61416	18,80 (3)
Material flow control with counter nut	
6445	19,20 (3)
Paint needle packing	
64766	6,80 (3)
Washer	
6486	24,80 (3)
Trigger kit	
76018	225,90 (3)
Paint strainer, 300 µm (packing unit 100 pieces)	
76026	992,00 (3)
Paint strainer, 300 µm (packing unit 500 pieces)	



Tool kit	EURO
9654 Universal spanner, Cleaning brush, Allen wrench 4 mm width, Allen wrench 2 mm width, Paint strainer, Socket wrench 7 mm width	23,20 (3)



Repair kit	EURO
69666 Repair kit	78,40 (3)
9829 Sealing kit	21,20 (3)

All prices are recommended list prices. Errors, technical modifications and printing errors reserved.

SPRAY GUNS

CUP SYSTEMS

BREATHING PROTECTION






FILTER TECHNOLOGY

ADDITIONAL PRODUCTS

MERCHANDISING ITEMS





Cup Systems	Product description	Product advantages
 <p><b>RPS - the Original</b> 92</p>	<p>The SATA RPS (Rapid Preparation System) multi-purpose cup system fulfils four functions: mixing, painting, refilling, storing, etc. The handling of SATA RPS is so simple because it consists of only three parts: SATA RPS fits directly onto your SATA spray gun with QCC connector (Quick Cup Connector) without any disturbing adapters. Due to the short color channel and without unnecessary corners and edges, material deposits in the color channel are prevented.</p>	<ul style="list-style-type: none"> <li>• Bendable – allows the painting of sill areas or wheel arches "overhead"</li> <li>• Stable – due to the screw connection between cup and lid, the cup always remains on the lid and gun even when touching obstacles.</li> <li>• Easy removal of the lid in case of emergency – without soiling the working area</li> <li>• Clean removal of the cup – by pressing the cup in, vacuum is created, which empties the material passage when pulling the trigger.</li> <li>• Constant material flow – helps the painter to achieve perfect coating results just like child's play</li> <li>• Very quick colour change – Cleaning becomes a minor matter</li> <li>• Available in 3 cup sizes: 0.3 l, 0.6 l and 0.9 l</li> <li>• Available as UV version: 0.6 l</li> </ul>
 <p><b>LCS - the Liner</b> 96</p>	<p>The first liner cup by SATA - optimised for SATA. Like RPS this cup fits all SATA guns without an adaptor. Adaptors for non SATA spray guns are available. There are many additional advantages: a more favourable centre of gravity, easier cleaning, lowerweight, less damage to the spray gun.</p>	<ul style="list-style-type: none"> <li>• Suitable for all SATA spray guns with QCC connection, no adaptor required</li> <li>• Particle-free: the premium strainers</li> <li>• Lid with safety lock</li> <li>• Liner (inner cup) made of extra-soft and thin material for smooth, even paint flow</li> <li>• Highly transparent hard cup (outer cup) with complete and detailed scale system for easy mixing; upside-down scale shows the remaining quantity when painting</li> <li>• Available in 3 cup sizes: 0.40 litre, 0.65 litre and 0.85 litre</li> </ul>
 <p><b>Gravity flow cup for spray guns</b> 102</p>	<p>Reusable plastic or aluminium gravity flow cups for SATA spray guns</p>	<ul style="list-style-type: none"> <li>• Proven SATA quality</li> <li>• Flexible in use</li> </ul>
 <p><b>SATA agitator cup</b> 106</p>	<p>The SATA agitator cup is the ideal cup for processing quick settling materials, such as effect paints. The reusable aluminium cup fits directly onto your SATA paint spray gun with QCC (Quick Cup Connector) connection – without the need of adapters. Due to the short paint channel and without unnecessary corners and edges, material deposits are also prevented.</p>	<ul style="list-style-type: none"> <li>• Variable - Air control valve allows adjustment of inlet flow pressure and agitator speed</li> <li>• Clean – Drip stop in the lid supports clean working</li> <li>• Constant material flow – helps the painter to achieve perfect coating results</li> </ul>
 <p><b>SATA BVD</b> 108</p>	<p>The SATA BVD is ideal for low-overspray processing of highly viscous, sprayable materials.</p>	<ul style="list-style-type: none"> <li>• No modification of the viscosity required</li> <li>• Individual material pressure adjustment</li> <li>• Female thread connection optional for older spray guns</li> </ul>

# RPS - the Original



RPS 0,3 I	EURO
1202043 RPS 0.3 I - the Original - 125 µm flat sieve pack of 50 pieces	<b>110,40 (8)</b>
1214816 RPS 0.3 I - the Original - 125 µm flat sieve Megapack pack of 100 pieces	<b>220,90 (8)</b>
1202077 RPS 0.3 I - the Original - 200 µm plug-in sieve pack of 50 pieces	<b>110,40 (8)</b>
1214824 RPS 0.3 I - the Original - 200 µm plug-in sieve Megapack pack of 100 pieces	<b>220,90 (8)</b>
RPS 0,6 I	EURO
1202100 RPS 0.6 I - the Original - 125 µm flat sieve pack of 50 pieces	<b>127,10 (8)</b>
1202134 RPS 0.6 I - the Original - 200 µm plug-in sieve pack of 50 pieces	<b>127,10 (8)</b>



SPRAY GUNS









CUP SYSTEMS

BREATHING PROTECTION

FILTER TECHNOLOGY

ADDITIONAL PRODUCTS

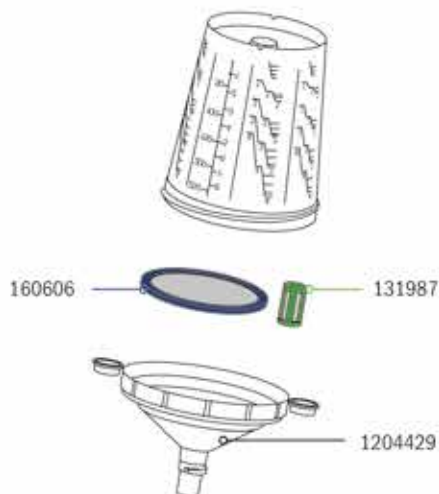
MERCHANDISING ITEMS

<b>RPS 0,9 l</b>		EURO
1202259	RPS 0.9 l - the Original - 125 µm flat sieve pack of 50 pieces	<b>146,90 (8)</b>
		
1202267	RPS 0.9 l - the Original - 200 µm plug-in sieve pack of 50 pieces	<b>146,90 (8)</b>
		
<b>RPS 0,6 l UV</b>		EURO
1202142	RPS UV 0.6 l - the Original - 125 µm flat sieve pack of 50 pieces	<b>146,90 (8)</b>
		
1202150	RPS UV 0.6 l - the Original - 200 µm plug-in sieve pack of 50 pieces	<b>146,90 (8)</b>
		
<b>Accessories for RPS</b>		EURO
144840	SATA RPS depot to store RPS boxes	<b>45,80 (5)</b>
		
127852	Spray bottle 1.0 l	<b>8,20 (3)</b>
		
127860	Pump-spray cleaning bottle, not suitable for thinner	<b>45,20 (3)</b>
		
165399	SATA RPS mix lid, flat lid (packing unit 50 pieces) allows stacking of RPS 0.6 l and 0.9 l cups	<b>35,50 (3)</b>
		

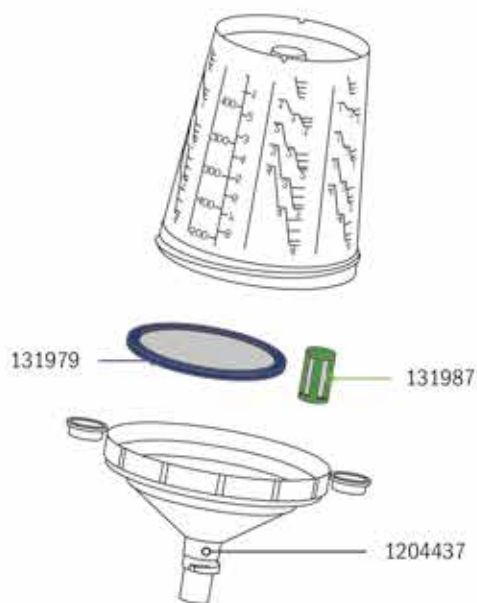
Spare parts

RPS - the Original	EURO
1013218	<b>60,70 (3)</b>
Spare lid for SATA RPS 0.3 l Standard (packing unit 60 pieces)	
1013226	<b>87,30 (3)</b>
Spare lid for SATA RPS 0.6 l / 0.9 l (packing unit 80 pieces)	
1013234	<b>109,00 (3)</b>
Spare lid for SATA RPS 0.3 l minijet (packing unit 108 pieces)	
1204429	<b>51,20 (8)</b>
Spare lid RPS 0.3 l	
1204437	<b>110,30 (8)</b>
Spare lid RPS 0.6 l / 0.9 l	
131979	<b>127,50 (3)</b>
Spare flat sieve 125µm, pastel blue (packing unit 100 pieces)	
131987	<b>109,10 (3)</b>
Spare plug-in sieve 200 µm, pastel green (packing unit 100 pieces)	
160606	<b>63,10 (3)</b>
Spare flat sieve 125 µm, pastel blue (60 pieces)	

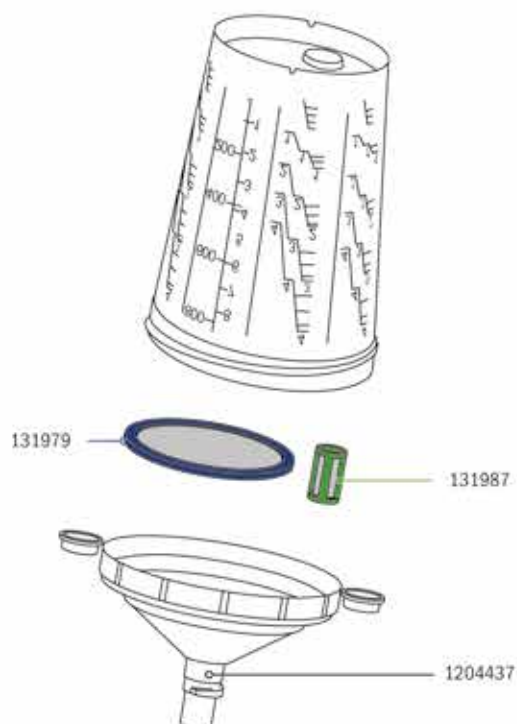
RPS 0,3 l



RPS 0,6 l



RPS 0,9 l







# LCS - the Liner



SPRAY GUNS

CUP SYSTEMS

BREATHING PROTECTION

FILTER TECHNOLOGY

ADDITIONAL PRODUCTS

MERCHANDISING ITEMS

## LCS 0,40 I

1195818  
LCS 0.40 I - the Liner - 125 µm flat sieve pack of 50 pieces

EURO  
**71,10 (8)**



1195826  
LCS 0.40 I - the Liner - 200 µm flat sieve pack of 50 pieces

**71,10 (8)**



## LCS 0,65 I

1195834  
LCS 0.65 I - the Liner - 125 µm flat sieve pack of 50 pieces

EURO  
**81,90 (8)**



1195850  
LCS 0.65 I - the Liner - 200 µm flat sieve pack of 50 pieces

**81,90 (8)**



**LCS 0,85 l**

EURO

1195868

**95,30 (8)**

LCS 0.85 l - the Liner - 125 µm flat sieve pack of 50 pieces



1195876

**95,30 (8)**

LCS 0.85 l - the Liner - 200 µm flat sieve pack of 50 pieces

**Accessories for LCS**

EURO

127852

**8,20 (3)**

Spray bottle 1.0 l



127860

**45,20 (3)**

Pump-spray cleaning bottle, not suitable for thinner

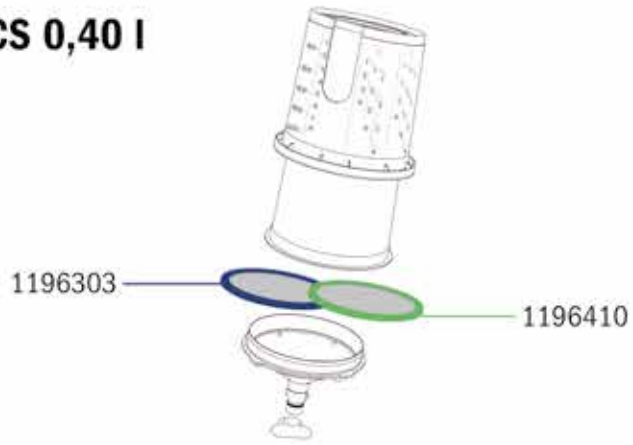


Spare parts

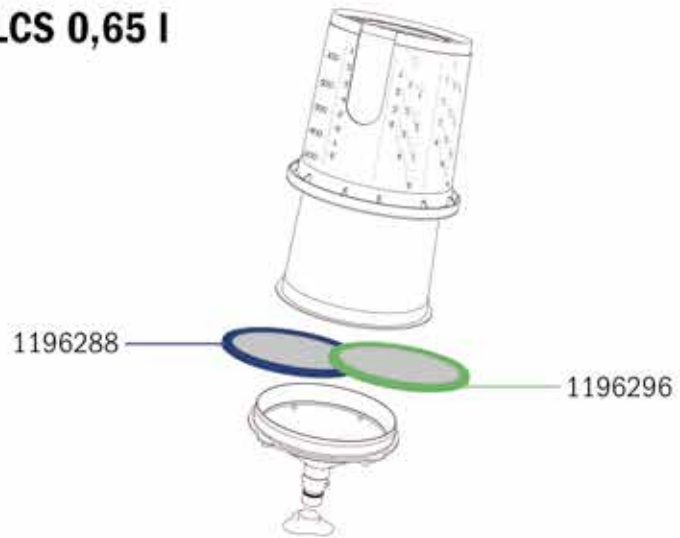
**LCS - the Liner** EURO

1196303	<b>103,20 (3)</b>
LCS spare lid including flat sieve, 0.40 l - the Liner - 125 µm flat sieve pack of 75 pieces	
1196410	<b>103,20 (3)</b>
LCS spare lid including flat sieve, 0.40 l - the Liner - 200 µm flat sieve pack of 75 pieces	
1196296	<b>108,10 (3)</b>
LCS spare lid including flat sieve, 0.65 l / 0.85 l - the Liner - 125 µm flat sieve pack of 75 pieces	
1196288	<b>108,10 (3)</b>
LCS spare lid including flat sieve, 0.65l/0.85 l - the Liner - 200 µm flat sieve pack of 75 pieces	

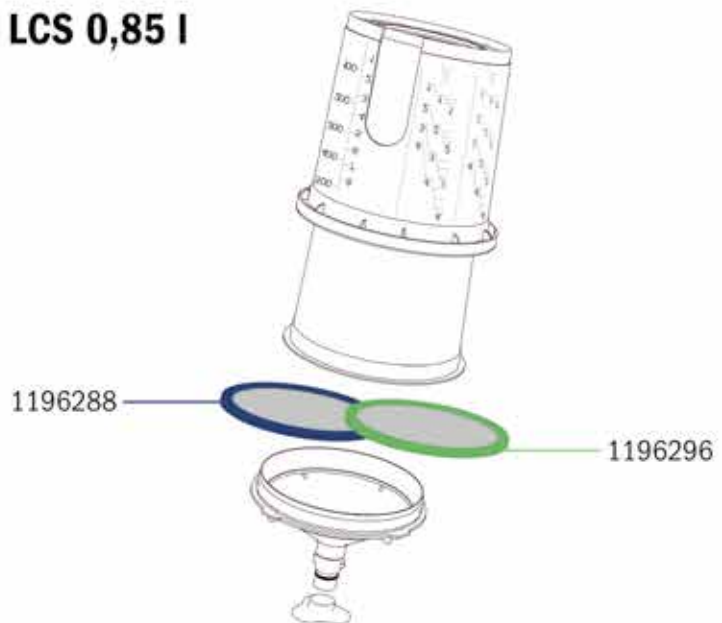
**LCS 0,40 l**



**LCS 0,65 l**



**LCS 0,85 l**



SPRAY GUNS

CUP SYSTEMS

BREATHING PROTECTION

FILTER TECHNOLOGY

ADDITIONAL PRODUCTS

MERCHANDISING ITEMS

# SATA Loyalty Program

coins & more



## We reward your customers with SATA coins

Purchasing SATA products is twice as rewarding: you can achieve perfect finishes and as a participant in the SATA Loyalty Program coins & more you can collect SATA coins and redeem them for valuable rewards.

Many SATA products are delivered with a QR code of the SATA Loyalty Program coins & more. You can scan the Loyalty QR codes with the SATA Loyalty App to collect SATA coins, which can then be redeemed for valuable rewards in the Loyalty Shop.

**Benefit from the SATA customer loyalty program and its advantages:**

- High-quality SATA product with bonus thanks to the SATA coins
- Many SATA products with Loyalty QR code to collect SATA coins
- Further options to collect coins in the SATA Loyalty App
- Wide range of rewards including SATA products
- Exclusive rewards and special prices during certain promotional periods



INFORMATION ON THE PROGRAM

[www.sata.com/coins-and-more](http://www.sata.com/coins-and-more)



PRODUCTS WITH LOYALTY QR CODE

[www.sata.com/coins-and-more-products](http://www.sata.com/coins-and-more-products)



ONLINE REGISTRATION

[www.sata.com/coins-and-more-login](http://www.sata.com/coins-and-more-login)

## Do you still have questions?

If you have any further questions, please do not hesitate to contact the SATA Loyalty Team:  
loyalty@sata.com

Thank you for your support!  
Your SATA Loyalty Team



## Accessories for RPS

Technical Data	SATA RPS wall dispenser	SATA RPS extension kit	SATA RPS rotawall adapter kit	SATA RPS rotafloor adapter kit
Height	100 cm	100 cm	136 cm	210 cm
Depth	18 cm	18 cm		
Width	80 cm	40 cm		
Diameter			65 cm	65 cm



### Available versions

EURO

195784  
SATA RPS wall dispenser, standard version: 2x cup tubes / 2x lid tubes / 2x sieve tubes and 2x aluminium slats

**268,90 (5)**



195776  
SATA RPS extension kit, add-on kit: 1x cup tube / 1x lid tube / 1x sieve tube for flat sieves, with aluminium slat

**117,50 (5)**



196543  
SATA RPS rotawall adapter kit: carousel, base spindle and wall holder (top and bottom)- Tubes are not included in the scope of delivery

**213,30 (5)**



196550  
SATA RPS rotafloor adapter kit: carousel, base spindle, steel pipe - Tubes and bottom plates are not included in the scope of delivery













**391,20 (5)**



197723  
Ground plate for SATA RPS rotafloor adapter kit Important: Always order with 196550 and 195784 !

**131,10 (5)**












Spare parts for SATA RPS dispenser		EURO	
1008219	Dispenser bowl for plug-in sieve for SATA RPS dispenser	7,40 (3)	
1008227	Dispenser flap for plug-in sieve for SATA RPS dispenser	5,00 (3)	
1008285	Support frame for lid dispenser for SATA RPS dispenser	5,80 (3)	
1028605	Bracket for plug-in sieve dispenser tray for SATA RPS dispenser	4,10 (3)	
213629	Fixing kit for dispenser tubes lid/cup with adhesive pad, adhesive foil, holder for SATA RPS dispenser	12,60 (3)	
213637	Cup holder for tube for SATA RPS dispenser	6,30 (3)	
213645	Absorption brush for lid standard for SATA RPS dispenser	18,50 (3)	
213652	Absorption brush for lid mini for SATA RPS dispenser	16,90 (3)	
213660	Dispenser tube for lids for SATA RPS dispenser	17,40 (3)	
213678	Cardboard tube for cups for SATA RPS dispenser	16,90 (3)	
213686	Tube for plug-in and flat sieves for SATA RPS dispenser	9,10 (3)	
215483	Fixing rivet (packing unit 4 pieces) for absorption brush for SATA RPS dispenser	4,60 (3)	
215616	Spare part flat sieve dispenser bottom (1x) for SATA RPS dispenser	4,00 (3)	

# Gravity flow cup for spray guns

Reusable plastic cup	EURO	
197541 Reusable plastic cup, 0.125 l with QCC without fine thread	<b>56,10 (3)</b>	
125443 Reusable plastic cup, 0.125 l with QCC and fine thread for SATAMinijet spray guns (except minijet 4400 B) and SATAjet 20 B	<b>56,10 (3)</b>	
120675 0.3 l QCC reusable plastic cup, cpl. for SATAjet 5000 series, jet 4000, jet 1000, jet 100, jet 3000, minijet 4400	<b>67,90 (3)</b>	
48587 0.3 l reusable plastic cup, with fine thread, cpl. for SATAjet B, jet GR, jet NR 95	<b>60,90 (3)</b>	
128470 0.3 l QCC reusable plastic cup, compl. for SATAMinijet 3000 B, minijet 1-4, jet 20 B	<b>59,90 (3)</b>	
27243 Reusable plastic cup, 0.6 l with QCC without fine thread for SATAjet 5000 series, jet 4000 B, jet 3000 B, jet 2000, jet 1000 B, jet 100 B, jet RP, minijet 4400 B	<b>59,70 (3)</b>	
1004960 0.6 l QCC reusable plastic cup with fine thread cpl. for SATA KLC, LM 2000, jet 90-2, jet RP	<b>59,70 (3)</b>	
49379 0.6 l reusable plastic cup, with fine thread cpl. for SATAjet B, jet GR, jet NR 95, jet 3000 LAB, jet 4000 LAB, jet 5000 LAB	<b>62,90 (3)</b>	

**Aluminium reusable cup**












EURO

198911	Reusable aluminium cup, 0.15 l with QCC without fine thread for SATAjet 5000 series, jet 4000 B, jet 3000 B, jet 2000, jet 1000 B, jet 100 B, jet RP, minijet 4400 B	<b>56,60 (3)</b>	
125948	0.15 l QCC reusable aluminium cup, cpl. for SATAminijet (except minijet 4400) and jet 20 B	<b>56,60 (3)</b>	
137729	Reusable aluminium cup, 0.75 l with QCC without fine thread for SATAjet 5000 series, jet 4000 B, jet 3000 B, jet 2000, jet 1000 B, jet 100 B	<b>65,80 (3)</b>	
1013432	Reusable aluminium cup, 0.75 l with QCC and fine thread for jet 2000, jet 90, jet RP, LM 2000, KLC	<b>65,80 (3)</b>	
6601	Reusable aluminium cup 0,75 l with fine thread, cpl. for SATAjet B, jet GR, jet NR 95	<b>65,80 (3)</b>	
96685	Reusable aluminium cup, 1.0 l with QCC without fine thread for SATAjet 5000 series, jet 4000 B, jet 3000 B, jet 2000, jet 1000 B, jet 100 B	<b>65,80 (3)</b>	
1013440	Reusable aluminium cup, 1.0 l with QCC and fine thread for jet 2000, jet 90, jet RP, LM 2000, KLC	<b>65,80 (3)</b>	
46631	1.0 l reusable aluminium cup, with fine thread complete for SATAjet B, jet GR, jet NR 95	<b>65,80 (3)</b>	
71555	Plastic lid (packing unit 3 pieces) for 0.75 l and 1.0 l reusable aluminium cup	<b>22,50 (3)</b>	

# RPS / LCS adapter for spray guns

RPS / LCS adapter for spray guns

Manufacturer:






		SATA		IWATA		Walcom		Devilbiss		Eminent		Aigunsa		Asturo		Graco		Sagola		Dux		Dürr		Sharpe		Walther Pilot		Kremlin		EURO	
		SATAjet B, jet GR, jet NR 95	SATAjet 2000, jet RP, LM 2000 B, jet 90, KLC	SATA LM B 92	SATAmirijet 3000 B, minijet 1 - 4, jet 20 B, IW400, WR 400, LPA 94, VL Primer Gun, LPH 400	IW 300, LPH 300, LS 400, WS 400, WS-PRIMER, LPH 80	Genesis Carbon	FX GEO, FX HVP, Ego Mini, Slim Kombi	PR1, GTI, GFP, GFV, GFHV 510, DV 1	Starting Line HWP Spray Gun	Starting Line Mini Spray Gun	SRI	E13 Eminent	AZ40 HTE	OM Green	3M PPS	403 G, 433 G, 434 G, 444 G, 450 G, 4100 G	475 Mini-Gun	4400 G Extreme, 4500 G Extreme, 3300	Gravity flow cup spray gun	Ecogun 910	Finex FX 300	Platinum, Titanium	III F	M 21 G						
	125211 RPS adapter No. 1 with QCC and connection M 16 x 1.5 (female thread)	X			X																									44,50 (3)	
	125237 RPS adapter No. 2 with QCC, connection M 16 x 1.5 (male thread) for SATAjet NR2000, SATAjet RP without QCC / SATA LM 2000 B, SATA KLC, SATAjet 90		X				X																							44,50 (3)	
	125252 RPS adapter No. 3 with QCC and connection 3/8" (male thread)							X																						44,50 (3)	
	125278 RPS adapter No. 4 with QCC and connection 1/4" (male thread)				X							X	X																	44,50 (3)	
	125294 RPS adapter No. 5 with QCC and connection M 12 x 1 (male thread)						X							X																44,50 (3)	
	126326 RPS adapter No. 6 with QCC and connection 3/8" (male thread)														X															44,50 (3)	
	133595 RPS adapter No. 7 with QCC and connection M 12 x 1.5 (male thread)		X													X			X											44,50 (3)	
	133827 RPS adapter No. 8 with QCC and connection G 3/8"-18 (female thread)																				X	X								44,50 (3)	
	135111 Spray gun adapter No. 9 with QCC and connection thread G 3/8" male thread -18 NPSF																						X							44,50 (3)	
	135798 RPS adapter No. 10 with QCC and connection M 10 x 1 (male thread)			X													X													44,50 (3)	
	150136 RPS adapter No. 13 with QCC and connection M 16 x 1.5 (male thread)								X																					44,50 (3)	

SPRAY GUNS  
 CUP SYSTEMS  
 BREATHING PROTECTION  
 FILTER TECHNOLOGY  
 ADDITIONAL PRODUCTS  
 MERCHANDISING ITEMS



**RPS / LCS adapter for spray guns**

**Manufacturer:**

Product Description	SATA										IWATA			Walcom		De/Vibiss			Eminent	Airgunsa	Asturo	Graco	Sagola		Dux	Duirr	Starpe	Walther Pilot	Krenlin	EURO
	SATAjet B, jet GR, jet NR 95	SATAjet 2000, jet RP, LM 2000 B, jet 90, KLC	SATA LM B 92	SATAmijet 3000 B, minijet 1 - 4, jet 20 B	W400, WR 400, LPA 94, VXL Primer Gun, LPH 400	W 300, LPH 300, LS 400, WS 400, WS-PRIMER	LPH 80	Genesis Carbon	FX GEO, FX HVLP, Ego Mini, Slim, Kombi	PRI, GTI, GFP, GFV, GFHV 510, DV 1	Starting Line HVLP Spray Gun	Starting Line Mini Spray Gun	SRI	E13 Eminent	AZ40 HTE	OM Green	3M PPS	403 G, 433 G, 434 G, 444 G, 450 G, 4 100 G	475 Mini-Gun	4400 G Extreme, 4500 G Extreme, 3300	Gravity flow cup spray gun	Ecogun 910	Finex FX 300	Platinum, Titanium	III F	M 21 G				
 150151 RPS adapter No. 14 with QCC and connection M 11 x 1 (male thread)											X																		<b>44,50 (3)</b>	
 164608 RPS adapter No. 15 with QCC and connection thread 7/16\" - 14 UNC													X																<b>44,50 (3)</b>	
 188664 RPS adapter No. 18 with QCC and connection M 18 x 1.5 (female thread)																			X										<b>44,50 (3)</b>	
 193276 RPS-Adapter No. 19 with QCC and connection 1/8\" (male thread)							X																						<b>44,50 (3)</b>	
 215079 RPS adapter No. 20 with QCC and connection 1/4\" (male thread)																										X	X		<b>44,50 (3)</b>	

All prices are recommended list prices. Errors, technical modifications and printing errors reserved.

SPRAY GUNS

CUP SYSTEMS

BREATHING PROTECTION

FILTER TECHNOLOGY

ADDITIONAL PRODUCTS

MERCHANDISING ITEMS

# SATA agitator cup

<b>Technical Data</b>	<b>SATA agitator cup</b>
Cup capacity	0,7 l
Max. operating pressure	10,0 bar
Material	Aluminium



## SATA agitator cup

29926  
 SATA agitator cup, conversion kit for SATAjet 5000 series, jet 4000 B, jet 3000 B, jet 2000, jet 1000 B, jet 100 B, jet RP

EURO  
**642,00 (5)**



9951  
 SATA agitator-cup for SATAjet B and GR/B-92 (supplementary equipment)

**650,30 (5)**



SPRAY GUNS

CUP SYSTEMS

BREATHING PROTECTION

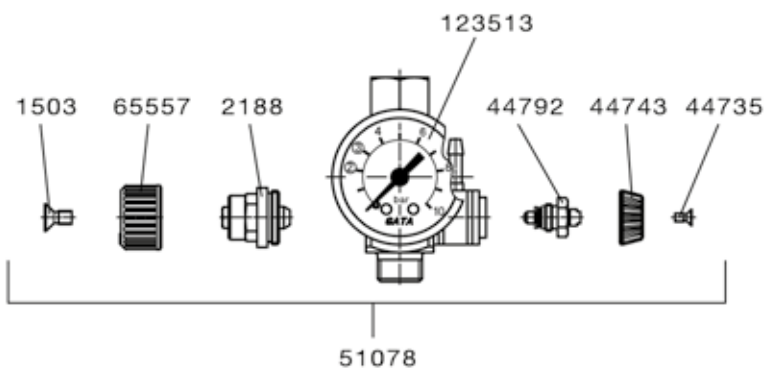
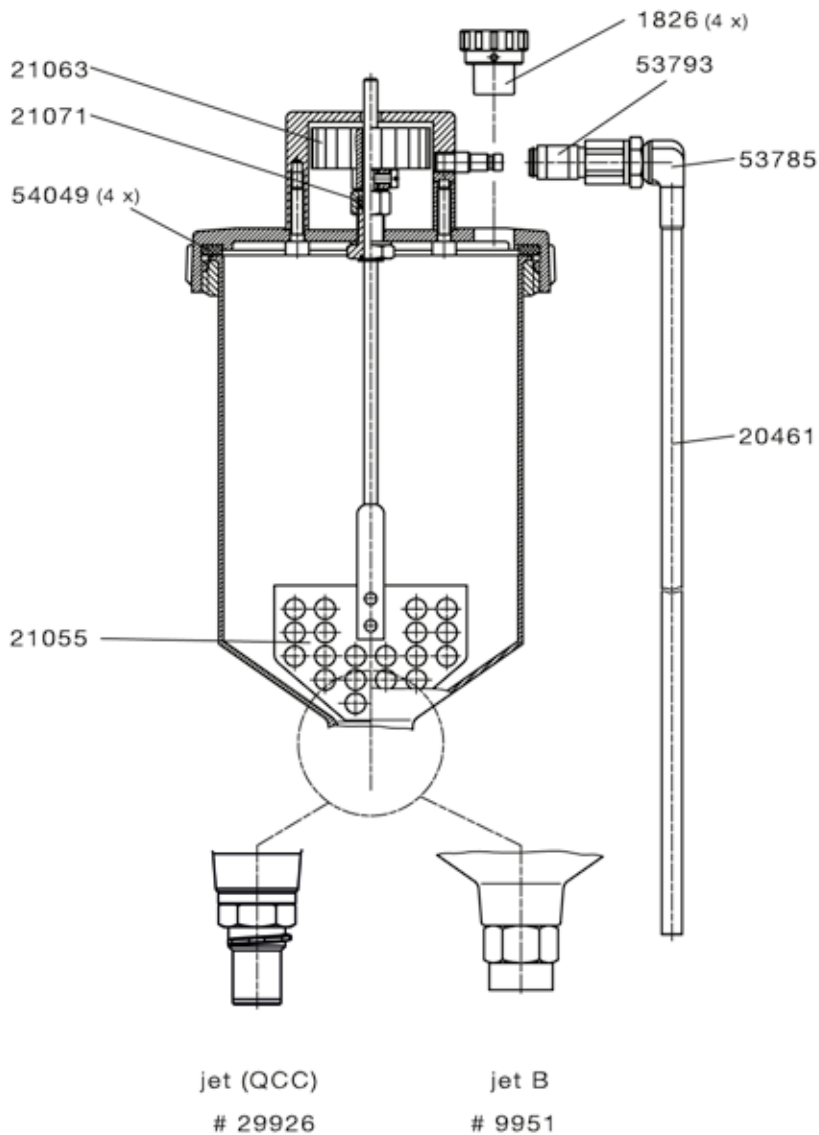
FILTER TECHNOLOGY

ADDITIONAL PRODUCTS

MERCHANDISING ITEMS

**Spare parts**

SATA agitator cup	EURO
123513	39,00 (3)
Pressure gauge 0-10 bar, 40 mm for regulation valve coloured stereotype plate	
1503	2,80 (3)
Countersunk screw M4 x 8 DIN 965, stainless steel, for micrometer und round/flat spray control	
1826	21,20 (3)
Anti-drip device (packing unit 4 pieces)	
20461	10,40 (3)
Plastic air hose for BVD and agitator cup	
21055	66,10 (4)
Agitating vane, cpl.	
21063	69,60 (4)
Driving wing, cpl. with screw	
21071	10,20 (4)
Gasket agitating vane, agitator cup	
2188	36,10 (3)
Spindle	
44735	2,80 (3)
Countersunk screw M 2.5 x 5, VA	
44743	12,40 (3)
Control knob	
44792	41,80 (3)
Spindle complete for SATAMinijet	
51078	214,50 (4)
Regulation valve compl. for cup agitator	
53785	8,20 (4)
Angle screw socket, LCN-1/8-PL-4, f. SATA NAD and BVD	
53793	24,80 (4)
Coupling with G 1/8" (female thread)	
54049	13,40 (3)
Sealing ring (packing unit 4 pieces)	
65557	21,70 (3)
Control knob	



All prices are recommended list prices. Errors, technical modifications and printing errors reserved.

SPRAY GUNS

CUP SYSTEMS

BREATHING PROTECTION

FILTER TECHNOLOGY

ADDITIONAL PRODUCTS

MERCHANDISING ITEMS

# SATA BVD

<b>Technical Data</b>	<b>SATA BVD</b>
Cup capacity	0,7 l
Max. operating pressure	1,7 bar
Material	Aluminium



## SATA BVD extension-set

25775  
SATA BVD conversion kit with QCC without fine thread

EURO

**360,70 (5)**



57505  
SATA BVD extension kit for SATAjet B and GR/B-92

**353,20 (5)**



SPRAY GUNS

CUP SYSTEMS

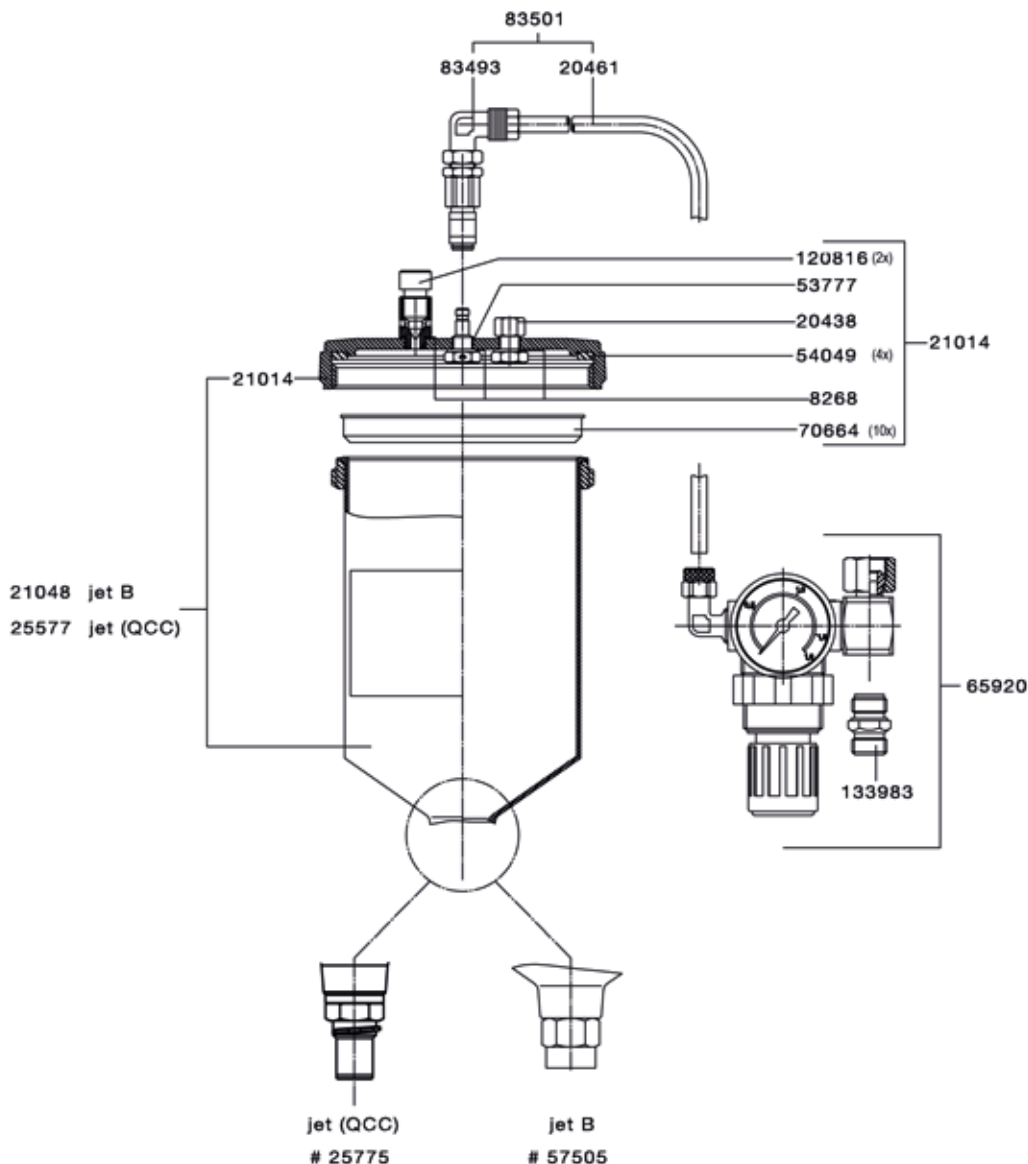
BREATHING PROTECTION

FILTER TECHNOLOGY

ADDITIONAL PRODUCTS

MERCHANDISING ITEMS

Spare parts	
SATA BVD	EURO
120816	46,90 (4)
Pressure release screw (packing unit 2 pieces)	
133983	13,40 (3)
Air connection piece 1/4" male thread	
20438	27,90 (3)
Safety pressure relief valve BVD	
20461	10,40 (3)
Plastic air hose for BVD and agitator cup	
21014	110,80 (3)
Aluminium lid, cpl.	
21048	209,40 (3)
Pressurised cup with lid	
25577	209,40 (3)
Pressurised cup with lid	
53777	9,10 (3)
Air connection for aluminium lid	
54049	13,40 (3)
Sealing ring (packing unit 4 pieces)	
65920	194,40 (4)
Control fittings, complete, for BVD pressurized cup connection kit (GR and LM)	
70664	18,60 (3)
Anti-drip device (packing unit 10 pieces)	
8268	2,10 (4)
Sealing ring	
83493	57,50 (3)
Connection for pressurised cup, cpl.	
83501	66,30 (3)
Air hose cpl. w. pressurized cup connection, for SATA Spray-Master	



Repair kit	EURO
73254	44,90 (4)
Repair kit for control fitting	







# Breathing Protection



Breathing Protection	Product description	Product advantages
 <p><b>SATA air vision 5000</b> 114</p>	<p>The SATA air vision 5000 offers a completely redesigned way of supplied air respiratory protection. The respiratory hood not only ensures high breathing air quality but also a low noise level. The modern, ergonomic design fits with almost any head shape and can be individually adjusted in size, height and position.</p>	<ul style="list-style-type: none"> <li>• Absolute safety through external supply of clean air to the spray booth – up to 100 times TRC value and suitable for continuous use</li> <li>• No inhalation resistance, very comfortable breathing</li> <li>• Ergonomic design with individual adjustment options and one-hand operation of the visor</li> <li>• Little operating costs, quick pay-off of purchase costs</li> <li>• Soft-stream flow-optimised air distribution in the hood</li> <li>• Reduced sound level: 64 dB (like a conversation in 1m distance)</li> <li>• The SATA CCS Discs (Color Code System) allow to personalise hood, SATA air regulator and SATA air carbon regulator</li> <li>• Single solvent resistant tear off visors over an aperture in the front of the mask, ensuring 100% visibility and reduction in light reflections.</li> </ul>
 <p><b>SATA vision 2000</b> 118</p>	<p>This full hood is specifically designed to meet the requirements of painters and protects the respiratory system, eyes, skin and hair. In addition, it offers a high wearing comfort and optimum hygiene. The hood with hygienic hood insert, replaceable sweatband and acoustic warning device is available as a set. This includes a belt unit – optionally with activated carbon adsorber and air flow regulation and display or a T-piece with an air flow regulation.</p>	<ul style="list-style-type: none"> <li>• High breathing air quality due to air supply independent of ambient air, no inhalation resistance, high breathing comfort</li> <li>• High protection level, suitable for long application intervals</li> <li>• Protects up to 100 times the TRC-value</li> <li>• Visor allows one-hand operation</li> <li>• Single solvent resistant tear off visors over an aperture in the front of the mask, ensuring 100% visibility and reduction in light reflections.</li> <li>• Little operating costs, quick pay-off of purchase costs</li> </ul>
 <p><b>SATA air star C</b> 120</p>	<p>The SATA air star C half mask offers maximum visibility and better breathing protection than half masks with filter cartridges. The activated carbon filter, either as a static unit on the wall or portable on the belt unit, provides clean breathing air. The optimally filtered air is supplied to the user directly into the mask, in a steady stream without any inhalation resistance.</p>	<ul style="list-style-type: none"> <li>• Ambient air independent supply of pure breathing air (protects up to 100 times the TRC value)* also outside the spray booth</li> <li>• No inhalation resistance, very comfortable breathing</li> <li>• Free vision (protective goggles required)</li> <li>• No accumulation of heat and humidity inside the mask</li> <li>• Excellent fit for any type of facial contours</li> <li>• Very light and comfortable</li> <li>• 4 pointed straps for easy handling and safe fit</li> </ul>
 <p><b>air star F 2.0</b> 124</p>	<p>The latest generation of the filter half-mask from SATA weighs approx. 325 grams and is significantly lighter than its predecessor. With its anatomically shaped mask body and further improved wearing comfort, it makes wearing a mask more comfortable: Respiratory protection for minor painting or preparatory work outside the booth. The filters of the air star F 2.0 are slightly flatter, and they also sit lower and further back than on previous models. This results in a larger field of vision. The practical click system makes it easy to change the filter.</p>	<ul style="list-style-type: none"> <li>• Low weight</li> <li>• Enlarged field of vision</li> <li>• Improved wearing comfort</li> <li>• Practical head band: adjust once - and only once</li> <li>• New look in elegant black with red accents</li> </ul>

# Breathing Protection without Activated Charcoal Belt Unit




Recommended accessories	
1007005 SATA air warmer	
1006982 SATA air cooler	
49080 Safety compressed air hose crush and kink resistant, 6 m	
13870 Gun air hose 9 mm inner diameter, 1.2 m to connect a spray gun to the belt unit	



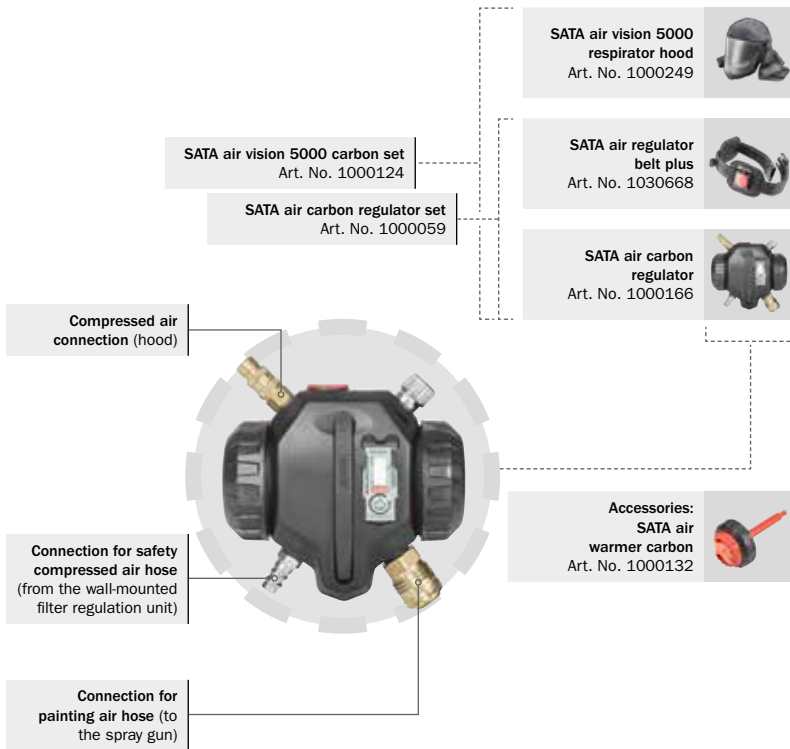
Compressed air-supplied respirator hood to combine with triple-stage compressed air filters, e.g. SATA filter 584 with integrated activated charcoal filter stage.

---








Please order the gun **air hose #13870** for the best connection between air regulator and spray gun.

# Breathing Protection with Activated Charcoal Belt Unit



## Recommended accessories

1000132 SATA air warmer carbon for SATA air carbon regulator Multi-stage adjustable breathing air warmer	
1006982 SATA air cooler	
49080 Safety compressed air hose crush and kink resistant, 6 m	
13870 Gun air hose 9 mm inner diameter, 1.2 m to connect a spray gun to the belt unit	
1115189 Activated charcoal filter for SATA air carbon regulator	



Compressed air-supplied respirator hood to combine with double-stage compressed air filters fixed to the wall, e.g. SATA filter 544 **without** integrated activated charcoal filter stage.

---









Please order the gun **air hose #13870** for the best connection between air regulator and spray gun.









# SATA air vision 5000

<b>Technical Data</b>	<b>SATA air vision 5000</b>
Min. required air flow volume	150 NI/min
Max. operating pressure	10,0 bar
Noise level	64 dB



## Available versions

	EURO	
1000124 SATA air vision 5000 n carbon set Version with activated carbon adsorber	<b>798,00 (2)</b>	
213819 SATA air vision 5000 n set Version without activated carbon adsorber	<b>624,00 (2)</b>	
1000249 SATA air vision 5000 n hood	<b>375,00 (4)</b>	
1000059 SATA air carbon regulator set for SATA air vision 5000 / n	<b>509,30 (4)</b>	
1000108 SATA air regulator set for SATA air vision 5000	<b>286,80 (4)</b>	
1000166 SATA air carbon regulator for SATA air vision 5000 / n	<b>410,20 (4)</b>	

Available versions	EURO	
1000190 SATA air regulator for SATA air vision 5000 / n	<b>190,20 (4)</b>	
1030668 SATA air regulator belt plus for SATA air vision 5000 / n	<b>109,30 (4)</b>	
1000215 SATA air regulator belt for SATA air vision 5000 / n	<b>101,70 (4)</b>	
1006982 SATA air cooler incl. adapter plate and hip pad for SATA air vision 5000 / n	<b>245,10 (2)</b>	
1007005 SATA air warmer, incl. adapter plate and hip pad for SATA air vision 5000 / n	<b>245,10 (2)</b>	
1000132 SATA air warmer carbon for SATA air carbon regulator	<b>165,20 (2)</b>	
<b>Accessories</b>		
1115189 Activated charcoal filter #218206, incl. 2 filter caps for SATA air carbon regulator	<b>127,40 (4)</b>	
49080 SATA Safety compressed air supply hose Ø 10 mm, 6 m long, for SATA breathing protection systems	<b>354,60 (4)</b>	
176792 SATA safety compressed air supply hose Ø 10mm, 10 m long for SATA breathing protection systems	<b>487,70 (4)</b>	
180851 SATA safety compressed air supply hose Ø 10mm, 40 m long for SATA breathing protection systems	<b>1.372,00 (4)</b>	
13870 SATA air hose, blue, 9mm, 1.2 m with quick coupling, red and nipple	<b>56,70 (4)</b>	



Spare parts

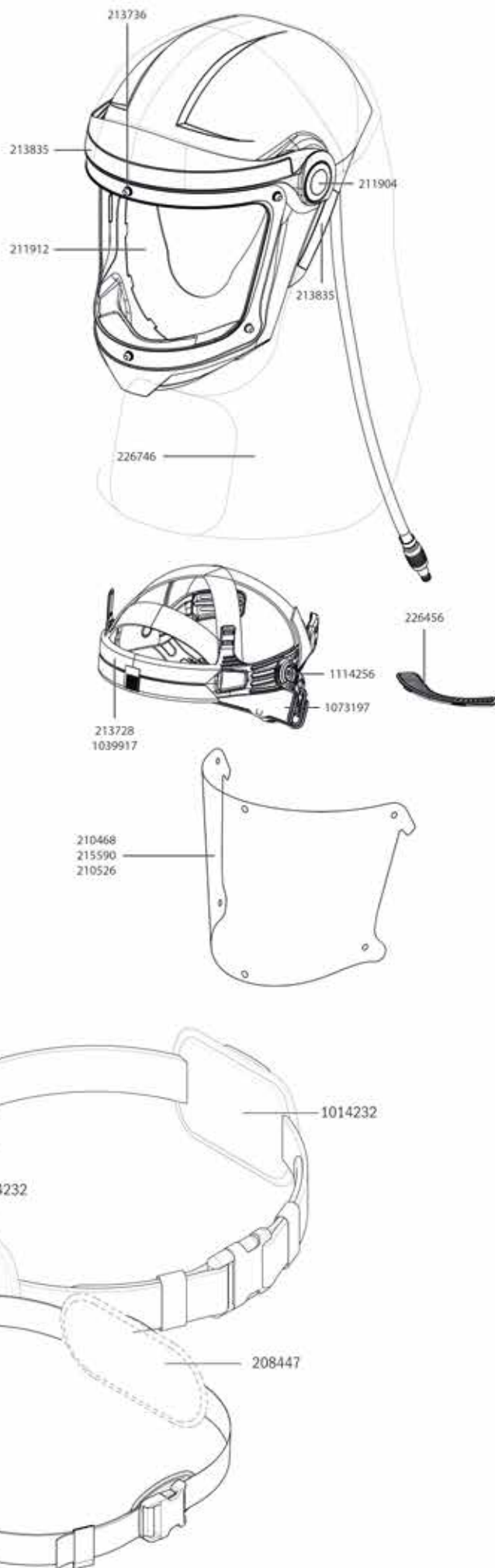
SATA air vision

5000

EURO

1014232	<b>10,80 (4)</b>
Hip pad (packing unit 1 piece)	
1014240	<b>55,00 (4)</b>
Air hose cpl.	
1018143	<b>18,00 (4)</b>
Filter fastener	
1036947	<b>14,60 (4)</b>
Adapter plate	
1039917	<b>311,20 (4)</b>
Comfort head band (packing unit 100 pieces)	
1066415	<b>21,60 (4)</b>
Control knob, cpl.	
1073197	<b>23,90 (4)</b>
Pad for head band (adjustment wheel) (packing unit 2 pieces)	
1076521	<b>4,30 (4)</b>
Cylinder screw	
1076589	<b>82,60 (4)</b>
Air hose cpl. (for SATA air humidifier)	
1076612	<b>44,30 (4)</b>
Container	
1076620	<b>46,60 (4)</b>
Lid	
1076638	<b>7,80 (4)</b>
Safety band for bayonet lock	
1076662	<b>54,90 (4)</b>
Pressure relief valve, cpl.	
1076688	<b>17,90 (4)</b>
Threaded elbow joint, swiveling	
1076703	<b>33,30 (4)</b>
Safety and quick coupling with free passage	
1114256	<b>59,30 (4)</b>
Head fixation 2.0	
1115189	<b>127,40 (4)</b>
Activated charcoal filter #218206, incl. 2 filter caps	
1128918	<b>24,80 (4)</b>
O ring 52 x 2 mm, black, pack of 2	
13623	<b>22,40 (1)</b>
SATA quick coupling 1/4" (male thread)	
206151	<b>4,10 (3)</b>
SATA filter timer for sinter filter	
208439	<b>52,80 (4)</b>
Belt with buckle	
208447	<b>7,10 (4)</b>
Hip pad (packing unit 1 piece)	
208462	<b>13,50 (4)</b>
Adapter plate	
210468	<b>74,70 (4)</b>
Visor foil, 6 perforations (packing unit 20 pieces)	
210526	<b>1.304,30 (4)</b>
Visor foil, 6 perforations (packing unit 1000 pieces)	
211904	<b>3,90 (4)</b>
CCS disc (packing unit 4 pieces)	
211912	<b>39,10 (4)</b>
Hygiene insert (packing unit 20 pieces)	
213728	<b>33,90 (4)</b>
Comfort band (packing unit 10 pieces)	
213736	<b>12,60 (4)</b>
Visor bolt (packing unit 6 pieces)	
213751	<b>5,30 (4)</b>
Hood holder for SATA air regulator	
213835	<b>3,30 (4)</b>
Hook-and-loop tape long (packing unit 1 piece) and short (packing unit 2 pieces), adhesive on one side	
215590	<b>332,20 (4)</b>
Visor foil, 6 perforations (packing unit 100 pieces)	
216473	<b>40,00 (4)</b>
Safety quick coupling for SATA air regulator and SATA air carbon regulator	
226456	<b>11,70 (4)</b>
Plug-in diffuser	
226621	<b>250,10 (4)</b>
Humidifier kit consisting of humidifier module, lid seal and SATA filter timer	
226746	<b>80,70 (4)</b>
Hood cloth, dark grey	
53942	<b>9,00 (1)</b>
Nipple G 1/4 f. GS respirator, UBE + blow-off gun, size 14	

81158 **256,10 (4)**  
Humidifier module cpl.



SPRAY GUNS

CUP SYSTEMS

BREATHING PROTECTION

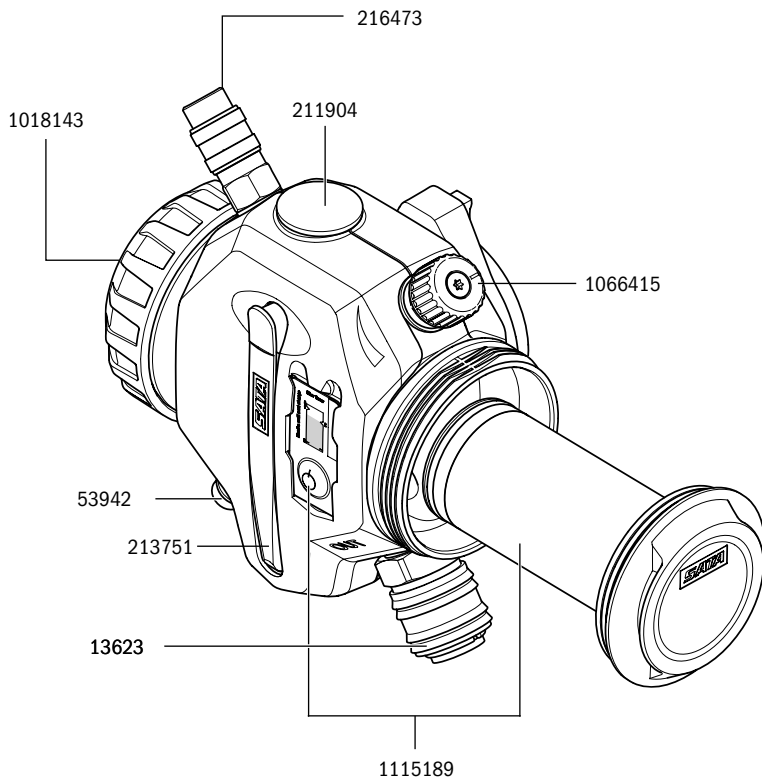
FILTER TECHNOLOGY

ADDITIONAL PRODUCTS

MERCHANDISING ITEMS

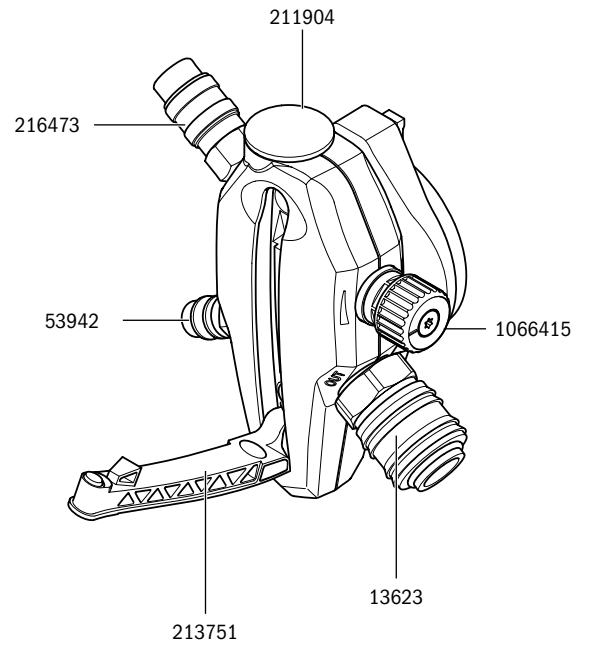
Spare parts for:

**SATA air carbon regulator Art. Nr. 1000166**



Spare parts for:

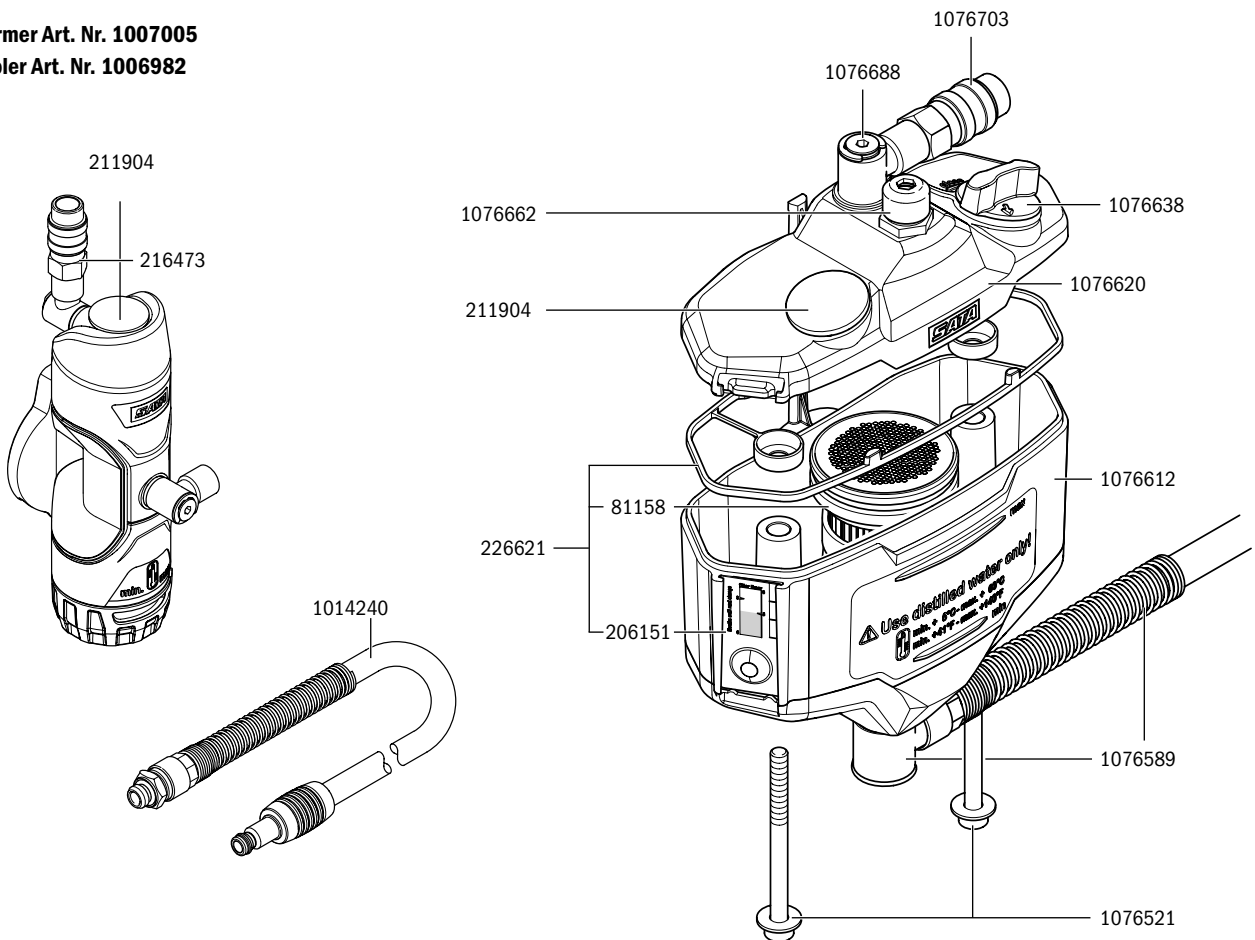
**SATA air regulator Art. Nr. 1000190**



Spare parts for:

**SATA air warmer Art. Nr. 1007005**






**SATA air cooler Art. Nr. 1006982**



# SATA vision 2000

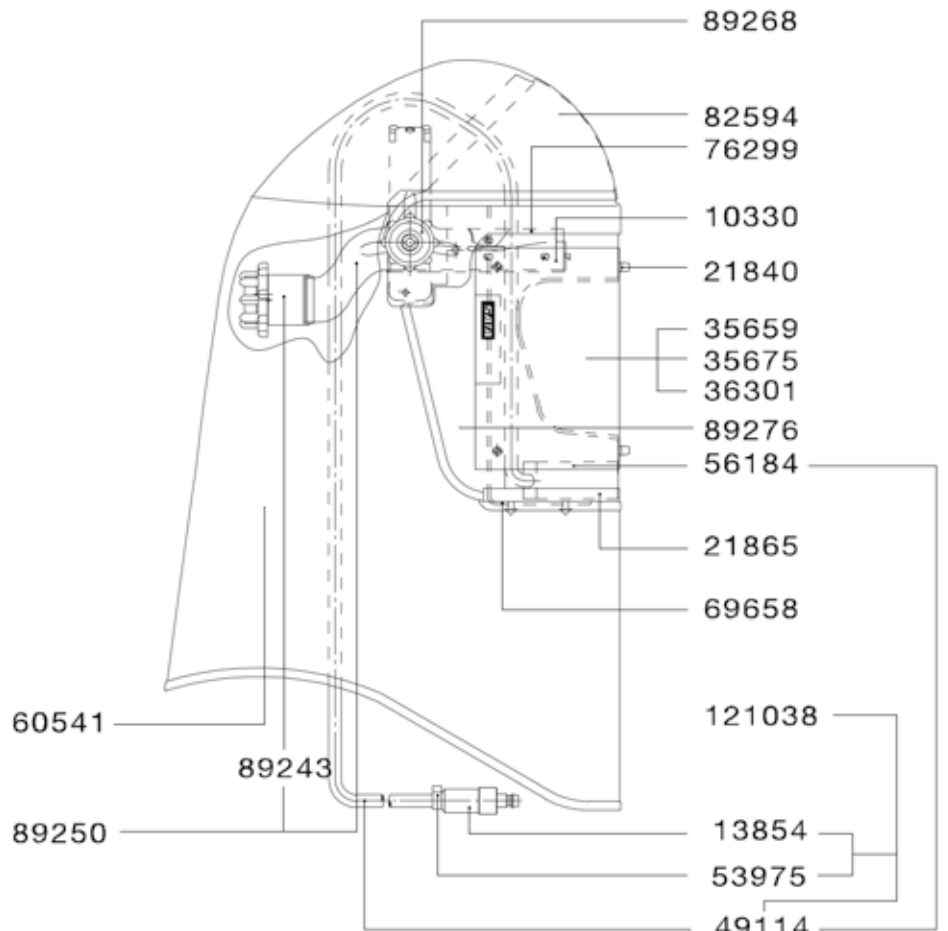
<b>Technical Data</b>	<b>SATA vision 2000</b>
Min. required air flow volume	170 NI/min
Max. operating pressure	8,0 bar
Noise level	73 dB



Available versions	EURO	
173880 SATA respirator kit in systainer: SATA vision 2000 n and belt unit with activated charcoal adsorber and air regulation valve, SATA air warmer, SATA air hose 1.2 m	<b>1.060,00 (2)</b>	
69500 SATA respirator kit vision 2000 n, with activated charcoal adsorber	<b>601,00 (2)</b>	
154591 SATA breathing protection kit: SATA vision 2000 n and belt unit with T-piece and air control valve, version without activated carbon belt unit	<b>469,00 (2)</b>	
52712 Hood for full face respirator vision 2000 n, with head/chest cloth over hood, without belt unit	<b>283,00 (4)</b>	
54015 Belt unit with activated charcoal adsorber and air regulation valve for SATA vision 2000 and respirator hood CE industry with UV protection	<b>438,10 (4)</b>	
122341 Belt unit with T-piece and air regulation valve for SATA vision 2000 / n, respirator hood CE industry with UV protection, air star C	<b>217,70 (4)</b>	
58941 Belt unit with air regulation valve for SATA vision 2000 / n, respirator hood CE industry with UV protection, air star C	<b>192,60 (4)</b>	

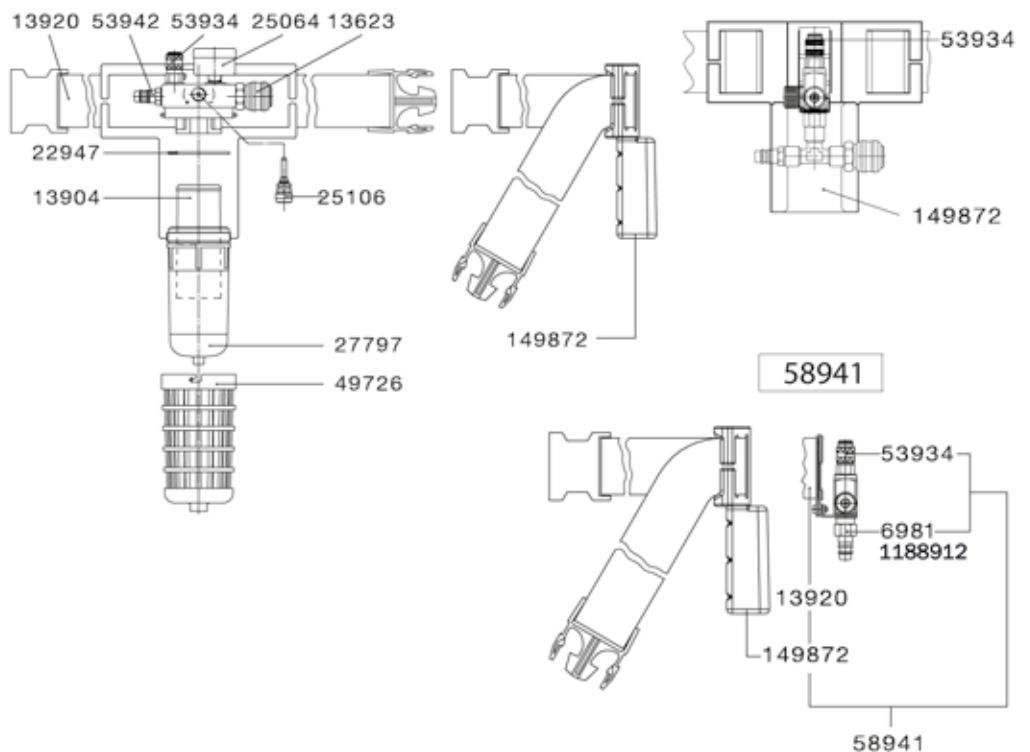
**Spare parts**

SATA vision 2000	EURO
10330	28,50 (4)
Sweat ribbon, microfibre-velour (packing unit 10 pieces)	
1188912	19,00 (1)
SATA quick coupling nipple G 1/4" (female thread)	
121038	78,10 (4)
Breathing air hose, cpl. with acoustic warning device, foam sleeve and noise reducer/coupling	
13623	22,40 (1)
SATA quick coupling 1/4" (male thread)	
13854	28,90 (4)
Silencer	
13904	50,90 (4)
Activated charcoal cartridge for SATA activated charcoal adsorber	
13920	45,10 (4)
Belt with buckle	
149872	39,10 (4)
Belt cushion	
21840	10,70 (4)
Set of plug-in nipples, complete, for Vision 2000 / n	
21865	17,70 (4)
Bottom part (packing unit 2 pieces)	
22947	3,50 (4)
O-ring	
25064	34,50 (4)
Pressure gauge 0 - 6 bar, 40 mm, green area 1.3 - 2.6 bar	
25106	30,20 (4)
Spindle, complete, for adsorber (CE) of half mask + full face respirator	
27797	39,30 (4)
Adsorber glass	
35659	21,20 (4)
Visor foil, 6 perforations (packing unit 5 pieces)	
35675	75,50 (4)
Visor foil, 6 perforations (packing unit 25 pieces)	
36301	1.116,70 (4)
Visor foil, 6 perforations (packing unit 1000 pieces)	
49114	49,60 (4)
Breathing air hose with acoustic warning device and foam sleeve, without noise reducer/coupling	
49726	27,10 (4)
Protective cage f. respirator filter unit	
53934	33,90 (4)
Safety quick coupling for SATA full face respirator	
53942	9,00 (1)
Nipple G 1/4 f. GS respirator, UBE + blow-off gun, size 14	
53975	2,20 (4)
Hose clamp 10.5 GER	
56184	6,20 (4)
Foam sleeve for CE respirator	
60541	90,50 (4)
Head / chest scarf, grey, over hood	
69658	34,50 (4)
Hood inlay, black (20 pieces)	
6981	44,70 (1)
SATA quick coupling nipple G 1/4" (female thread) (packing unit 5 pieces)	
76299	2,40 (4)
Foam stripes, one side self-adhesive 8 x 25 x 345 mm, for respirators	
82594	39,70 (4)
Hood with velcro tape, loose, for Vision 2000 / n respirator	
89243	18,70 (4)
Adjustable part for head strap of Vision 2000 / n respirator	
89250	63,10 (4)
Head strap, cpl., for Vision 2000 / n respirator	
89268	17,70 (4)
Screwing (2 pieces)	
89276	71,50 (4)
Carrier frame with side parts, plug-in nipples and bottom part, for Vision 2000 / n respirator	



54015

122341



58941

58941

All prices are recommended list prices. Errors, technical modifications and printing errors reserved.

SPRAY GUNS

CUP SYSTEMS

BREATHING PROTECTION

FILTER TECHNOLOGY







ADDITIONAL PRODUCTS

MERCHANDISING ITEMS

# SATA air star C

<b>Technical Data</b>	<b>SATA air star C</b>
Min. required air flow volume	150 NI/min
Max. operating pressure	4,0 bar
Noise level	70 dB



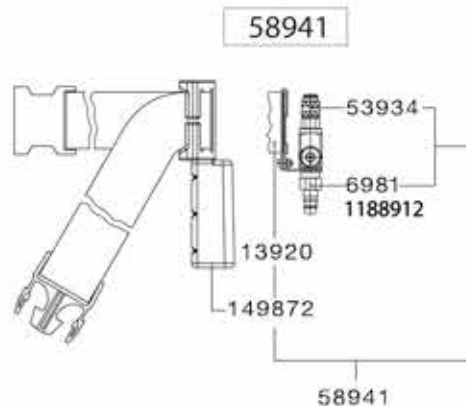
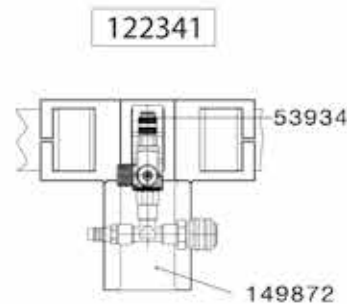
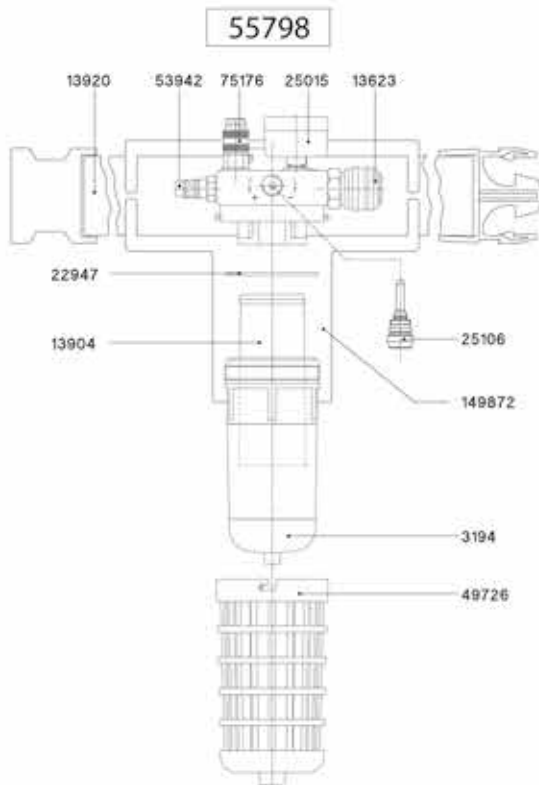
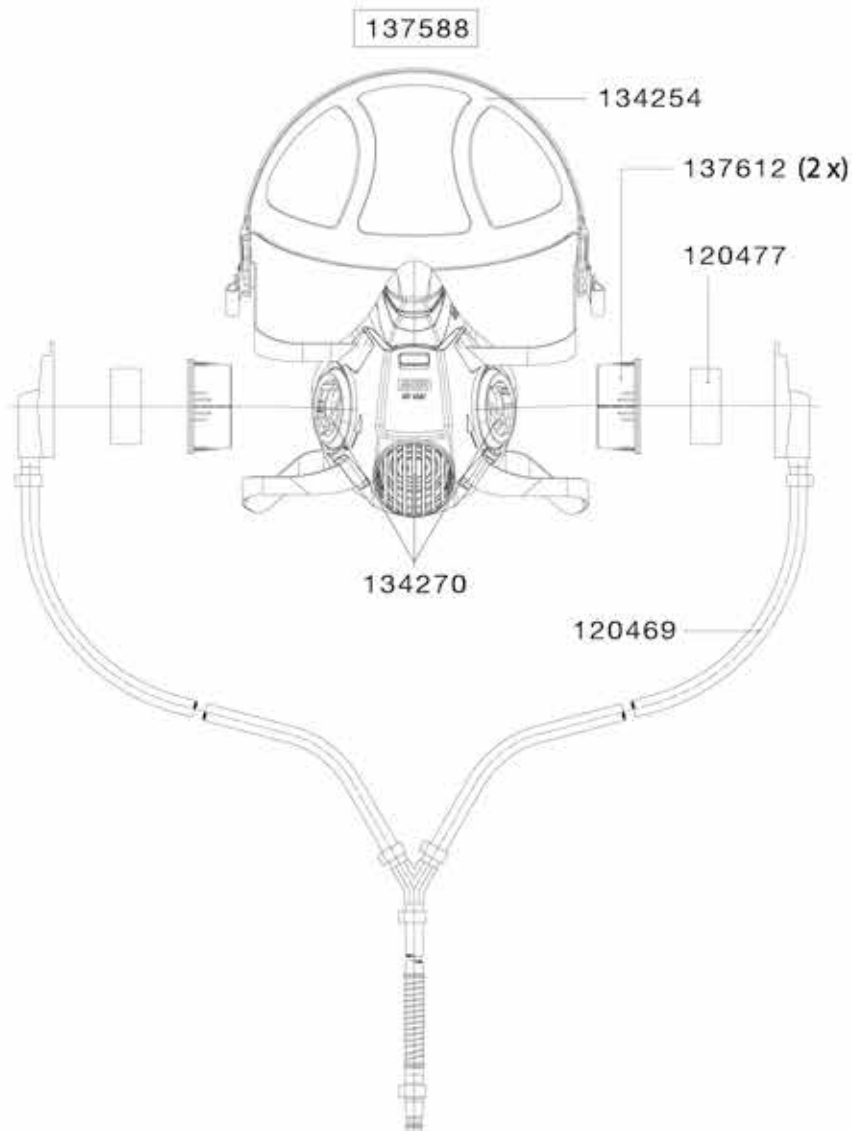
Available versions	EURO	
137554 SATA respirator kit: SATA air star C and belt unit with activated charcoal filter and air regulation valve	<b>527,00 (2)</b>	
137570 SATA breathing protection kit: SATA air star C and belt unit with T-piece and air control valve, version without activated carbon belt unit	<b>398,00 (2)</b>	
137588 SATA air star C half mask with breathing hose, without filter	<b>152,00 (4)</b>	
55798 Belt unit with activated charcoal adsorber and air regulation valve for SATA air star C	<b>436,70 (4)</b>	
122341 Belt unit with T-piece and air regulation valve for SATA vision 2000 / n, respirator hood CE industry with UV protection, air star C	<b>217,70 (4)</b>	
58941 Belt unit with air regulation valve for SATA vision 2000 / n, respirator hood CE industry with UV protection, air star C	<b>192,60 (4)</b>	

**Spare parts**

**SATA air star C**

EURO

1188912	19,00 (1)
SATA quick coupling nipple G 1/4" (female thread)	
120469	64,80 (4)
Breathing air hose, cpl.	
120477	6,20 (4)
Air distributor (packing unit 2 pieces)	
134254	36,40 (4)
Head strap with fixing unit and yoke for SATA air star C	
134270	61,10 (4)
Inhalation and exhalation diaphragms (packing unit 5 pieces or 10 pieces, resp.)	
13623	22,40 (1)
SATA quick coupling 1/4" (male thread)	
137612	9,10 (4)
Connection (packing unit 2 pieces)	
13904	50,90 (4)
Activated charcoal cartridge for SATA activated charcoal adsorber	
13920	45,10 (4)
Belt with buckle	
149872	39,10 (4)
Belt cushion	
22947	3,50 (4)
O-ring	
25015	34,50 (4)
Pressure gauge 0 - 6 bar, 40 mm, green area 1 - 3 bar	
25106	30,20 (4)
Spindle, complete, for adsorber (CE) of half mask + full face respirator	
3194	37,80 (4)
Adsorber glass	
49726	27,10 (4)
Protective cage f. respirator filter unit	
53934	33,90 (4)
Safety quick coupling for SATA full face respirator	
53942	9,00 (1)
Nipple G 1/4 f. GS respirator, UBE + blow-off gun, size 14	
6981	44,70 (1)
SATA quick coupling nipple G 1/4" (female thread) (packing unit 5 pieces)	
75176	34,40 (4)
Safety quick closure coupling NW 5, type 21, for adsorber of half mask respirator, version GS	



All prices are recommended list prices. Errors, technical modifications and printing errors reserved.

SPRAY GUNS

CUP SYSTEMS

BREATHING PROTECTION








FILTER TECHNOLOGY

ADDITIONAL PRODUCTS

MERCHANDISING ITEMS



## Accessories for SATA vision 2000/SATA air star C

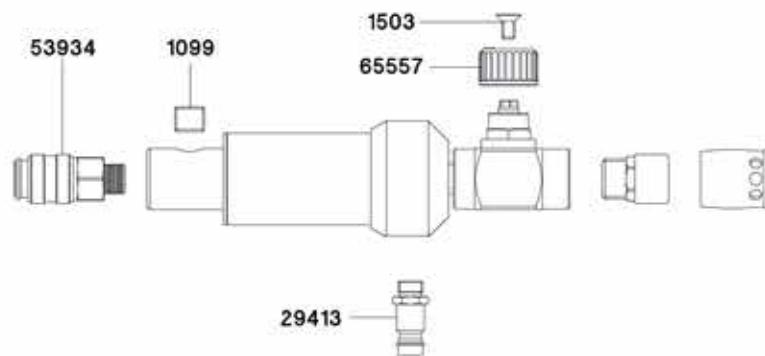
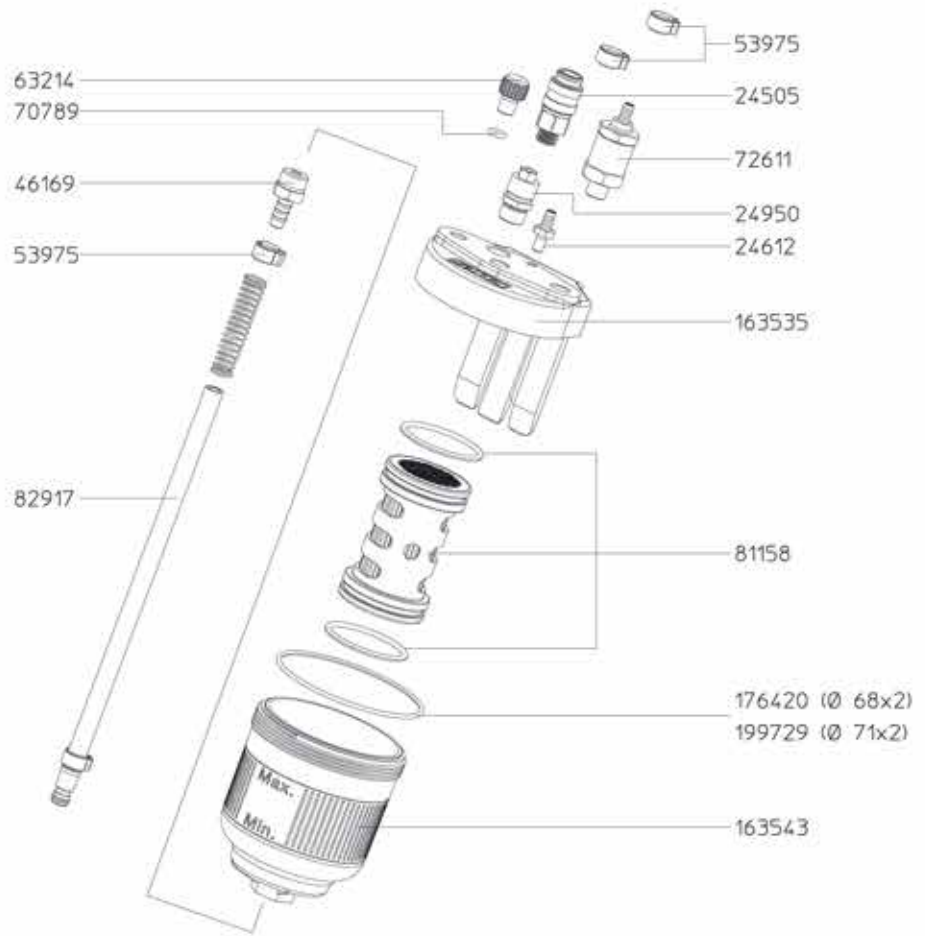
SATA air warmer / air cooler for SATA vision 2000		EURO
61242	SATA air warmer 2000	<b>234,30 (2)</b>
		
1143916	SATA air cooler 2000	<b>234,30 (2)</b>
		
Accessories and air hoses		EURO
13904	Activated charcoal cartridge for SATA activated charcoal adsorber for SATA vision 2000 / n and SATA air star C	<b>50,90 (4)</b>
		
15412	Suspender belt for SATA belt units SATA air star C and SATA air vision 5000 / n / vision 2000 / n	<b>71,80 (4)</b>
		
13870	SATA air hose, blue, 9mm, 1.2 m with quick coupling, red and nipple	<b>56,70 (4)</b>
		
49080	SATA Safety compressed air supply hose Ø 10 mm, 6 m long, for SATA breathing protection systems	<b>354,60 (4)</b>
		
176792	SATA safety compressed air supply hose Ø 10mm, 10 m long for SATA breathing protection systems	<b>487,70 (4)</b>
180851	SATA safety compressed air supply hose Ø 10mm, 40 m long for SATA breathing protection systems	<b>1.372,00 (4)</b>
Cleaning cloths		EURO
134965	SATA half mask cleaner (packing unit 10 pieces)	<b>28,40 (4)</b>
135020	SATA half mask cleaner (packing unit 50 pieces)	<b>117,50 (4)</b>
75358	SATA wet & dry cleaner (packing unit 10 pieces) Please observe: The supplied product has a limited use-by date!	<b>28,10 (4)</b>
83881	SATA wet & dry cleaner (packing unit 50 pieces) Please observe: The supplied product has a limited use-by date!	<b>115,80 (4)</b>
Head covers for SATA vision 2000		EURO
60541	Head / chest scarf, grey, over hood for SATA vision 2000 / n	<b>90,50 (4)</b>
		
56762	Head and chest cloth, grey for SATA vision 2000 / n	<b>82,60 (4)</b>

**SATA top air**

Spare parts	EURO
163535	87,10 (4)
Holder	
163543	86,80 (4)
Container with acme thread	
176420	6,80 (4)
O-ring 68 x 2.0 NBR for SATA top air	
199729	6,80 (4)
O-Ring for SATA top air	
24505	37,40 (4)
Safety quick closure coupling, free passage, for SATA top-air	
24612	9,00 (4)
Nipple	
24919	6,80 (4)
O-ring	
24950	61,60 (4)
Safety valve, complete, for SATA top-air	
46169	13,00 (4)
Plug-in nipple for SATA top-air	
53975	2,20 (4)
Hose clamp 10.5 GER	
63214	14,50 (4)
Closing screw for SATA top-air	
70789	4,00 (4)
O-ring 5 x 2 mm, ethylene-propylene, for control piston SATA LP90	
72611	99,70 (4)
Valve, complete, for SATA top-air	
81158	256,10 (4)
Humidifier module cpl.	
82917	17,00 (4)
Breathing air hose, cpl.	

**SATA air warmer / air cooler**

Spare parts	EURO
1099	6,30 (3)
Closing screw DIN 906 G 1/8-ST., nickel-plated	
1503	2,80 (3)
Countersunk screw M4 x 8 DIN 965, stainless steel, for micrometer und round/flat spray control	
29413	12,20 (4)
Nipple	
53934	33,90 (4)
Safety quick coupling for SATA full face respirator	
65557	21,70 (3)
Control knob	



## air star F 2.0



## Available versions

EURO

1173252  
air star F 2.0 including hygiene storage box with filter A2 and P3

**101,60 (2)**

## Accessories

EURO

134965  
SATA half mask cleaner (packing unit 10 pieces)

**28,40 (4)**

135020  
SATA half mask cleaner (packing unit 50 pieces)

**117,50 (4)**

**Spare parts**

**air star F 2.0**

EURO

1173202 **53,40 (4)**

Filter kit filter classes A2 and P3

1181510 **42,10 (4)**

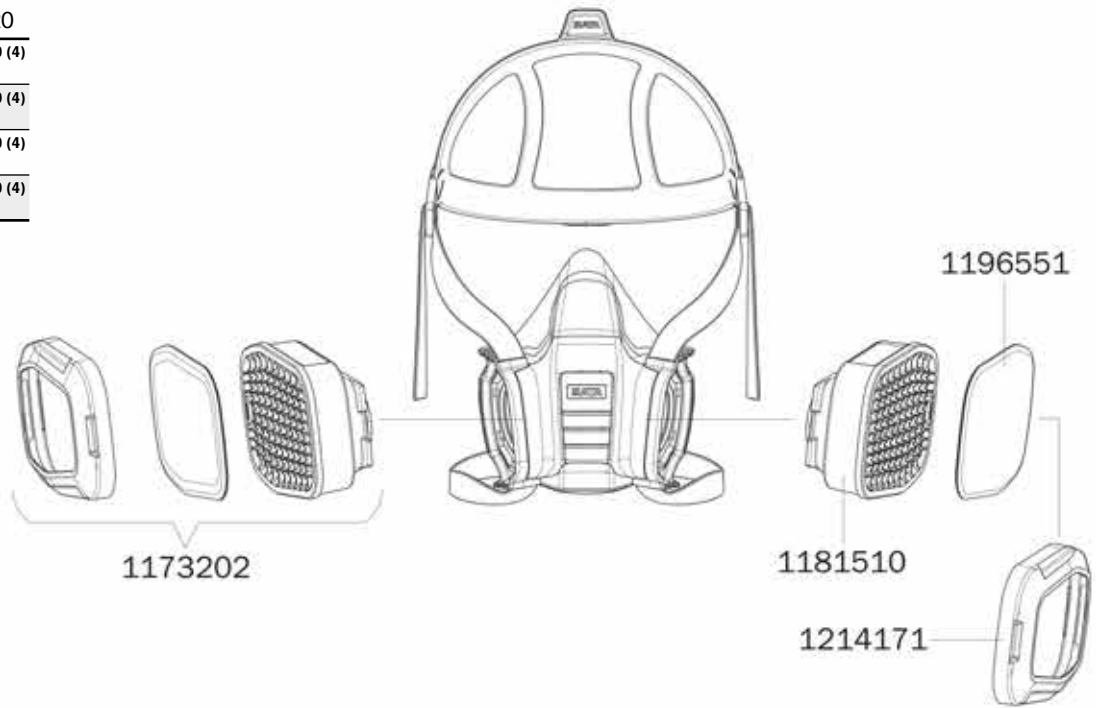
Filter pair A2

1196551 **14,00 (4)**

Filter pair P 3

1214171 **7,40 (4)**

Filter cover, pack of 2 pieces

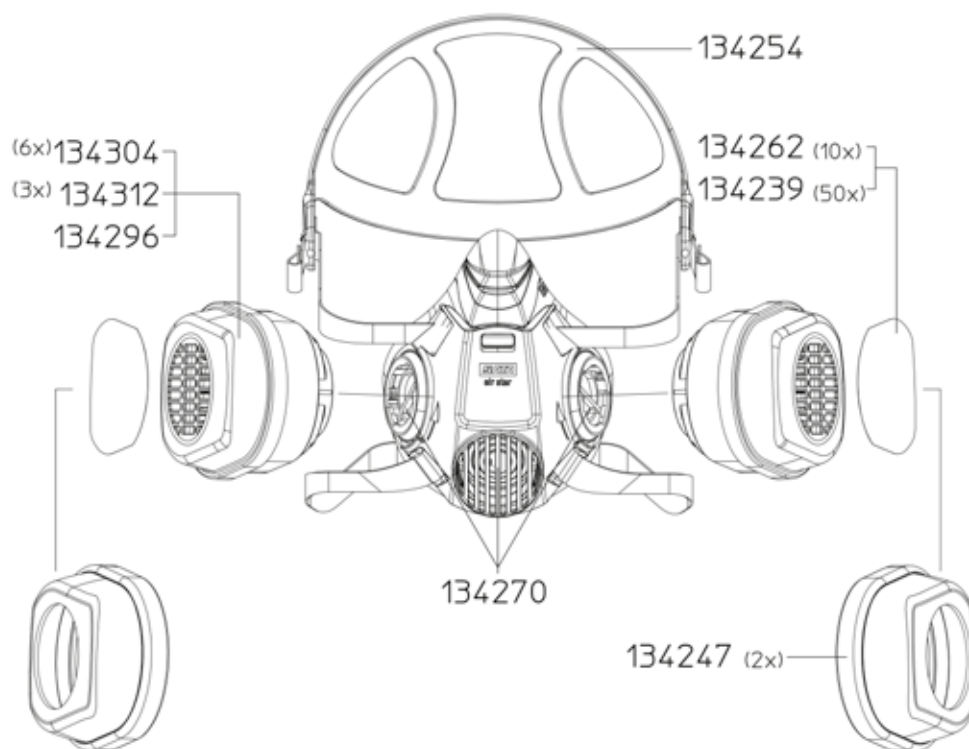


Spare parts

**SATA air star F**

EURO

134239	<b>43,60 (4)</b>
Pre-filter (packing unit 50 pieces)	
134247	<b>17,70 (4)</b>
Pre-filter holder, red (packing unit 2 pieces) and pre-filter (packing unit 10 pieces) Please observe: The supplied product has a limited use-by date!	
134254	<b>36,40 (4)</b>
Head strap with fixing unit and yoke for SATA air star C	
134262	<b>12,90 (4)</b>
Pre-filter (packing unit 10 pieces)	
134270	<b>61,10 (4)</b>
Inhalation and exhalation diaphragms (packing unit 5 pieces or 10 pieces, resp.)	
134296	<b>53,80 (4)</b>
Special filter A2 P3 R D (1 pair)	
134304	<b>257,70 (4)</b>
Special filter A2:P3 R D (6 pairs)	
134312	<b>135,60 (4)</b>
Special filter A2:P3 D (3 pairs)	



SPRAY GUNS

CUP SYSTEMS

BREATHING PROTECTION

FILTER TECHNOLOGY

ADDITIONAL PRODUCTS

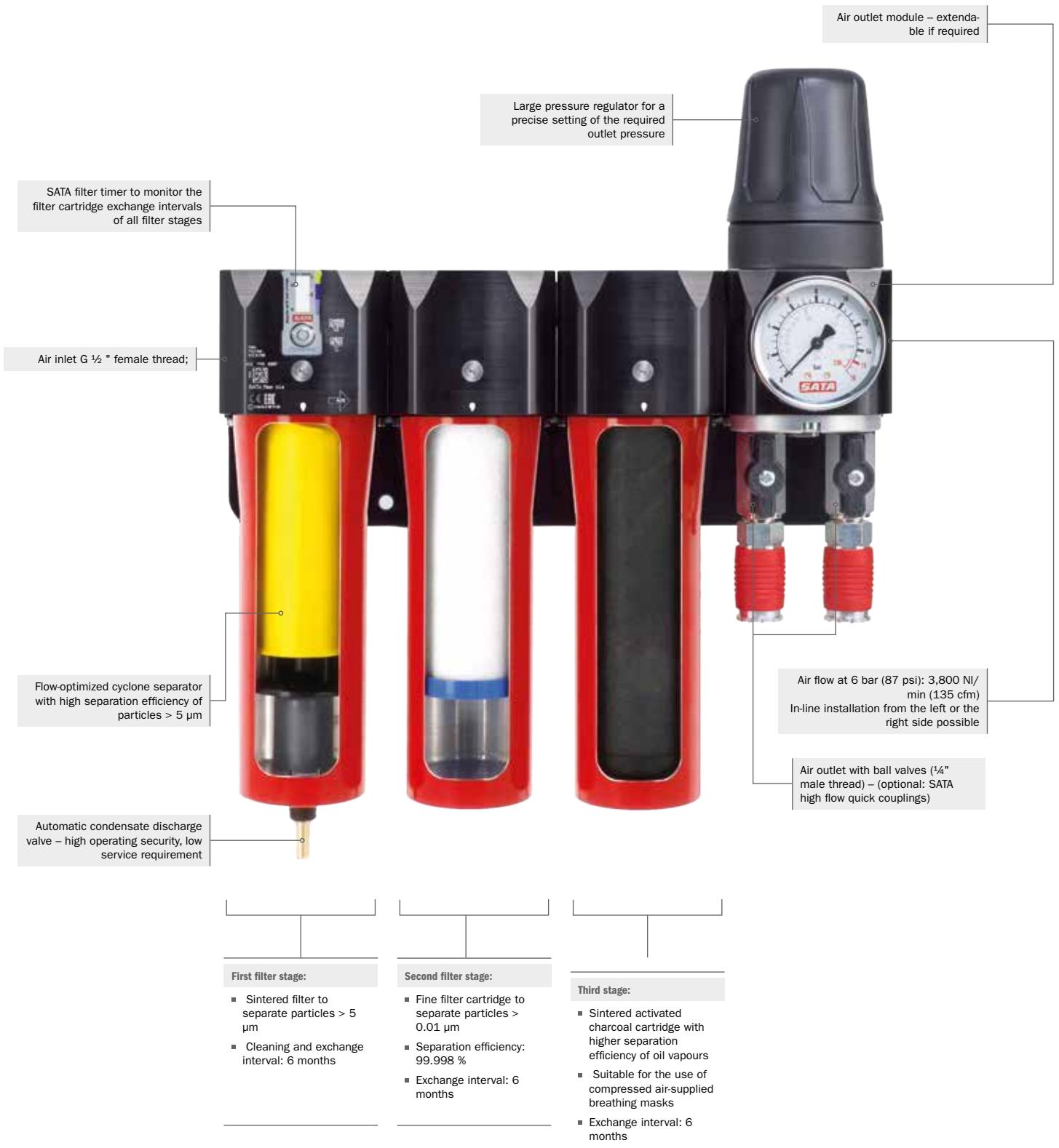
MERCHANDISING ITEMS



Air Star F 2.0  
100%  
100%  
100%



# Filter Technology



## Filter Technology

## Product description

## Product advantages



**SATA filter**  
**584/564/544/524**  
130

The SATA filter series 500 is available either as a one-stage sintered filter with water and oil separator, as a two-stage combination filter with sintered and fine filter, or as a three-stage filter unit with additional sintered activated charcoal filter.

- Higher absorption of contaminations (compared to SATA filter 484) due to the new sintered activated charcoal filter
- Synchronised maintenance: Filter maintenance only necessary every six months for all stages
- Maintenance-free bayonet lock with haptic and acoustic feedback
- Fine filter and activated charcoal filter cartridges fit perfectly by simply being inserted – no screw fittings or additional seals
- Simple plug-in system for upgrading SATA filter 544 to 584
- Maintenance-free sealing elements
- Line connection possible either from the left or the right side
- Air flow at 6 bar: 3,800 NI/min



**SATA filter 103 prep/101 prep/100 prep**  
134

The SATA filters 100 prep and 103 prep have been specially developed for the requirements at the work preparation area. By using these filters, coating flaws can be avoided from the beginning. Not suitable for use in spray booths.

- Finest particles are separated down to a size of 0.1 µm
- The first filter stage with large cyclone separator and sinter filter reliably removes oil droplets, condensate and suspended particles from the compressed air.
- The second filter stage, the microfiber fine filter, separates fine particles down to a size of 0.1 µm
- The third filter stage with activated charcoal provides the highest level of safety when processing waterborne primer materials.
- The automatic condensate drain of the 1st filter stage keeps the service effort low and increases the operational reliability
- Pressure regulator valve with gauge for precise adjustment of the outlet pressure
- Ideal for the work preparation area with temperatures < 50 °C
- Air flow rate 800 NI/min at 6 bar inlet pressure.







# SATA filter

## 584/564/544/524

<b>Technical Data</b>	<b>SATA filter 584/564/544/524</b>
Max. air flow	3800 NI/min
Max. permissible surrounding temperature (with / without activated charcoal)	60 °C; 120 °C
Max. air inlet pressure	15,0 bar
Thread connection inlet side	G 1/2" (female thread)
Exchange interval first filter stage	6 Months
Exchange interval second filter stage	6 Months
Exchange interval third filter stage	6 Months



### Combi filter

	EURO	
1099953 SATA filter 584 triple-stage sinter filter/fine filter/activated charcoal with pressure regulator and outlet module (2 x 1/4" male thread)	<b>1.790,00 (1)</b>	
1101675 SATA filter 584 mobil, triple-stage sintered filter/fine filter/activated charcoal with pressure regulator, air outlet (2x quick coupling) and SATA air hose, 13 mm with trolley	<b>2.011,00 (1)</b>	
1101625 SATA filter 584 with carrying support triple-stage sinter filter/fine filter/activated charcoal, pressure regulator, outlet module (2 x 1/4" male thread)	<b>1.996,00 (1)</b>	
1101005 SATA filter 564 add-on kit activated charcoal filter to retrofit SATA filter 544 to SATA filter 584	<b>862,00 (1)</b>	
1100990 SATA filter 544 double-stage sinter filter/fine filter with pressure regulator and outlet module (2 x 1/4" male thread)	<b>1.301,00 (1)</b>	
1101659 SATA filter 524 single-stage sinter filter, pressure regulator, outlet module (2 x 1/4" male thread)	<b>746,00 (1)</b>	

SPRAY GUNS  
 CUP SYSTEMS  
 BREATHING PROTECTION  
 FILTER TECHNOLOGY  
 ADDITIONAL PRODUCTS  
 MERCHANDISING ITEMS

**Combi filter**

EURO

1101641

SATA filter 524 L single-stage sinter filter, pressure regulator, for pipeline installation (G 1/2" female thread)

**602,00 (1)**

1101667

SATA pressure reducer with gauge 0-10 bar (0-145 psi), air outlet G 1/2" (female thread)

**491,00 (1)**

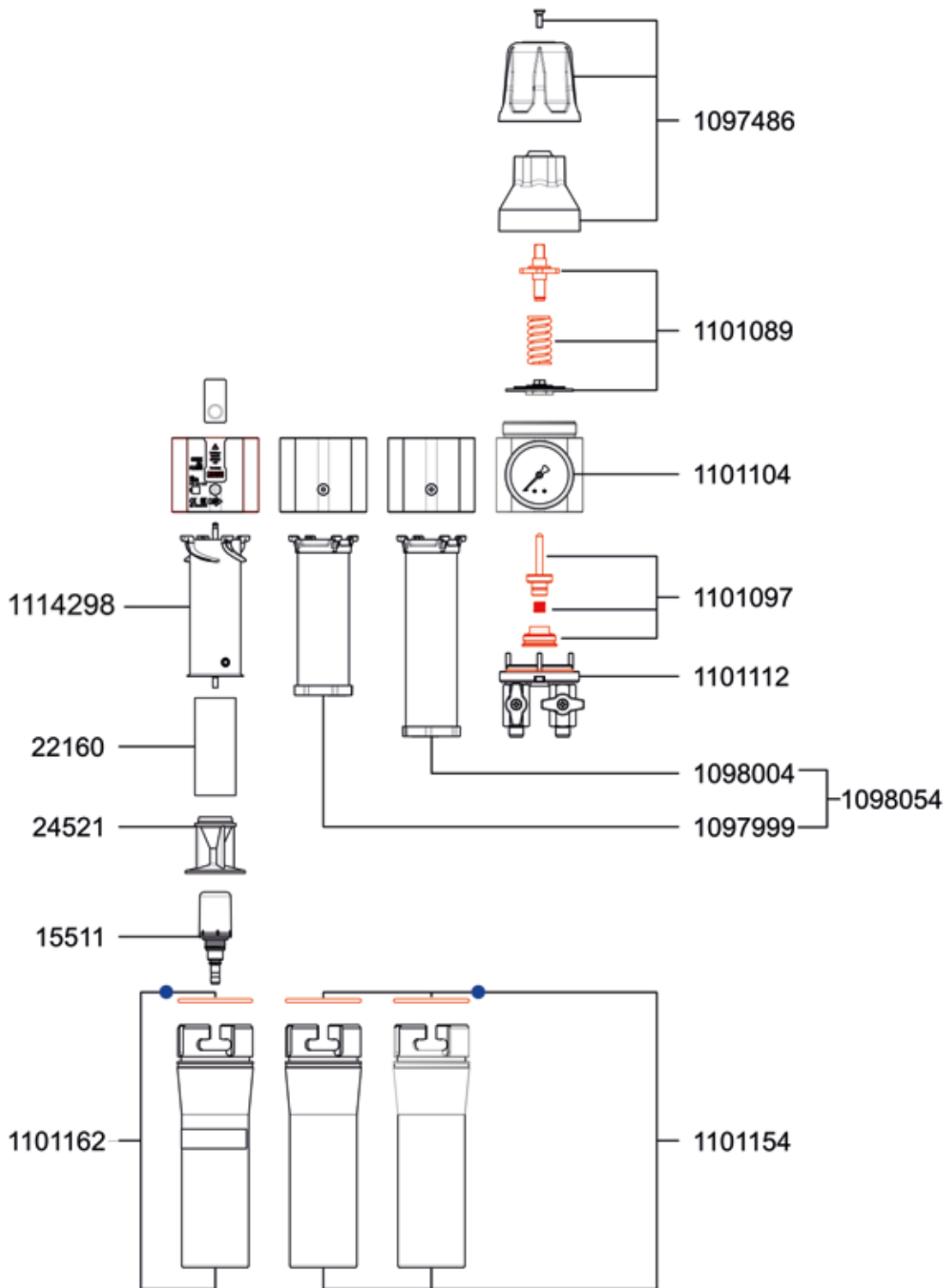
Spare parts

SATA filter

584/544

EURO

1097486	26,40 (3)
Pressure reducer cap with pressure adjustment screw and countersunk screw	
1097999	192,70 (3)
Fine filter cartridge	
1098004	300,30 (3)
Activated charcoal cartridge	
1098054	443,50 (3)
Service kit for SATA filter series 500: with fine filter and activated charcoal cartridge	
1101089	137,80 (3)
Diaphragm incl. pressure spring and spindle	
1101097	101,00 (3)
Pressure steering unit	
1101104	40,60 (3)
Pressure gauge 0 - 15 bar (0-145 psi)	
1101112	178,20 (3)
Cover unit with ball valves 2 pcs.	
1101154	94,80 (3)
Filter housing	
1101162	191,10 (3)
Filter sleeve with automatic discharge valve	
1114298	83,80 (3)
Cyclone separator	
15511	87,10 (3)
Automatic condensate drain valve	
22160	60,10 (3)
Sintered filter	
24521	19,90 (3)
Condensate retainer	



Repair kit	EURO
1102087 Service unit SATA Filter series 400	141,10 (3)
1101518 Sealing kit	44,10 (3)



SPRAY GUNS  
 CUP SYSTEMS  
 BREATHING PROTECTION  
 FILTER TECHNOLOGY  
 ADDITIONAL PRODUCTS  
 MERCHANDISING ITEMS

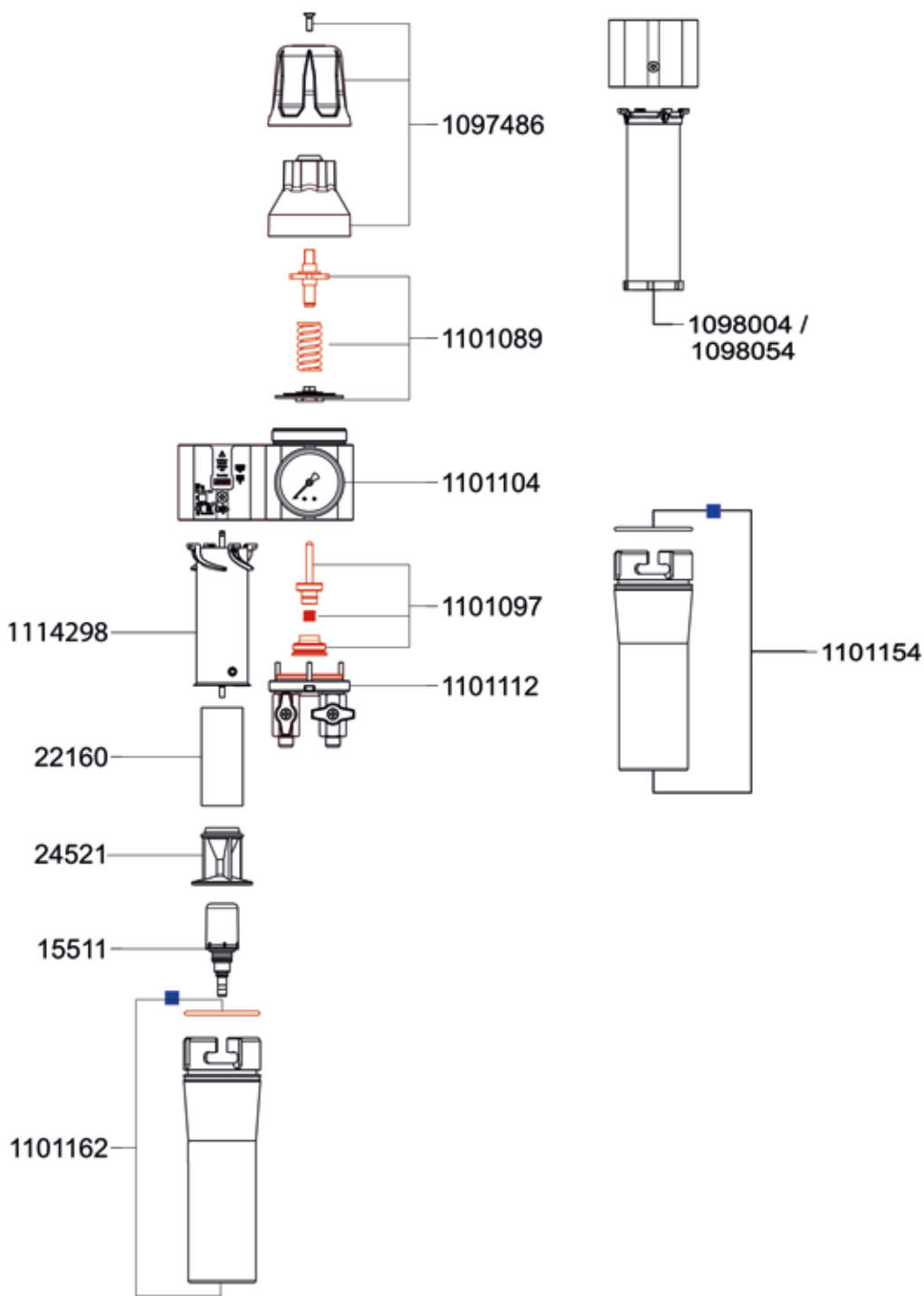
Spare parts

SATA filter

564/524

EURO

1097486	26,40 (3)
Pressure reducer cap with pressure adjustment screw and countersunk screw	
1098004	300,30 (3)
Activated charcoal cartridge	
1098054	443,50 (3)
Service kit for SATA filter series 500: with fine filter and activated charcoal cartridge	
1101089	137,80 (3)
Diaphragm incl. pressure spring and spindle	
1101097	101,00 (3)
Pressure steering unit	
1101104	40,60 (3)
Pressure gauge 0 - 15 bar (0-145 psi)	
1101112	178,20 (3)
Cover unit with ball valves 2 pcs.	
1101154	94,80 (3)
Filter housing	
1101162	191,10 (3)
Filter sleeve with automatic discharge valve	
1114298	83,80 (3)
Cyclone separator	
15511	87,10 (3)
Automatic condensate drain valve	
22160	60,10 (3)
Sintered filter	
24521	19,90 (3)
Condensate retainer	



Repair kit

EURO

1102087	141,10 (3)
Service unit SATA Filter series 400	
1101518	44,10 (3)
Sealing kit	






# SATA filter 103 prep/101 prep/100 prep

<b>Technical Data</b>	<b>SATA filter 103 prep/101 prep/100 prep</b>
Max. air flow	800 NI/min
Max. permissible surrounding temperature (with / without activated charcoal)	50 °C
Max. air inlet pressure	10,0 bar
Thread connection inlet side	G 1/2" (female thread)
Exchange interval first filter stage	6 Months
Exchange interval second filter stage	6 Months
Exchange interval third filter stage	3 Months



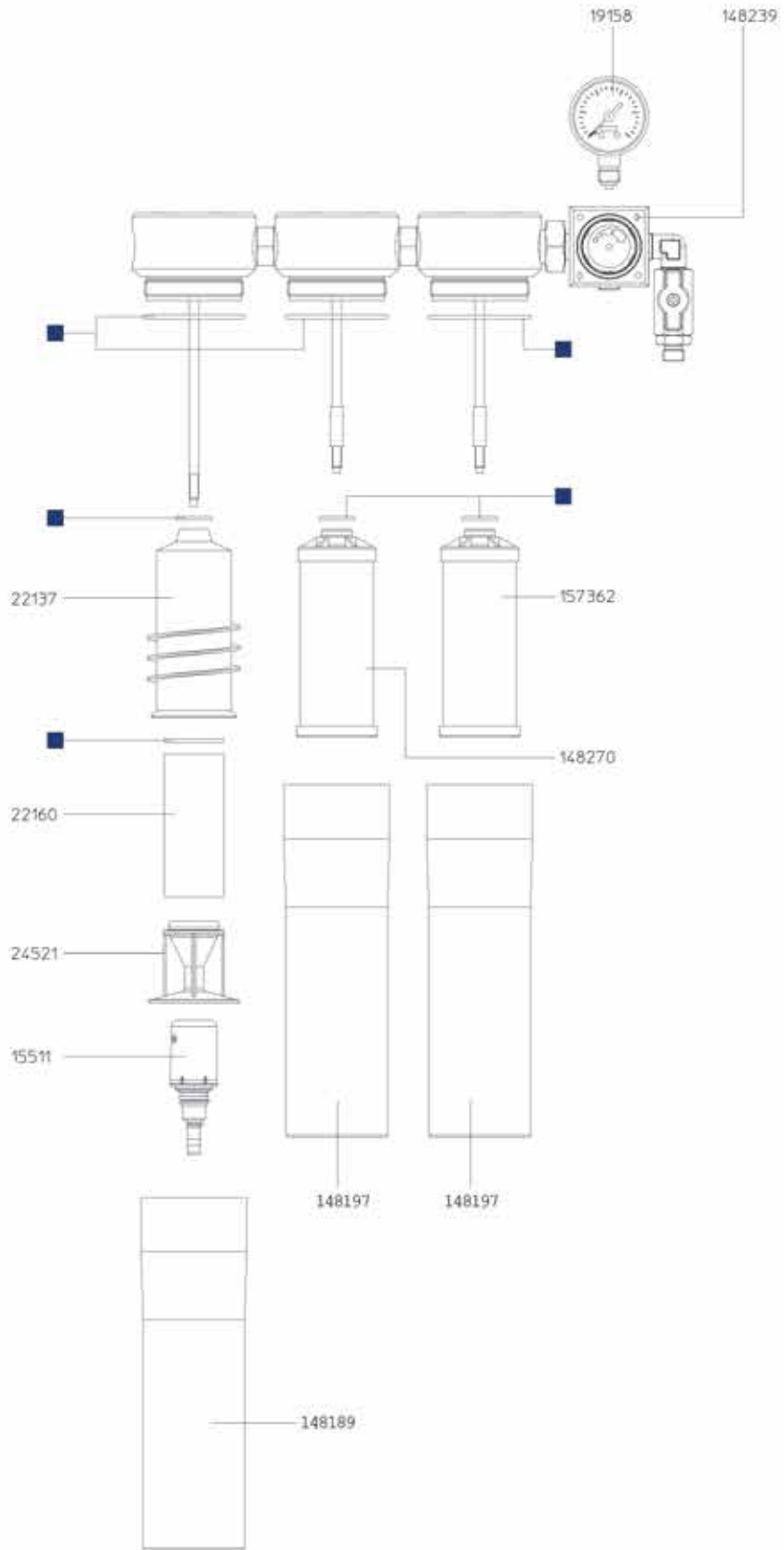
## Available versions

	EURO	
157420 SATA filter 103 prep triple-stage sinter filter/fine filter/activated charcoal filter with pressure regulator and 1 outlet tap (1/4" male thread)	<b>851,00 (5)</b>	
157412 SATA filter 101 prep single-stage activated charcoal filter to retrofit filter 100 prep to filter 103 prep	<b>339,00 (5)</b>	
148247 SATA filter 100 prep double-stage sinter filter/fine filter with pressure regulator outlet (1 x 1/4" male thread)	<b>740,00 (1)</b>	

SPRAY GUNS  
 CUP SYSTEMS  
 BREATHING PROTECTION  
 FILTER TECHNOLOGY  
 ADDITIONAL PRODUCTS  
 MERCHANDISING ITEMS













**Spare parts**  
**SATA filter 103**













prep	EURO
148189	<b>64,60 (3)</b>
Filter housing, drilled and coated	
148197	<b>64,20 (3)</b>
Filter sleeve, processed and coated	
148239	<b>224,60 (3)</b>
Pressure regulation valve	
148270	<b>134,90 (3)</b>
Fine filter cartridge	
15511	<b>87,10 (3)</b>
Automatic condensate drain valve	
157362	<b>170,90 (3)</b>
Activated charcoal cartridge	
19158	<b>39,60 (4)</b>
Pressure gauge 0 - 10 bar, 50 mm	
22137	<b>74,40 (3)</b>
Cyclone separator	
22160	<b>60,10 (3)</b>
Sintered filter	
24521	<b>19,90 (3)</b>
Condensate retainer	



Repair kit	EURO
148528 Sealing kit	<b>25,30 (3)</b>

## Accessories for SATA filter series

Filter cartridges	EURO	
1098054 Service kit for SATA filter series 500: with fine filter and activated charcoal cartridge	<b>443,50 (3)</b>	
214270 SATA six pack with #81810 (packing unit 2 pieces) and #85373 (packing unit 4 pieces) for SATA filter 484	<b>956,30 (3)</b>	
138933 Service kit for filter series 400: with fine filter cartridge and activated charcoal cartridge	<b>336,80 (3)</b>	
1098004 Activated charcoal cartridge for SATA filter series 500	<b>300,30 (3)</b>	
85373 Activated charcoal cartridge for SATA filter series 200, 300 and 400	<b>205,90 (3)</b>	
157362 Activated charcoal cartridge for SATA filter series 100 prep	<b>170,90 (3)</b>	
1097999 Fine filter cartridge for SATA filter series 500	<b>192,70 (3)</b>	
81810 Fine filter cartridge for SATA filter series 200, 300 and 400	<b>164,80 (3)</b>	
148270 Fine filter cartridge for SATA filter series 100 prep	<b>134,90 (3)</b>	
22160 Sintered filter for all SATA filter series	<b>60,10 (3)</b>	
206151 SATA filter timer for sinter filter	<b>4,10 (3)</b>	
Filter Accessories	EURO	
1114305 Wall-mounted holder for SATA filter 584- special version for installation in existing compressed air line systems	<b>60,80 (3)</b>	

<b>Filter Accessories</b>	EURO	
1101146 Manifold SATA filter 500	<b>244,70 (3)</b>	
1107269 SATA high-flow coupling, red, female, packaging unit 2 pcs. for SATA filter series 500	<b>121,00 (3)</b>	
158824 Manifold for extension with 2 ball valves for SATA filter series 400	<b>144,50 (4)</b>	
13599 SATA quick coupling G 1/4" (female thread)	<b>21,30 (1)</b>	
10934 Ball tap (Teflon) 1/2" male thread for air inlet SATA filter series 100, 300, 400, 500 and cleaning devices	<b>100,70 (3)</b>	
9878 SATA mini filter 1/4" (male thread)	<b>91,90 (3)</b>	
1101500 SATA filter cover (packing unit 4 pieces) for SATA filter series 500	<b>83,70 (3)</b>	
215053 SATA filter cover (packing unit 4 pieces) for all SATA filter series, except 500	<b>66,60 (3)</b>	
<b>Air quality control</b>	EURO	
7096 SATA air check set compressed air quality control device for optimum spray air	<b>438,30 (5)</b>	
7666 Diaphragm (packing unit 10 pieces) for SATA air check set	<b>79,10 (4)</b>	
156299 SATA air tester, atomisation air quick tester	<b>50,00 (4)</b>	
1107350 Service chart for the spray booth, A3, German / English for SATA filter series 500	-	
133587 SATA Service Tacho for the paint spray booth, German/English, DIN A3	-	

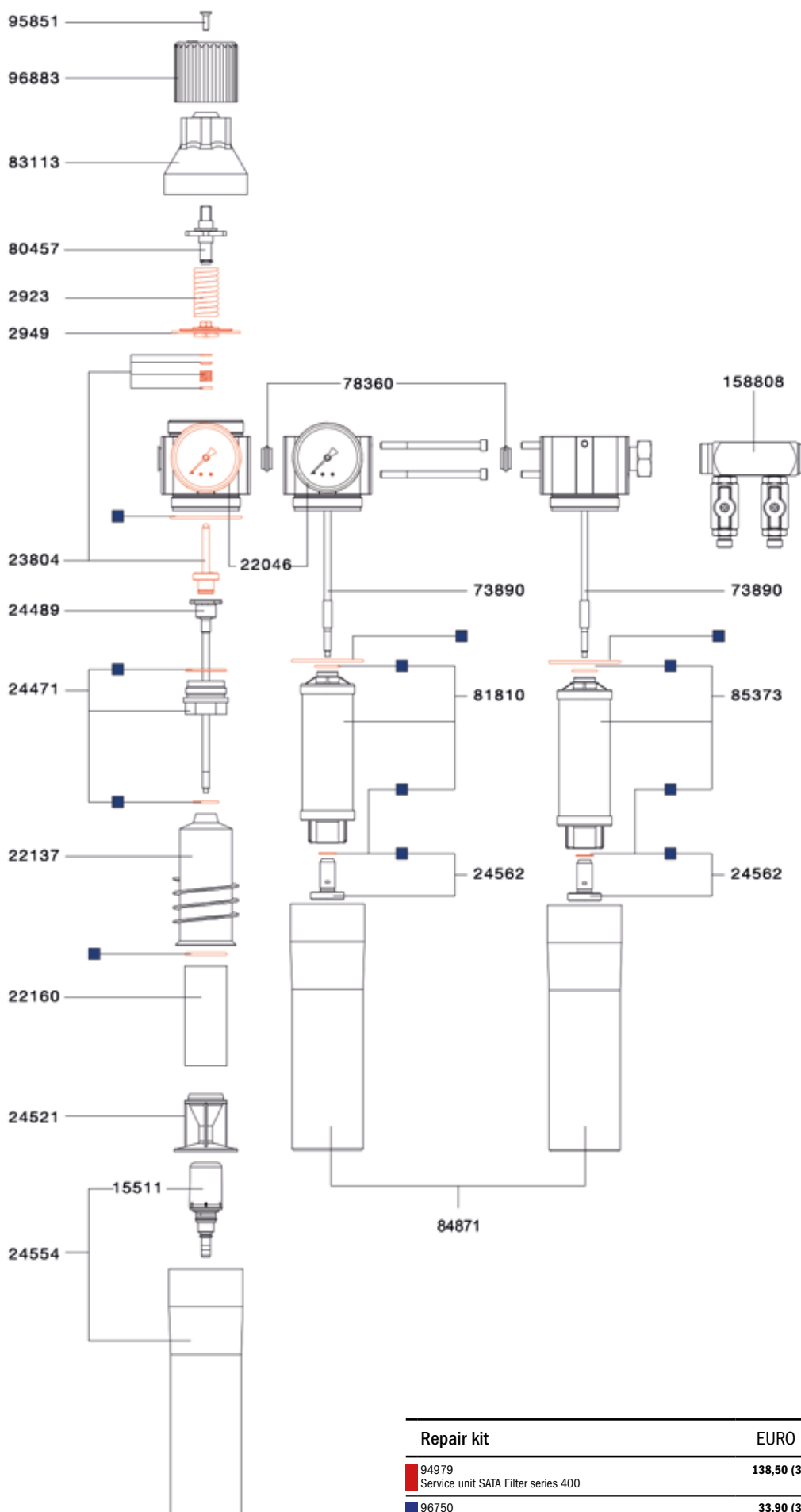
Spare parts

SATA filter

484/474/444

EURO

15511	87,10 (3)
Automatic condensate drain valve	
158808	129,30 (4)
Manifold 2x 1/4" (male thread)	
22046	36,50 (3)
Pressure gauge 0 - 10 bar, 50 mm	
22137	74,40 (3)
Cyclone separator	
22160	60,10 (3)
Sintered filter	
23804	90,50 (3)
Pressure valve	
24471	14,70 (3)
Plastic nut with 2 O-rings for SATA filter series 300 and 400	
24489	59,50 (3)
Threaded rod with pressure valve head	
24521	19,90 (3)
Condensate retainer	
24554	156,40 (3)
Filter sleeve with automatic discharge valve	
24562	12,20 (3)
Adapter, cpl. with O-ring	
2923	9,10 (3)
Pressure spring	
2949	42,50 (3)
Diaphragm	
73890	7,00 (3)
Threaded rod	
78360	3,30 (4)
Gasket	
80457	40,60 (4)
Spindle for SATA filter series 400	
81810	164,80 (3)
Fine filter cartridge	
83113	10,20 (3)
Fixing nut	
84871	71,20 (3)
Filter sleeve	
85373	205,90 (3)
Activated charcoal cartridge	
95851	1,30 (3)
Countersunk screw M 5 x 16	
96883	5,00 (3)
Pressure adjustment screw	

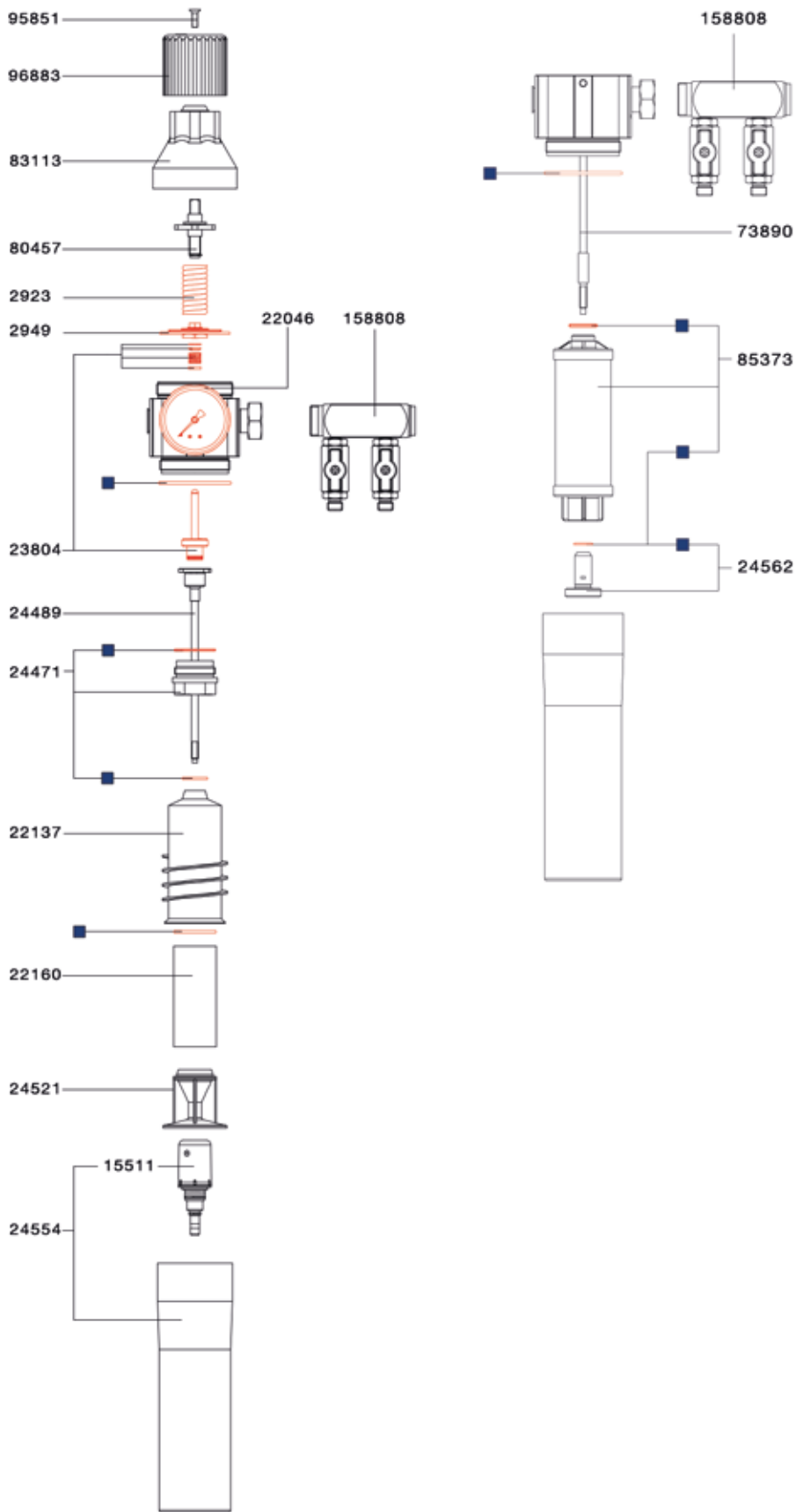


Repair kit	EURO
94979 Service unit SATA Filter series 400	138,50 (3)
96750 Sealing kit	33,90 (3)



SPRAY GUNS  
 CUP SYSTEMS  
 BREATHING PROTECTION  
 FILTER TECHNOLOGY  
 ADDITIONAL PRODUCTS  
 MERCHANDISING ITEMS

Spare parts	
SATA filter	
464/434/ 424/414	
	EURO
15511	87,10 (3)
Automatic condensate drain valve	
158808	129,30 (4)
Manifold 2x 1/4" (male thread)	
22046	36,50 (3)
Pressure gauge 0 - 10 bar, 50 mm	
22137	74,40 (3)
Cyclone separator	
22160	60,10 (3)
Sintered filter	
23804	90,50 (3)
Pressure valve	
24471	14,70 (3)
Plastic nut with 2 O-rings for SATA filter series 300 and 400	
24489	59,50 (3)
Threaded rod with pressure valve head	
24521	19,90 (3)
Condensate retainer	
24554	156,40 (3)
Filter sleeve with automatic discharge valve	
24562	12,20 (3)
Adapter, cpl. with O-ring	
2923	9,10 (3)
Pressure spring	
2949	42,50 (3)
Diaphragm	
73890	7,00 (3)
Threaded rod	
80457	40,60 (4)
Spindle for SATA filter series 400	
83113	10,20 (3)
Fixing nut	
85373	205,90 (3)
Activated charcoal cartridge	
95851	1,30 (3)
Countersunk screw M 5 x 16	
96883	5,00 (3)
Pressure adjustment screw	



Repair kit		EURO
94979	Service unit SATA Filter series 400	138,50 (3)
96750	Sealing kit	33,90 (3)









air star F 2.0

ART. NO. 1102778



EVA

SATA Outdoor & Co. KG  
Dorndorfer Str. 43  
70808 Kammelsdorf  
Germany

Additional products	Product description	Product advantages
 <p><b>SATA mini Set 2</b> 144</p>	<p>The SATA mini set 2 pressure pot processes materials up to two litres. Due to the double pressure reducer, an optimum pressure of material and atomising compressed air is achieved. The pulsation-free and even material supply enables perfect painting finishes and saves time due to continuous work without interruptions.</p>	<ul style="list-style-type: none"> <li>• Time saving through continuous working without interruption</li> <li>• Unrestricted mobility thanks to the shoulder belt - especially in commercial vehicles as well as when using ladders or scaffolding</li> <li>• For supplying material pressure fed spray guns, such as the SATAjet 3000 K</li> </ul>
 <p><b>SATA material pressure tank 10</b> 146</p>	<p>The SATA material pressure tank 10 is a high-quality, robust system for air atomising painting. It can be used with a wide variety of materials – without vapours or gases escaping into the environment. The SATA material pressure tank 10 offers numerous equipment variants – so that the optimum system can be configured for every project.</p>	<ul style="list-style-type: none"> <li>• Universal: The SATA material pressure tank 10 can be combined with all material-fed SATA spray guns</li> <li>• Robust material pressure tank made of stainless steel</li> <li>• Versatile use with paints, architectural coatings, dispersions, adhesives and release agents</li> <li>• Numerous versions thanks to extensive range of equipment and accessories</li> <li>• Suitable for materials of fluid groups 1 and 2</li> <li>• Up to 6 bar material pressure in the tank, useful capacity approx. 9 litres</li> </ul>
 <p><b>SATA material pressure tank 22</b> 148</p>	<p>The robust stainless steel material pressure tank is suitable for pulsation-free processing of different materials without vapours or gases escaping into the environment. It is available in numerous versions and with a wide range of accessories – different coating tasks.</p>	<ul style="list-style-type: none"> <li>• Universal: the SATA material pressure tank 22 can be combined with all material-fed SATA spray guns</li> <li>• Versatile use with materials of fluid groups 1 and 2 – from paint, architectural coatings and dispersions to adhesives and release agents</li> <li>• Individual special solutions due to large range of accessories: double pressure reducer, manual, compressed air or electric agitator, wheels, connection for a second spray gun and much more</li> <li>• Suitable for materials of fluid groups 1 and 2</li> <li>• Also available with material outlet at the bottom for high viscosity material</li> <li>• Up to 6 bar material pressure in the tank, useful capacity approx. 19.5 litres</li> </ul>
 <p><b>SATA material pressure tank 45</b> 150</p>	<p>The solution for major projects: The SATA material pressure tank 45 is recommended for the pulsation-free processing of various materials in quantities of up to 45 litres. With the comprehensive range of versions and accessories, the right configuration can be found for every application.</p>	<ul style="list-style-type: none"> <li>• Universal: the SATA material pressure tank 45 can be combined with all material-fed SATA paint spray guns</li> <li>• Versatile use with materials of fluid groups 1 and 2 – from paint, architectural coatings and dispersions to adhesives and release agents</li> <li>• Individual special solutions due to large range of accessories: double pressure reducer, manual, compressed air or electric agitator, wheels, connection for a second spray gun and much more</li> <li>• Suitable for materials of fluid groups 1 and 2</li> <li>• Up to 6 bar material pressure in the tank, useful capacity approx. 42.5 litres</li> </ul>

Additional products	Product description	Product advantages
 <p><b>SATA vario top spray</b> 152</p>	<p>The high-performance double diaphragm pump SATA vario top spray is the perfect system for continuous application of larger material amounts. The SATA vario top spray is a real problem solver in vehicle and industrial painting, in machine construction, as well as in wood and furniture painting. All solvent-based paint systems of the most varied viscosities and structures, but also water-based paints, can be processed without problems.</p>	<ul style="list-style-type: none"> <li>• Efficient - continuous operation and high area output</li> <li>• Versatile - finest atomisation of pre- and topcoats with proven and high-quality SATA paint spray guns</li> <li>• Variable - modular device design for optimum adaptation to any task</li> <li>• High performance and low wear - through proven double diaphragm technology</li> <li>• Robust stainless steel design for water-based paint systems</li> </ul>
 <p><b>Rustproofing equipment</b> 156</p>	<p>High-performance equipment for the application of different materials for cavity preservation and underbody protection. The SATA HRS pressurised cup spray gun for cavity preservation uses compressed air atomising technology. Particularly in the case of cavity preservation, many years of experience have shown that air-atomising overpressure systems are ideally suited to transport preservation waxes evenly and finely atomized into every corner of the cavity. In the field of corrosion protection, a wide range of cavity wands and nozzles is available for the application of standardised as well as VOC-compliant, high-solids wax materials.</p>	<ul style="list-style-type: none"> <li>• Efficient application of rust-proofing wax in vehicle cavities</li> <li>• Possibility of using different wand systems for cavity preservation and underbody protection</li> <li>• Low wear, low maintenance, sturdy bodyshop version</li> <li>• For all purposes – also for the application of large surfaces with special wand and nozzle systems</li> <li>• Easy coupling system for quick wand exchange</li> </ul>
 <p><b>SATA clean RCS</b> 160</p>	<p>The SATA clean RCS is a compressed air operated cleaning system for the intermediate cleaning of the spray guns. SATA clean RCS – the turbo cleaner in the spray booth allows one or more colour changes in succession with extremely short cleaning interruptions, saving additional working distances and increasing productivity and efficiency.</p>	<ul style="list-style-type: none"> <li>• Quick and safe colour changes when using multi-purpose cups (such as SATA RPS) - even with critical colour changes, e.g. black and white</li> <li>• No need to disconnect the spray gun or adjust the inlet pressure - automatic pressure adjustment when switching between "spraying" and "cleaning"</li> <li>• Increased efficiency - through optimized work processes and booth utilization</li> <li>• Thorough - Cleaning the material passage and the air nozzle</li> <li>• Universal - suitable for water- and solvent-based coating systems</li> </ul>
 <p><b>SATA multi clean 2</b> 163</p>	<p>Paint spray guns should be thoroughly cleaned at least once a day and rinsed after each painting job. This can be done gently, conveniently and economically with the SATA multi clean 2 – the powerful automatic washing machine with hand washing place and extraction unit.</p>	<ul style="list-style-type: none"> <li>• Brush soaked in cleaning agent for manual cleaning</li> <li>• Low-pressure air connection to prevent cleaning solution from penetrating the air passages of the spray gun during the cleaning and rinsing process.</li> <li>• Powerful, pneumatically operated double diaphragm pump – robust and low-wear</li> <li>• Two separate storage containers for the cleaning and rinsing cycle</li> <li>• Only 0.2 l of fresh cleaning solution needed for each cleaning cycle – fresh cleaning solution is only required for the rinsing process</li> <li>• Replaceable filter mat (Art. No. 38042) to absorb coarse residues</li> <li>• Automatic fume extraction system protects the painter from harmful vapours whilst the lid of the cleaning chamber is open</li> </ul>




SPRAY GUNS  
 CUP SYSTEMS  
 BREATHING PROTECTION  
 FILTER TECHNOLOGY  
 ADDITIONAL PRODUCTS  
 MERCHANDISING ITEMS

Additional products	Product description	Product advantages
 <p><b>SATA trueSun</b> 164</p>	<p>The SATA trueSun daylight solution has a wide colour spectrum and reproduces colour tones true to original: The even light distribution over the illuminated surface reliably helps bodyshops to find the right colour and to avoid wrong decisions and thus extra work. The continuously adjustable light intensity remains constant over the entire battery life.</p>	<ul style="list-style-type: none"> <li>• Almost like daylight - best possible colour reproduction and visibility of effect pigments</li> <li>• Uniform light distribution - across the entire light cone</li> <li>• Strong and fast-charging battery - approx. 70 minutes operating time at full light intensity and full charging cycle in approx. 50 minutes</li> <li>• Constant light intensity – independent of the battery charge state</li> <li>• Infinitely adjustable light intensity</li> <li>• Easily detect painting defects such as cloudiness</li> </ul>
 <p><b>SATA dry jet 2</b> 166</p>	<p>With the SATA dry jet 2 dry blow gun, you can significantly shorten the flash-off and thus the cabin occupancy times. It uses the so-called Venturi principle. In addition to the supplied compressed air, a multiple of ambient air is sucked in. The uniform, wide air flow generated in the injector zone of the wide spray nozzle also contributes to a reduction in flash-off time. Thus, the SATA dry jet 2 achieves an approx. 15 % higher drying performance compared to commercially available models.</p>	<ul style="list-style-type: none"> <li>• Shorter drying times with water-based paint systems</li> <li>• Low investment costs</li> <li>• Practical product versions</li> <li>• Integrated air regulation</li> <li>• Disposable sieve from the RPS multi-purpose cup system</li> <li>• Ergonomic handle</li> <li>• Easy handling</li> <li>• Long lifetime and low-maintenance</li> </ul>

## SATA mini Set 2

<b>Technical Data</b>	2 l
Air connection thread	1/4" (male thread)
Material connection thread	1/4" (male thread)
Max. operating pressure	2,5 bar
Material container	Aluminium
Material lid	Aluminium
Material suction tube	Brass
Fluid group	2

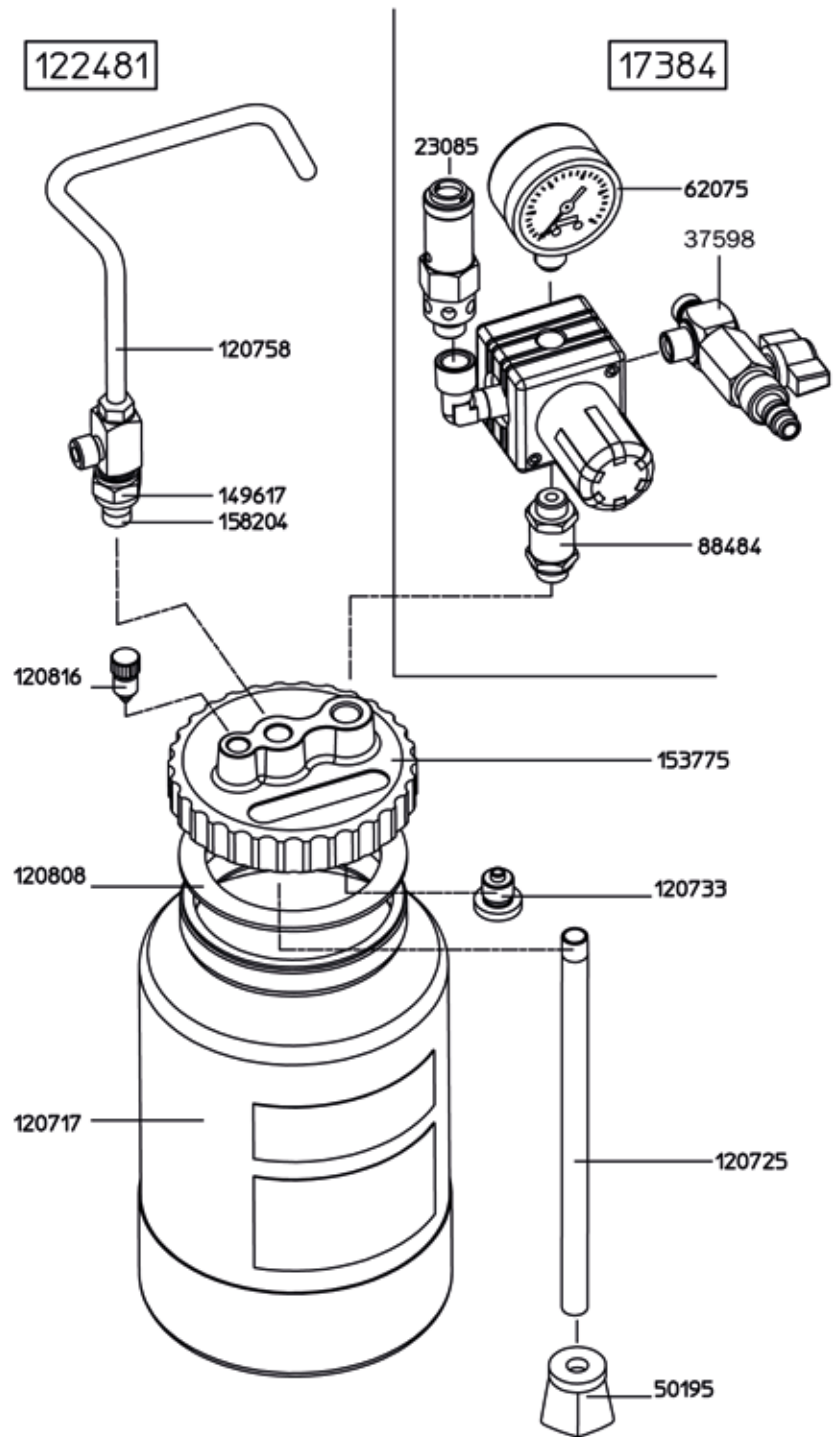


Available versions	EURO	
120840 SATA mini set 2 pressure pot 2 ltr. single pressure reducer	<b>571,00 (5)</b>	
57232 SATA mini set 2, paint pressure pot 2.0 l; double pressure reducer	<b>747,00 (5)</b>	
56408 SATA Mini Set 2 with SATAjet 3000 K RP 1.1, paint pipe, material filter 60 msh, hose pair 1.5 m	<b>1.238,00 (5)</b>	
83444 SATA Mini Set 2 with SATAjet 3000 K HVLP 1.2, paint pipe, material filter 60 msh, hose pair 1.5 m	<b>1.256,00 (5)</b>	
Accessories for SATA mini set 2	EURO	
5868 Shoulder strap for SATA mini set and SATA mini set 2	<b>85,90 (4)</b>	
19869 SATA hose pair 9 x 9 mm, 1.5 m, G 3/8" and G 1/4" (material), G 1/4" (air) (female thread) for SATA mini set 2	<b>80,00 (4)</b>	
SATA release agent application system	EURO	
187740 Separating agent spray system, consisting of pressure tank 2 l, DPR (double pressure reducer), SATAMinijet 1000 K RP 0.3, hose pair 3 m, complete	<b>1.332,00 (5)</b>	
187450 SATAMinijet 1000 K RP nozzle 0.3 material connection 1/4" (male thread)	<b>466,00 (1)</b>	
187690 SATA paint strainer 60 msh, 1/4" (male thread) for SATAMinijet 1000 K	<b>153,40 (1)</b>	
187708 SATA hose pair 6 x 6 mm, 3 m, G 1/4" (female thread) (material and air) for SATA mini set 2	<b>141,00 (4)</b>	
187419 SATA paint tube G 1/4 female thread - 1/4" male thread for SATAMinijet 1000 K	<b>81,30 (1)</b>	

\*The processing of coating materials in fluid group 1 is not allowed.

**Spare parts**

SATA mini Set 2	EURO
120717	243,00 (4)
2,0 l pressure pot, w/o lid	
120725	36,70 (4)
Suction pipe	
120733	20,60 (4)
Closing screw (packing unit 2 pieces)	
120758	147,80 (4)
Handle, cpl.	
120808	21,60 (4)
Sealing ring (packing unit 4 pieces)	
120816	46,90 (4)
Pressure release screw (packing unit 2 pieces)	
122481	460,30 (4)
2,0 l pressure pot, cpl. with handle, w/o controls and instruments	
149617	4,30 (4)
Sleeve nut for handle SATA mini set 2	
153775	83,10 (4)
Screw-on lid for mini set 2	
158204	30,80 (4)
Connection nipple	
17384	389,50 (4)
Pressure regulator with gauge 0-4 bar, safety valve 2.5 bar	
20677	56,80 (4)
Set of wear-and-tear parts for pressure regulation valve	
23085	84,40 (4)
Safety and drain valve 2.5 bar for MINI-SET 2 litres, G 1/4	
37598	54,10 (3)
Ball tap (Teflon), 1/4" (male thread)	
50195	21,20 (3)
Strainer (packing unit 2 pieces)	
62075	34,50 (4)
Pressure gauge 0 - 4 bar, 50 mm, red marking at 2.5 bar	
88484	88,60 (4)
One-Way valve	











# SATA material pressure tank 10



<b>Technical Data</b>	<b>10 l</b>
Air connection thread	1/4" (male thread)
Material connection thread	1/2" (male thread)
Max. operating pressure	6,0 bar
Material container	Stainless steel version
Material lid	Stainless steel version
Material suction tube	Stainless steel version
Fluid group	1

MPT 10	Consisting of:				
					
	Single pressure reducer	Double pressure reducer	Hand agitator	Compressed air agitator with gear drive	EURO
1182740	X				<b>1.336,00 (5)</b>
1182815		X			<b>1.438,00 (5)</b>
1182823	X		X		<b>1.479,00 (5)</b>
1182831		X	X		<b>1.581,00 (5)</b>
1182849	X			X	<b>2.856,00 (5)</b>
1182906		X		X	<b>2.958,00 (5)</b>

Accessories	EURO	
1183904 Liner, made of plastic material, electrically conductive, 5 pieces for SATA MPT 10	<b>103,90 (4)</b>	
1183889 Insert bucket, stainless steel for SATA MPT 10	<b>423,30 (4)</b>	
1183855 Electric agitator with gearing, protected against explosion hazard for SATA MPT 10	<b>1.693,20 (4)</b>	







SPRAY GUNS  
 CUP SYSTEMS  
 BREATHING PROTECTION  
 FILTER TECHNOLOGY  
 ADDITIONAL PRODUCTS  
 MERCHANDISING ITEMS





# SATA material pressure tank 22



<b>Technical Data</b>	<b>22 l</b>
Air connection thread	1/4" (male thread)
Material connection thread	1/2" (male thread)
Max. operating pressure	6,0 bar
Material container	Stainless steel version
Material lid	Stainless steel version
Material suction tube	Stainless steel version
Fluid group	1

MPT 22	Consisting of:					EURO
						
	Single pressure reducer	Double pressure reducer	Hand agitator	Compressed air agitator with gear drive	Motor driven agitator with gear drive	
1182914	X					<b>2.751,00 (5)</b>
1182922		X				<b>2.853,00 (5)</b>
1182930	X		X			<b>2.943,00 (5)</b>
1182948		X	X			<b>3.045,00 (5)</b>
1182956	X			X		<b>4.321,00 (5)</b>
1182964		X		X		<b>4.423,00 (5)</b>
1182972	X				X	<b>4.434,00 (5)</b>
1182980		X			X	<b>4.536,00 (5)</b>

Accessories	EURO	
1183425 Parts kit for undercarriage for SATA MPT 22 and 45	<b>337,60 (4)</b>	
1183441 Insert bucket, stainless steel for SATA MPT 22	<b>341,70 (4)</b>	

SPRAY GUNS  
 CUP SYSTEMS  
 BREATHING PROTECTION  
 FILTER TECHNOLOGY  
 ADDITIONAL PRODUCTS  
 MERCHANDISING ITEMS

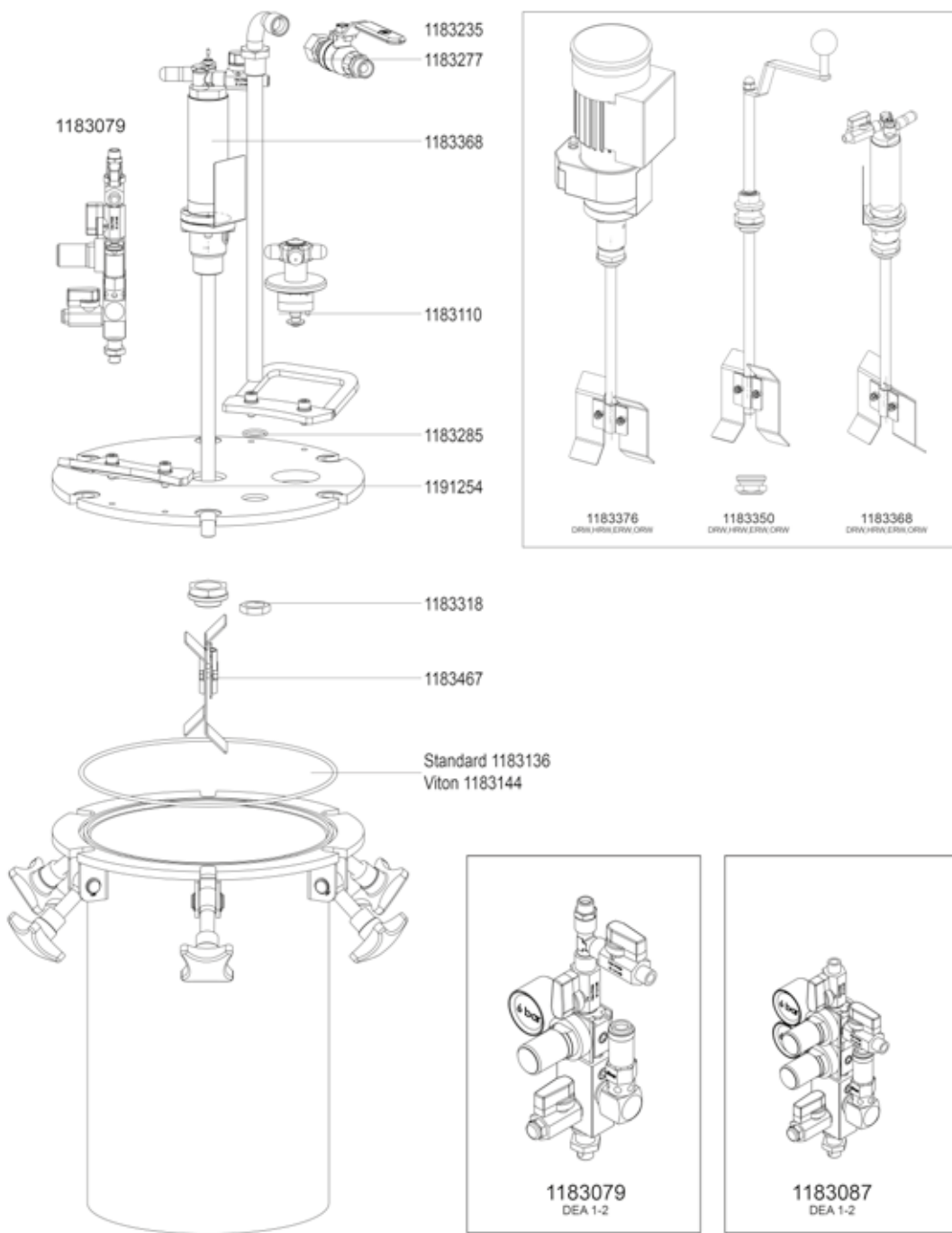
Spare parts

SATA material

pressure tank 22

EURO

1183079	<b>276,30 (4)</b>
Compressed air inlet fitting, single regulator complete with tee and ball valve 1/4"	
1183087	<b>386,60 (4)</b>
Compressed air inlet fitting with second regulator, container connection made of stainless steel	
1183095	<b>447,80 (4)</b>
Compressed air inlet fitting with pressure regulator, container connection made of stainless steel, air inlet including tee with ball valve 1/4"	
1183102	<b>142,70 (4)</b>
Material distribution block, stainless steel, for connecting 2 material extraction valves	
1183110	<b>311,10 (4)</b>
Intake closure, nominal width 55, stainless steel version	
1183128	<b>8,20 (4)</b>
O-ring for intake closure	
1183136	<b>110,10 (4)</b>
Lid seal, standard	
1183144	<b>80,10 (4)</b>
Lid seal, Viton,	
1183152	<b>7,00 (4)</b>
O-ring for blind plug	
1183235	<b>113,10 (4)</b>
Ascending pipe	
1183269	<b>25,00 (4)</b>
Counter nut for ascending pipe, stainless steel	
1183277	<b>162,10 (4)</b>
Material extraction ball valve, complete, G 1/2" male thread	
1183285	<b>6,40 (4)</b>
O-ring for ascending pipe	
1183293	<b>26,40 (4)</b>
Blind plug for lid, stainless steel	
1183300	<b>6,40 (4)</b>
O-ring for blind plug	
1183318	<b>25,00 (4)</b>
Counter nut for blind plug, stainless steel	
1183326	<b>141,70 (4)</b>
Parts kit for bottom material outlet, G 1" (female thread)	
1183342	<b>139,60 (4)</b>
Ball tap for bottom material outlet G 1" (female thread)	
1183350	<b>192,70 (4)</b>
Manual agitator	
1183368	<b>1.570,80 (4)</b>
Pneumatic agitator with gearing, oil-free and protected against explosion hazard	
1183376	<b>1.683,00 (4)</b>
Electric agitator with gearing, protected against explosion hazard	
1183467	<b>95,40 (4)</b>
Agitator blade, stainless steel, Ø 125 mm	
1191254	<b>45,80 (4)</b>
Individual handle	



All prices are recommended list prices. Errors, technical modifications and printing errors reserved.

SPRAY GUNS

CUP SYSTEMS

BREATHING PROTECTION

FILTER TECHNOLOGY







ADDITIONAL PRODUCTS



MERCHANDISING ITEMS

# SATA material pressure tank 45



<b>Technical Data</b>	<b>45 l</b>
Air connection thread	1/4" (male thread)
Material connection thread	1/2" (male thread)
Max. operating pressure	6,0 bar
Material container	Stainless steel version
Material lid	Stainless steel version
Material suction tube	Stainless steel version
Fluid group	1

MPT 45	Consisting of:					
						
	Single pressure reducer	Double pressure reducer	Hand agitator	Compressed air agitator with gear drive	Motor driven agitator with gear drive	EURO
1182998	X					<b>3.498,00 (5)</b>
1183003		X				<b>3.589,00 (5)</b>
1183011	X		X			<b>3.712,00 (5)</b>
1183029		X	X			<b>3.804,00 (5)</b>
1183037	X			X		<b>4.895,00 (5)</b>
1183045		X		X		<b>4.987,00 (5)</b>
1183053	X				X	<b>4.997,00 (5)</b>
1183061		X			X	<b>5.089,00 (5)</b>

Accessories	EURO	
1183425 Parts kit for undercarriage for SATA MPT 22 and 45	<b>337,60 (4)</b>	
1183459 Insert bucket, stainless steel for SATA MPT 45	<b>427,40 (4)</b>	

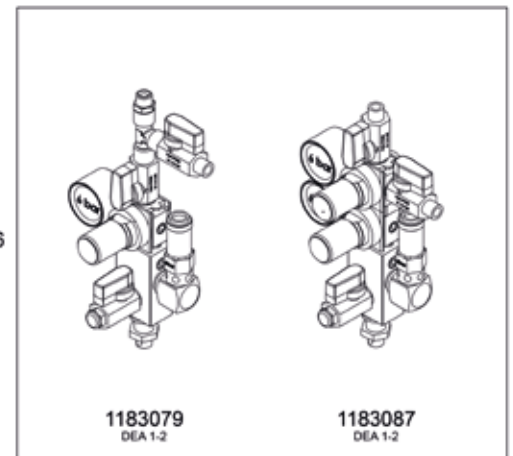
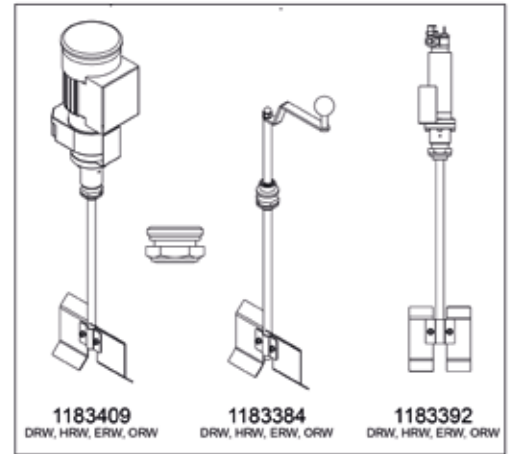
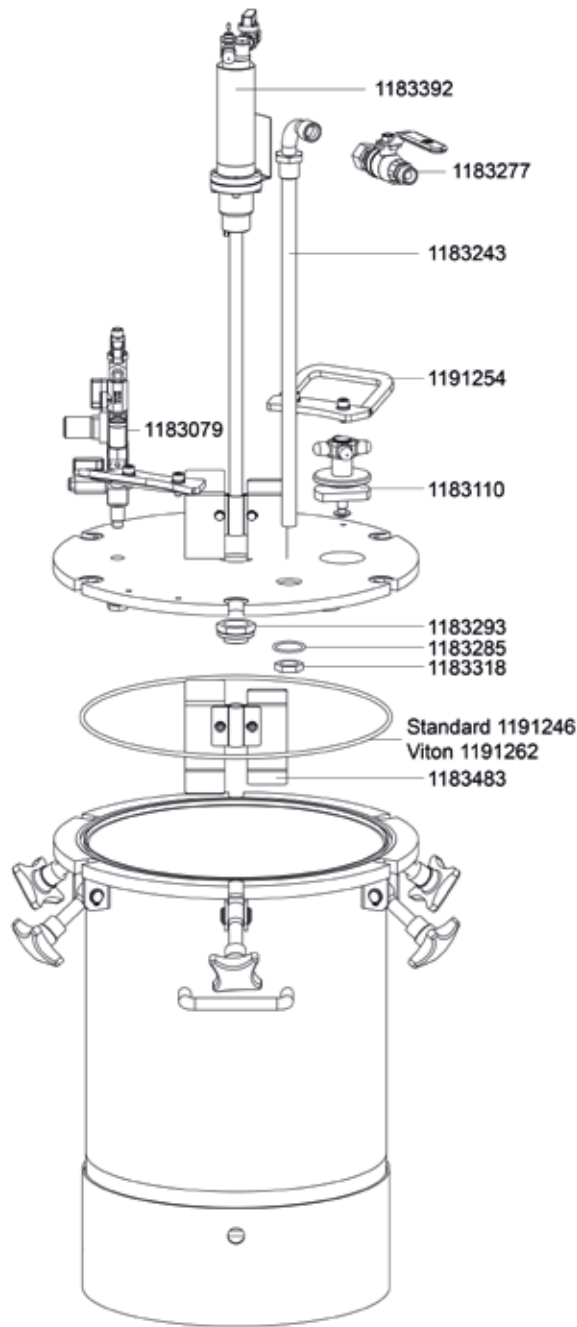
SPRAY GUNS  
 CUP SYSTEMS  
 BREATHING PROTECTION  
 FILTER TECHNOLOGY  
 ADDITIONAL PRODUCTS  
 MERCHANDISING ITEMS

Spare parts

SATA material

pressure tank 45 EURO

1183079	276,30 (4)
Compressed air inlet fitting, single regulator complete with tee and ball valve 1/4"	
1183087	386,60 (4)
Compressed air inlet fitting with second regulator, container connection made of stainless steel	
1183095	447,80 (4)
Compressed air inlet fitting with pressure regulator, container connection made of stainless steel, air inlet including tee with ball valve 1/4"	
1183102	142,70 (4)
Material distribution block, stainless steel, for connecting 2 material extraction valves	
1183110	311,10 (4)
Intake closure, nominal width 55, stainless steel version	
1183128	8,20 (4)
O-ring for intake closure	
1183152	7,00 (4)
O-ring for blind plug	
1183243	136,60 (4)
Ascending pipe	
1183269	25,00 (4)
Counter nut for ascending pipe, stainless steel	
1183285	6,40 (4)
O-ring for ascending pipe	
1183293	26,40 (4)
Blind plug for lid, stainless steel	
1183300	6,40 (4)
O-ring for blind plug	
1183318	25,00 (4)
Counter nut for blind plug, stainless steel	
1183334	154,90 (4)
Elbow fitting, drain pipe, for bottom material outlet MDB 45 G 1" (female thread)	
1183342	139,60 (4)
Ball tap for bottom material outlet G 1" (female thread)	
1183384	241,60 (4)
Manual agitator	
1183392	1.581,00 (4)
Pneumatic agitator with gearing, oil-free and protected against explosion hazard	
1183409	1.693,20 (4)
Electric agitator with gearing, protected against explosion hazard	
1183483	101,90 (4)
Agitator blade, stainless steel, Ø 186 mm	
1191246	134,50 (4)
Lid seal	
1191254	45,80 (4)
Individual handle	
1191262	81,70 (4)
Lid seal, Viton	



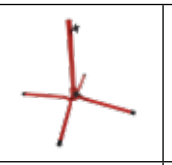
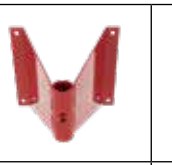
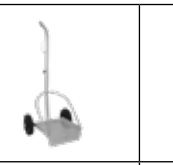
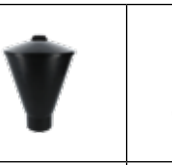




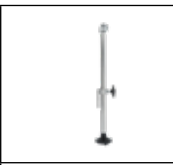
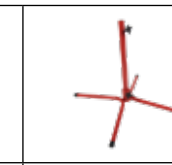
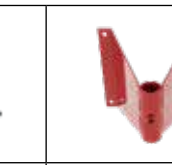
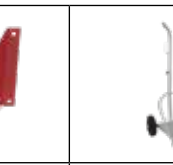
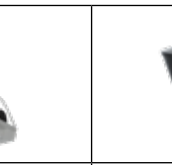


# SATA vario top spray

<b>Technical Data</b>	<b>SATA vario top spray</b>
Max. material outlet pressure	8,0 bar
Pump ratio	1:1
Max. volumetric delivery	32 l/min
Conveyed volume per double stroke	170 cm <sup>3</sup>
Min. air inlet pressure	1,0 bar
Max. inlet air pressure	8,0 bar
Weight	6 kg; 12 kg



Available versions	Consisting of:						
							EURO
Suction tube	Stand	Wall holder	Trolley	Gravity flow container	Second gun connection		
81661	X	X					<b>3.401,00 (5)</b>
61507	X		X				<b>3.404,00 (5)</b>
61515	X			X			<b>3.792,00 (5)</b>
138941				X	X		<b>4.035,00 (5)</b>
62745	X			X	X		<b>4.294,00 (5)</b>
63974	X			X		X	<b>4.045,00 (5)</b>

Versions – pump and material passages made of stainless steel	Consisting of:					
						EURO
Suction tube	Stand	Wall holder	Trolley	Gravity flow container		
81406	X	X				<b>4.256,00 (5)</b>
72678	X		X			<b>4.261,00 (5)</b>
72694	X			X		<b>4.648,00 (5)</b>
138958				X	X	<b>4.888,00 (5)</b>
95109	X			X	X	<b>5.149,00 (5)</b>

SPRAY GUNS  
 CUP SYSTEMS  
 BREATHING PROTECTION  
 FILTER TECHNOLOGY  
 ADDITIONAL PRODUCTS  
 MERCHANDISING ITEMS

**Spare parts**  
**SATA vario top**  
**spray** EURO

149716	<b>183,20 (4)</b>
Gravity flow cup 6 l with lid	
149732	<b>70,50 (4)</b>
Container stud	
149740	<b>11,00 (4)</b>
Gasket for gravity container	
149948	<b>24,60 (4)</b>
Flat sieve 20 mesh (packing unit 2 pieces)	
156026	<b>38,80 (4)</b>
Pressure gauge 0 - 6 bar, 50 mm, G 1/4	
17483	<b>473,30 (4)</b>
Trolley, cpl.	
19158	<b>39,60 (4)</b>
Pressure gauge 0 - 10 bar, 50 mm	
19851	<b>20,30 (4)</b>
Sieve hose (packing unit 10 pieces)	
23986	<b>197,30 (4)</b>
Air connection for second spray gun, cpl.	
24240	<b>180,20 (4)</b>
Single pressure regulator, cpl. with pressure gauge 0 - 10 bar	
29918	<b>12,20 (4)</b>
Circlip for suction globe Spray-Mix, Vario-Top-Spray and Multi-Top	
74187	<b>92,80 (4)</b>
Suction globe, cpl. version for waterborne materials	
81604	<b>9,70 (4)</b>
Wing-shaped handle for stand, SATA pumps and dry-jet	
82107	<b>334,70 (4)</b>
Double pressure reducer, cpl. with pressure gauge 0 - 10 bar	

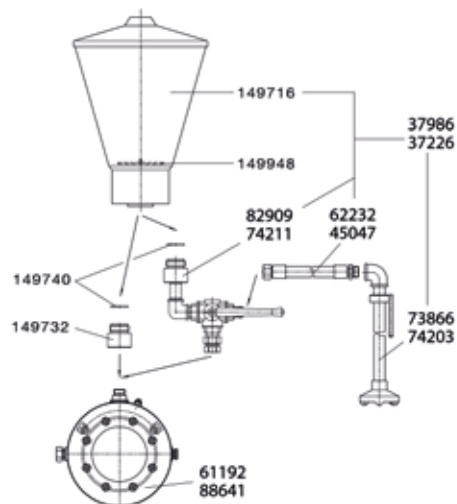
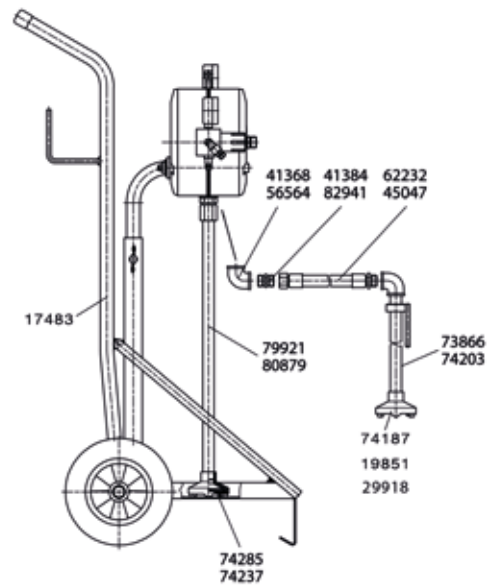
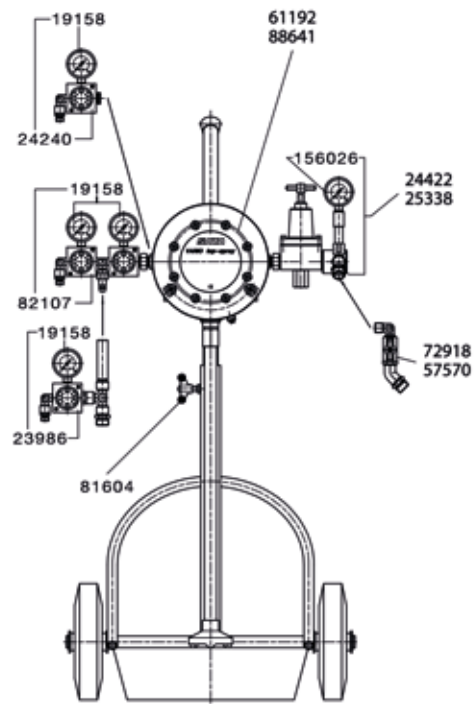
**Standard version**  
**SATA vario top**  
**spray** EURO

24422	<b>872,90 (4)</b>
Material fine pressure regulator, cpl.	
37986	<b>985,20 (5)</b>
Add-on kit gravity container PVC 6 l, cpl. with 3-way ball valve and holder	
41368	<b>7,20 (4)</b>
Angle G 1/2" (female thread), galvanised	
41384	<b>10,70 (4)</b>
Threaded nipple 1/2" (male thread), galvanised	
61192	<b>1.699,00 (5)</b>
Double diaphragm pump 1:1, coated version, material connection M 25 x 1.5, male thread, air inlet 1/4" (male thread), grounding cable	
62232	<b>95,40 (4)</b>
Suction hose, cpl.	
72918	<b>78,30 (4)</b>
Material connection for second spray gun, cpl. for material fine pressure regulator	
73866	<b>219,80 (4)</b>
Suction pipe, cpl. with suction globe and sieve insert	
74237	<b>27,50 (4)</b>
Sieve unit, mesh size 0.5, f. SATA VARIO top-spray, f. water borne paints	
74245	<b>24,60 (4)</b>
Sieve unit, mesh size 1.0, f. SATA VARIO top-spray, f. water borne paints	
79921	<b>154,90 (4)</b>
Suction pipe, cpl. with suction globe and sieve insert	
82909	<b>344,40 (4)</b>
Conversion set for gravity container SATA Top-Spray	

**Stainless steel version**  
**SATA vario top**  
**spray** EURO

25338	<b>1.246,10 (5)</b>
Material fine pressure regulator, cpl., stainless steel	
37226	<b>1.399,60 (5)</b>
Add-on kit gravity container PVC 6 l version for waterborne paint, cpl. with 3-way ball valve and holder	
45047	<b>165,90 (5)</b>
Suction hose, cpl., connections stainless steel	
56564	<b>33,60 (5)</b>
Angle 90°, stainless steel	

57570	<b>266,30 (5)</b>
Material connection for second spray gun, stainless steel, cpl. for material fine pressure regulator	
74203	<b>243,40 (5)</b>
Suction pipe, cpl. stainless steel	
74211	<b>726,30 (5)</b>
Conversion kit for gravity flow container SATA VARIO top-spray, f. water borne paints	
80879	<b>177,60 (5)</b>
Suction pipe, cpl. stainless steel	
82941	<b>35,60 (5)</b>
Double nipple 1/2" male thread, stainless steel	
88641	<b>2.348,00 (5)</b>
Double diaphragm pump 1:1, stainless steel, material connection M 25 x 1.5 male thread, air inlet 1/4" (male thread), with grounding cable	



All prices are recommended list prices. Errors, technical modifications and printing errors reserved.

SPRAY GUNS

CUP SYSTEMS

BREATHING PROTECTION

FILTER TECHNOLOGY

ADDITIONAL PRODUCTS

MERCHANDISING ITEMS

Spare parts

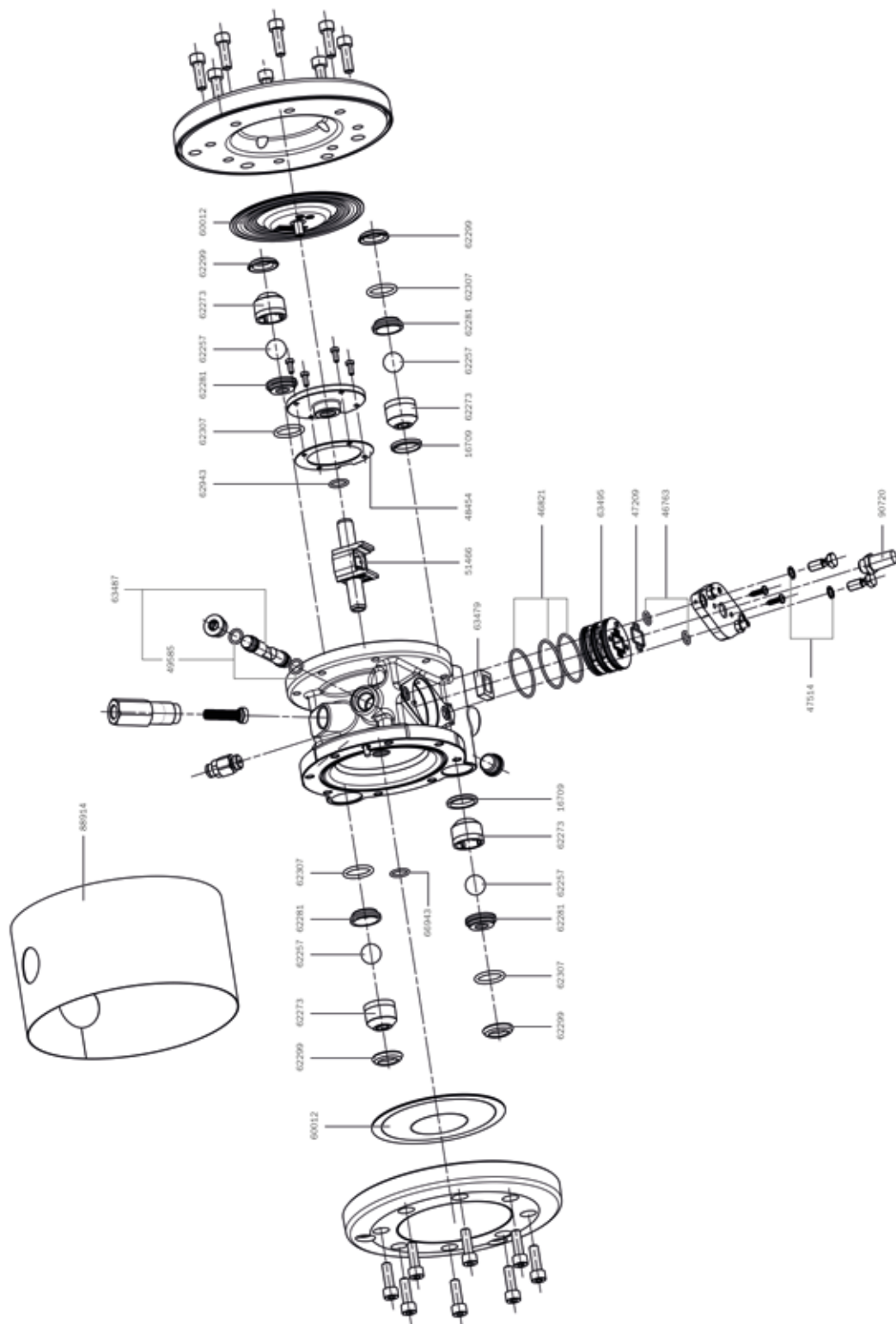
**SATA vario top**

spray	EURO
45195	<b>159,60 (4)</b>
Sealing kit	
60012	<b>297,70 (4)</b>
Repair kit diaphragm (packing unit 2 pieces)	
60038	<b>317,80 (4)</b>
Repair kit control	
60228	<b>196,70 (4)</b>
Repair kit valves	
60301	<b>92,70 (4)</b>
Repair kit for carrier rod	
60657	<b>97,50 (4)</b>
Repair kit carrier	

**Components of the seal and repair kits**

**SATA vario top**

spray	EURO
16709	<b>12,20 (4)</b>
Gasket	
46763	<b>3,60 (4)</b>
O-ring	
46821	<b>4,10 (4)</b>
O-ring	
47092	<b>4,40 (4)</b>
O-ring	
47209	<b>23,30 (4)</b>
Shape seal for double diaphragm pump Top-Spray	
47514	<b>4,10 (4)</b>
Sealing ring	
48454	<b>7,70 (4)</b>
Flat seal D 72 x T 1 for double diaphragm pump Top-Spray	
49585	<b>3,60 (4)</b>
O-Ring 10 x 2 mm, made from Perbunan 70 shore for silencer SATA breathing mask (No. 80-4130)	
51466	<b>122,80 (4)</b>
Driving pin for double diaphragm pump Top-Spray	
62257	<b>23,10 (4)</b>
Ball	
62273	<b>20,10 (4)</b>
Ball-bearing for Vario-Top-Spray double diaphragm pump	
62281	<b>36,70 (4)</b>
Valve seat D12 short for Vario-Top- Spray double diaphragm pump	
62299	<b>10,60 (4)</b>
Profile packing 17,2 x 28,2 x 5,4 for double diaphragm pump Vario-Top- Spray	
62307	<b>9,70 (4)</b>
O-ring	
62943	<b>4,10 (4)</b>
O-ring	
63479	<b>46,90 (4)</b>
Flat valve 24 x 19 mm, for SATA Top- Spray double diaphragm pump	
63487	<b>38,80 (4)</b>
Carrier rod D 13, 9L, for SATA Vario Top-Spray double diaphragm pump, complete with O ring 10,82 x 1,78	
63495	<b>184,70 (4)</b>
Valve seat D 48 mm for SATA Vario- Top-Spray double diaphragm pump	
90720	<b>9,10 (4)</b>
Silencer	



SPRAY GUNS

CUP SYSTEMS

BREATHING PROTECTION

FILTER TECHNOLOGY

ADDITIONAL PRODUCTS

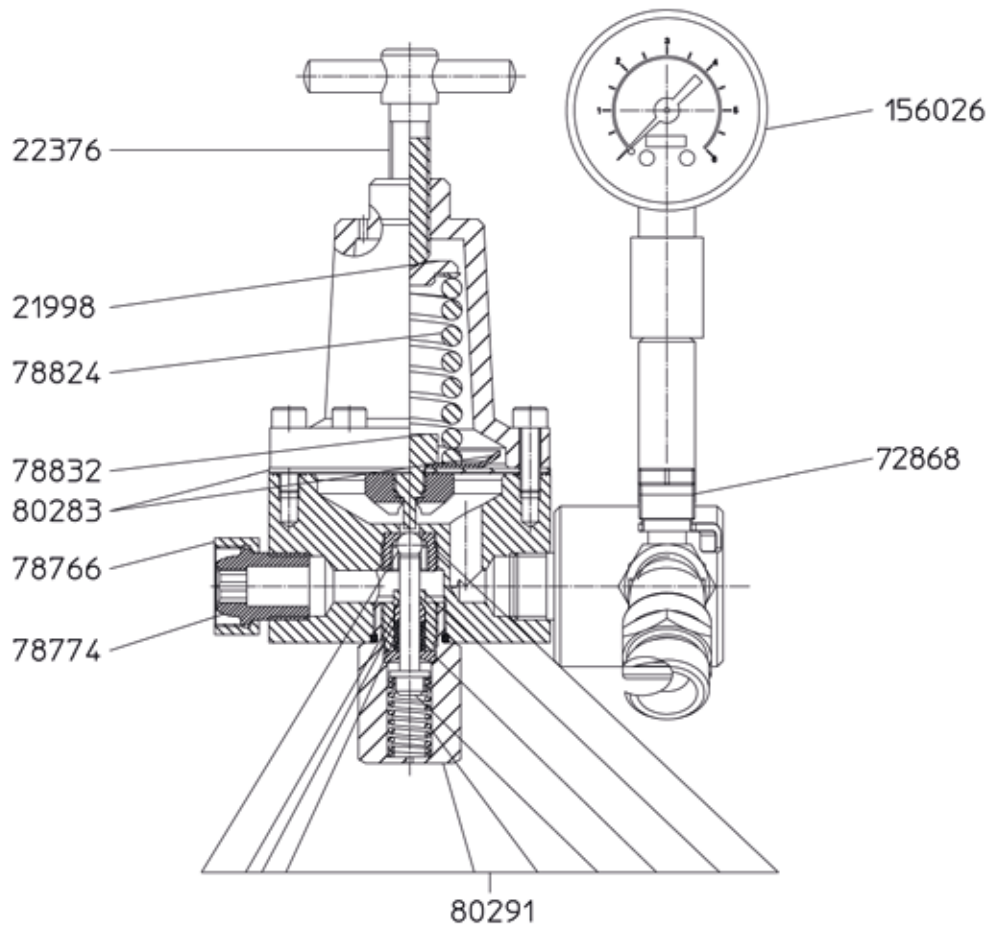
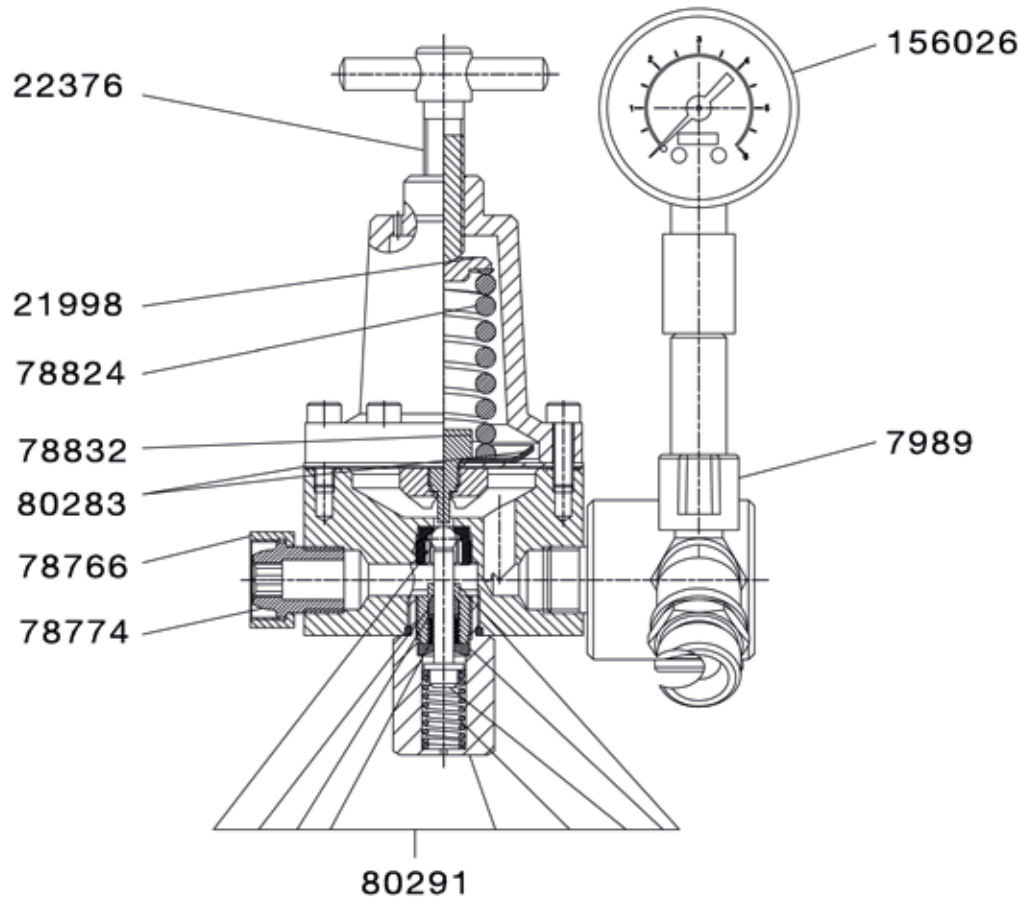
MERCHANDISING ITEMS





Spare parts

Material fine pres-  
sure regulator

	EURO
149740	11,00 (4)
Gasket for gravity container	
149948	24,60 (4)
Flat sieve 20 mesh (packing unit 2 pieces)	
156026	38,80 (4)
Pressure gauge 0 - 6 bar, 50 mm, G 1/4	
21998	14,30 (3)
Pressure plate	
22376	21,50 (3)
Compression screw	
29918	12,20 (4)
Circlip for suction globe Spray-Mix, Vario-Top-Spray and Multi-Top	
78766	10,10 (4)
Sleeve nut for ball valve	
78774	26,90 (4)
Insert part for material fine pressure regulator SATA vario top spray	
78824	20,20 (4)
Pressure spring for material fine pressure regulator SATA vario top spray	
78832	23,70 (4)
Tappet for material fine pressure reducer Vario-Top-Spray	
7989	61,50 (3)
Ball tap (Teflon) G 3/8" (female thread)	
80283	79,20 (4)
Diaphragm	
80291	131,80 (4)
Plunger kit, cpl.,	



## Rustproofing equipment

SATA HRS		EURO
24018	SATA HRS complete pressurised cup gun with 1.0 l cup (max. 10 bar), without material flow control with nylon wand 16105 and hook wand 24372	<b>300,00 (5)</b>
		
9795	SATA HRS pressurised cup gun with 1.0 l cup (max. 10 bar), without material flow control, flexible nylon and hook wand (16113 and 16139) as well as fix door wand (16071)	<b>390,00 (5)</b>
12658	SATA HRS pressurised cup gun with 1.0 l cup (max. 10 bar), material flow control, without wands	<b>257,00 (5)</b>
11072	SATA HRS pressurised cup gun with 1.0 l cup (max. 10 bar), without material flow control, without wands	<b>244,00 (5)</b>
SATA HRS E		EURO
172882	SATA HRS-E pressurised cup spray gun with 1.5 l cup (max. 10 bar), for cavity preservation and underbody protection from disposable containers, with material flow control, round spray nozzle 25486, hook wand 16139 and nylon wand 11874	<b>475,00 (5)</b>
		
207290	SATA HRS E pressurised cup spray gun with 1.5 l cup (max. 10 bar) for cavity preservation and underbody protection from disposable containers, with material flow control, hook wand 16139 and nylon wand 16113 as well as round spray nozzle	<b>475,00 (5)</b>
77347	SATA HRS-E with 1.5 l pressurized cup (max. 10 bar), with material flow control, without wands	<b>374,00 (5)</b>
Door wand		EURO
196832	Door wand, steel 150 mm work length, Ø 8 mm, with rotary nozzle 360° rotary fan and spraying forward, with flexible guideway hose 1000 mm	<b>101,00 (5)</b>
16071	Door wand, steel 1100 mm long, Ø 8 mm, with rotary nozzle 360° and spraying forward	<b>72,70 (5)</b>
1137258	Rigid door wand, steel, 1200 mm long, Ø 8 mm, with radial nozzle 360°, radial and straight jet	<b>112,50 (5)</b>
1137266	Rigid door wand, steel, 1500 mm long, Ø 8 mm, with radial nozzle 360°, radial and straight jet	<b>122,00 (5)</b>
1158452	Door wand, steel 2000 mm long, Ø 8 mm, with rotary nozzle 360° and spraying forward	<b>137,80 (5)</b>
Nylon wand		EURO
16105	Nylon wand, flexible, 1500 mm long, Ø 6 mm, with rotary nozzle 360°	<b>45,70 (5)</b>
11874	Nylon wand, flexible, 1500 mm long, Ø 6 mm, with rotary nozzle 360°, diagonally spraying forward and backward	<b>47,30 (5)</b>
51185	Nylon wand, semi rigid 1500 mm long, Ø 6 mm, with rotary spray nozzle 360° and spraying diagonal forward and backward	<b>49,10 (5)</b>

<b>Nylon wand</b>		EURO
16113	Nylon wand, flexible, 1300 mm long, Ø 8 mm, with rotary nozzle 360° rotary fan and spraying forward	<b>45,70 (5)</b>
1058826	Nylon wand, flexible 3000 mm long, Ø 8 mm, with rotary nozzle 360° and spraying forward	<b>80,80 (5)</b>
<b>Hook wand</b>		EURO
11866	Venturi hook wand Ø 5 mm, with flexible guide hose, Venturi spray tube for cavity and surface application	<b>49,80 (5)</b>
24372	Hook wand Ø 5mm, with flexible guide hose, hook flat nozzle, for cavity and surface application	<b>43,70 (5)</b>
206904	Venturi hook wand Ø 5 mm, hook nozzle cpl. in 300 mm length, with flexible guide hose, Venturi spray tube, for cavity and surface application	<b>70,40 (5)</b>
16139	Venturi hook wand, Ø 7 mm, with flexible guiding hose, Venturi spray tube for cavity and surface application	<b>77,30 (5)</b>
<b>Round spray nozzle</b>		EURO
198762	Round spray nozzle for surface application with flexible guide hose for underbody protection	<b>90,20 (5)</b>
25486	Round spray nozzle for HRS, conn. I	<b>14,70 (4)</b>
<b>Coupling and connection</b>		EURO
16048	SATA quick coupling nipple 1/4" (male thread) for wands	<b>9,10 (4)</b>
8359	Free passage type quick coupling for HKD1, LM/KK, HRS , connection I	<b>29,00 (4)</b>
<b>Barrel pump unit for cavity preservation</b>		EURO
14555	SATA HKU 60 l barrel pump unit cpl., consisting of piston pump 1:3, with hose pair 10 m, SATAjet 1000 KK spray gun, nylon, door and hook wand	<b>2.617,00 (5)</b>
34389	SATA HKU 200 l barrel pump unit, cpl., consisting of piston pump 1:3 with hose pair 10 m, SATAjet 1000 KK spray gun, nylon, door and hook wand	<b>2.655,00 (5)</b>
153700	SATAjet 1000 KK RP nozzle 1.5 with paint tube, 1/4" (male thread) with coupling (Art.-No. 8359)	<b>554,00 (1)</b>





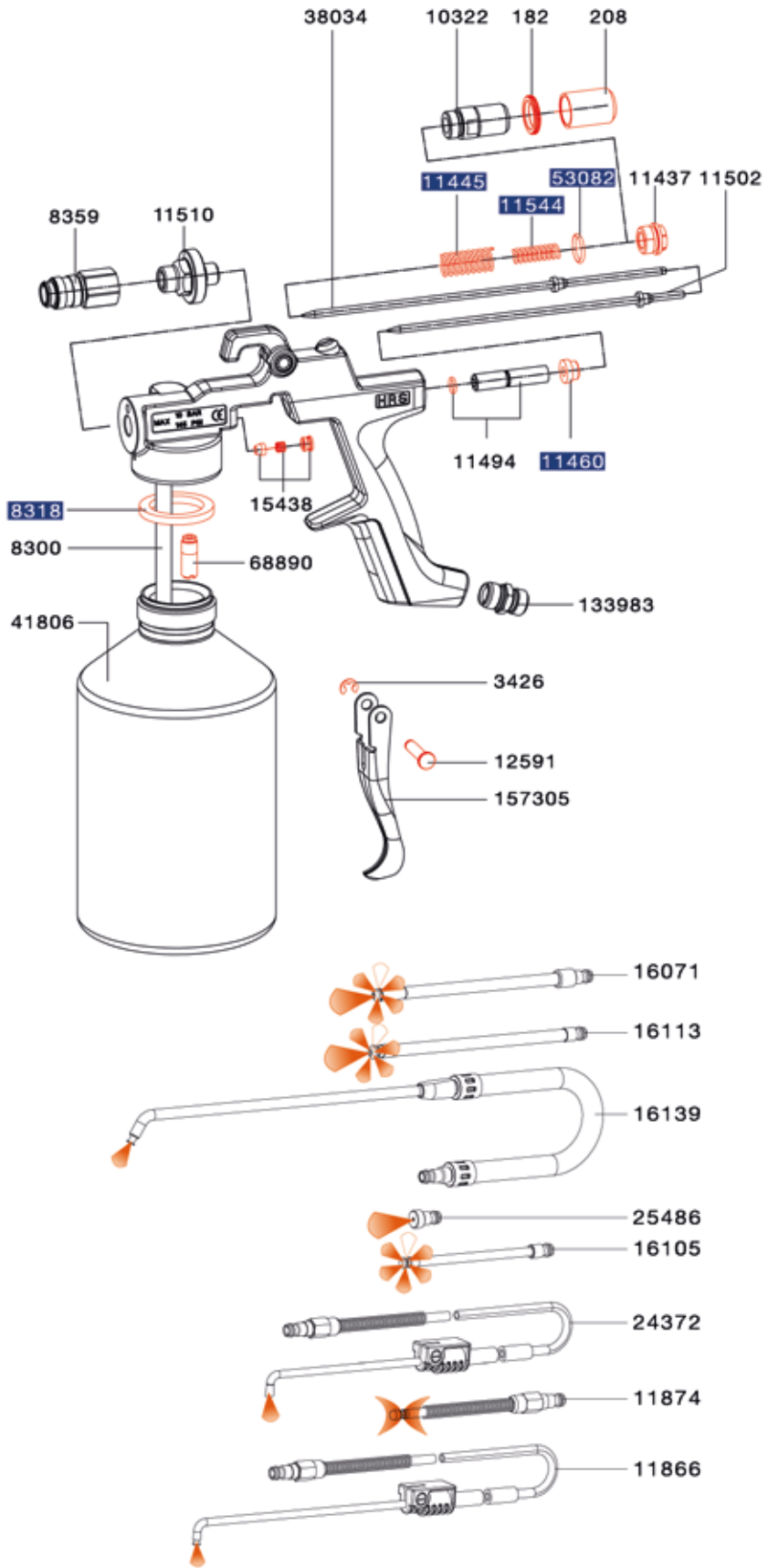
SPRAY GUNS  
CUP SYSTEMS  
BREATHING PROTECTION  
FILTER TECHNOLOGY  
ADDITIONAL PRODUCTS  
MERCHANDISING ITEMS

<b>Barrel pump unit for underbody protection</b>		EURO
1214874	SATA spray mix underbody protection system 1:22, hose pair 10 m, SATAjet K 1800 spray mix spray gun nozzle 3350, for 60/200 litre tank	<b>4.626,00 (5)</b>
128561	SATA spray mix underbody protection system 1:22, hose pair 10 m, SATAjet 3000 K spray mix gun nozzle 3350, for 60/200 ltr. barrel	<b>4.641,00 (5)</b>
<b>Blow Guns / Nozzles</b>		EURO
133306	SATA turbo blow with quick coupling nipple (blow gun)	<b>31,20 (1)</b>
77586	Special low noise nozzle for SATA blow gun 15180 (blow gun)	<b>23,70 (3)</b>
26047	Metal-multi-nozzle M 14x1 for SATA blow gun 15214 (blow gun)	<b>38,20 (3)</b>
26070	Standard nozzle for SATA blow gun 15156 (blow gun)	<b>8,80 (3)</b>



**Spare parts**

SATA HRS	EURO
10322	20,10 (4)
Guide sleeve complete, for HRS with material flow control	
11437	6,20 (3)
Closing screw	
11445	3,50 (3)
Pressure spring for air piston	
11460	7,00 (3)
Air piston	
11494	11,70 (4)
Cam rod HRS, complete with O-ring	
11502	23,40 (4)
Paint needle 1.5	
11510	52,40 (4)
Mixing cap HRS, completely machined	
11544	3,50 (4)
Pressure spring for paint needle	
12591	7,20 (3)
Bracket bolt	
133983	13,40 (3)
Air connection piece 1/4" male thread	
15438	18,60 (3)
Paint needle packing	
157305	14,10 (3)
Trigger	
182	5,70 (3)
Counter nut	
208	8,70 (3)
Material flow control nut	
3426	3,00 (3)
Safety washer 4 mm DIN 6799 stainless steel for trigger	
38034	25,50 (4)
Paint needle, cpl., for HRS, with needle stroke and minimum passage control	
41806	87,50 (4)
1.0 l aluminium pressure pot, max. pressure 10 bar/150 psi, cpl. with threaded ring	
53082	3,50 (3)
O-ring	
68890	23,00 (4)
Inflow valve	
8300	12,10 (4)
Suction pipe	
8318	6,10 (4)
Sealing ring	
8359	29,00 (4)
Free passage type quick coupling for HKD1, LM/KK, HRS , connection I	












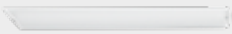




Repair kit	EURO
9779 Repair kit SATA HRS until 2009	74,20 (4)
161158 Repair kit SATA HRS as of 2010	70,10 (4)
35204 Wear-and-tear parts kit for HRS	28,90 (5)

# SATA clean RCS

Technical Data	SATA clean RCS
Width	31 cm
Height	70,5 cm
Depth	22,5 cm
Weight	10 kg
Max. inlet air pressure	8,0 bar
Air consumption	135 NI/min
Air connection thread	1/2" (male thread) + G1/4" (female thread)
Place of installation	inside the spray booth








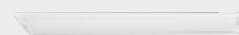

SATA clean RCS	EURO	
145581 SATA clean RCS - the turbo cleaner	<b>1.507,00 (5)</b>	
<b>Recommended connection accessories (depending on the installation method)</b>		
EURO		
10934 Ball tap (Teflon) 1/2" male thread for air inlet SATA filter series 100, 300, 400, 500 and cleaning devices	<b>100,70 (3)</b>	
13581 SATA quick coupling G 3/8" (female thread)	<b>21,30 (1)</b>	
13623 SATA quick coupling 1/4" (male thread)	<b>22,40 (1)</b>	
13870 SATA air hose, blue, 9mm, 1.2 m with quick coupling, red and nipple	<b>56,70 (4)</b>	
146514 SATA air hose, blue, 13 mm, 0.5 m, G 1/2" (female thread), one connection included for SATA clean RCS	<b>81,90 (4)</b>	
192633 Add-on kit: Suction hose for solvent vapours for SATA clean RCS compact / micro	<b>58,90 (4)</b>	
53090 SATA air hose, blue, 9mm, 10 m with quick coupling, red and nipple	<b>151,20 (4)</b>	
<b>Other accessories/spare parts</b>		
EURO		
146985 Repair kit SATA clean RCS / compact / micro	<b>26,10 (4)</b>	
146993 Splash guard with fixing rivet (each 5 pieces) for SATA clean RCS / compact / micro	<b>31,50 (4)</b>	
147082 Grounding cable, 3 m, 4 mm²	<b>23,00 (4)</b>	

Other accessories/spare parts	EURO	
153965 Hose, transparent, 8 x 1, 95 mm, for spray guns with adapter (packing unit 2 pieces) for SATA RCS cleaning devices	<b>2,70 (4)</b>	
189472 Conversion kit external cleaning agent - suction and recirculation for SATA clean RCS / compact / micro	<b>21,30 (4)</b>	
192195 SATA universal spray gun and hose holder for all SATA spray guns	<b>55,00 (3)</b>	
53942 Nipple G 1/4 f. GS respirator, UBE + blow-off gun, size 14	<b>9,00 (1)</b>	
9886 SATA gravity gun holder for gravity cup spray guns	<b>27,00 (3)</b>	
6981 SATA quick coupling nipple G 1/4" (female thread) (packing unit 5 pieces)	<b>44,70 (1)</b>	
1188912 SATA quick coupling nipple G 1/4" (female thread) (pack of 2 pieces)	<b>19,00 (1)</b>	

# SATA clean RCS compact / micro

Technical Data	SATA clean RCS compact	SATA clean RCS micro
Width	31 cm	18,5 cm
Height	46,5 cm	46,5 cm
Depth	22,5 cm	20,5 cm
Weight	7 kg	4 kg
Max. inlet air pressure	4,0 bar	4,0 bar
Air consumption	135 NI/min	135 NI/min
Air connection thread	1/4" (male thread)	1/4" (male thread)
Place of installation	outside the spray booth	outside the spray booth



Available versions	EURO	
192518 SATA clean RCS compact	<b>1.053,00 (5)</b>	
202564 SATA clean RCS micro	<b>703,00 (5)</b>	
Recommended connection accessories (depending on the installation method)	EURO	
13870 SATA air hose, blue, 9mm, 1.2 m with quick coupling, red and nipple	<b>56,70 (4)</b>	
192633 Add-on kit: Suction hose for solvent vapours for SATA clean RCS compact / micro	<b>58,90 (4)</b>	
53090 SATA air hose, blue, 9mm, 10 m with quick coupling, red and nipple	<b>151,20 (4)</b>	
Other accessories/spare parts	EURO	
146985 Repair kit SATA clean RCS / compact / micro	<b>26,10 (4)</b>	
146993 Splash guard with fixing rivet (each 5 pieces) for SATA clean RCS / compact / micro	<b>31,50 (4)</b>	
147082 Grounding cable, 3 m, 4 mm <sup>2</sup>	<b>23,00 (4)</b>	
153965 Hose, transparent, 8 x 1, 95 mm, for spray guns with adapter (packing unit 2 pieces) for SATA RCS cleaning devices	<b>2,70 (4)</b>	
189472 Conversion kit external cleaning agent - suction and recirculation for SATA clean RCS / compact / micro	<b>21,30 (4)</b>	
6981 SATA quick coupling nipple G 1/4" (female thread) (packing unit 5 pieces)	<b>44,70 (1)</b>	
1188912 SATA quick coupling nipple G 1/4" (female thread) (pack of 2 pieces)	<b>19,00 (1)</b>	

# SATA multi clean 2

Technical Data	SATA multi clean 2
Width	66 cm
Height	100 cm
Depth	38 cm
Weight	30 kg
Max. inlet air pressure	6,0 bar
Air consumption	270 NI/min
Air connection thread	G 1/4" (female thread)
Place of installation	outside the spray booth



SATA multi clean 2	EURO
38257	<b>3.827,00 (5)</b>
SATA multi clean 2 spray gun washing machine with exhaust, 2 fluid containers, trolley, spare filter mat, quick coupling nipple for air connection	
Spare parts and accessories	EURO
21188	<b>154,00 (4)</b>
Pressure reducer with gauge 0 - 10 bar for SATA multi-clean 2	
26815	<b>241,00 (4)</b>
Flexible aluminium tube, 5 m long, complete with two tube fittings, for suction unit SATA multi-clean-2	
38042	<b>23,70 (4)</b>
Filter mat for SATA multi clean 2	
40840	<b>45,60 (4)</b>
Cup lid holding for SATA multi clean 2	
40907	<b>26,10 (4)</b>
Spring clasp (packing unit 3 pieces) for SATA multi clean 2	
48330	<b>88,10 (4)</b>
Blow cycle knob with valve, cpl. for SATA multi clean 2	
49072	<b>20,40 (4)</b>
Cleaning agent container with lid for SATA multi clean 2	



# SATA trueSun

<b>Technical Data</b>	<b>SATA trueSun</b>
Net weight	0,47 kg
CRI value	97
Light Intensity	22000 lx
Operating time	70 min
Charging cycle	50 min



## Available versions

EURO

1006411  
SATA trueSun, incl. battery charger and battery, EU

**804,00 (5)**

1013094  
Storage Case SATA trueSun, incl. foam inlay

**62,80 (5)**

1013151  
Foam inlay with pinched inlay for storage case SATA trueSun

**32,00 (5)**

1007154  
Battery charger EU for SATA trueSun

**126,70 (5)**

**Spare parts**

<b>SATA trueSun</b>	<b>EURO</b>
1010082	<b>163,10 (5)</b>
<b>Battery</b>	
1012096	<b>21,50 (5)</b>
<b>Shock protection</b>	
1012137	<b>24,80 (5)</b>
Protective glass If protective foil is on the glass, please remove before using!	



# SATA dry jet 2

<b>Technical Data</b>	<b>SATA dry jet 2</b>
Weight	0,432 kg
Air consumption	270 NI/min
Recommended air inlet pressure	2,5 bar
Max. operating pressure	10,0 bar



## Available versions

217489  
SATA dry jet 2 blow gun

EURO

**270,00 (1)**



## SATA dry jet stand (adjustable height: 30 - 190 cm)

223008  
SATA dry jet 2 stand with height-adjustable bracket, 2 blow guns

EURO

**982,00 (5)**

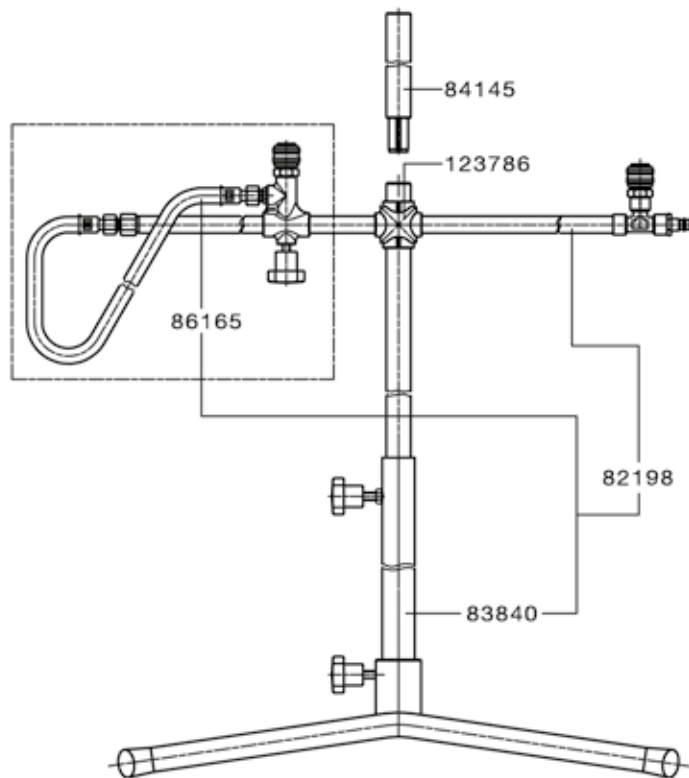
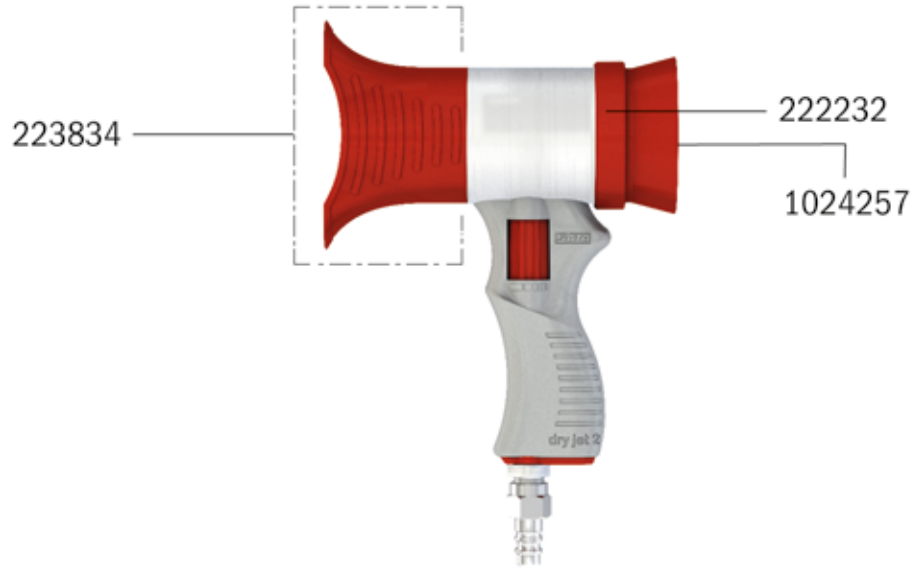


84145  
Height extension approx. 120 cm, stainless steel for SATA dry jet stand

**130,50 (5)**

**Spare parts**

SATA dry jet 2	EURO
1024257	19,40 (3)
Spare flat sieve 200 µm, pastel green (packing unit 10 pieces)	
123786	62,60 (3)
Cross piece, cpl. for dry-jet 2	
222232	41,50 (3)
Filter holder	
223834	46,20 (3)
Flat fan nozzle	
82198	637,00 (5)
Stand for SATA dry jet without blow guns	
83840	218,50 (4)
Stand, complete, for Vario-Top-Spray and dry-jet, can be disassembled	
84145	130,50 (5)
Height extension approx. 120 cm, stainless steel	
86165	122,00 (5)
Conversion kit for SATA dry jet, adjustable version	






## SATA hoses

<b>Breathing air hoses, complete</b>		EURO
49080	SATA Safety compressed air supply hose Ø 10 mm, 6 m long, for SATA breathing protection systems	<b>354,60 (4)</b>
176792	SATA safety compressed air supply hose Ø 10mm, 10 m long for SATA breathing protection systems	<b>487,70 (4)</b>
180851	SATA safety compressed air supply hose Ø 10mm, 40 m long for SATA breathing protection systems	<b>1.372,00 (4)</b>
<b>Air hoses, complete</b>		EURO
37655	SATA air hose, blue, 9 mm, 6 m with quick coupling, red and nipple	<b>122,90 (4)</b>
195420	SATA air hose, blue, 9 mm, 7.5 m with quick coupling, red and nipple	<b>133,80 (4)</b>
53090	SATA air hose, blue, 9mm, 10 m with quick coupling, red and nipple	<b>151,20 (4)</b>
189068	SATA air hose, blue, 9 mm, 15 m with quick coupling, red and nipple	<b>186,80 (4)</b>
9902	SATA air hose, blue, 9 mm, 10 m long, G 1/4" (female thread)	<b>118,50 (4)</b>
51300	SATA air hose, blue, 13 mm, 10 m long, G 1/2" (female thread) for SATA vario top spray and FDG with 2. spray gun outlet	<b>226,70 (4)</b>
4754	SATA air hose, 6 mm, 10 m long with quick coupling and nipple	<b>136,60 (4)</b>
13870	SATA air hose, blue, 9mm, 1.2 m with quick coupling, red and nipple	<b>56,70 (4)</b>
54353	SATA PVC air hose, 2 m long with mini quick coupling, nipple with G 1/4" (female thread), quick coupling nipple for SATA-minijet 4400 B and 3000 B, jet 20 B	<b>61,50 (4)</b>
32987	SATA PVC compressed air hose, transparent, 3 m long with G 1/4" (female thread), mini quick coupling and nipple for SATAjet 20 B	<b>51,60 (4)</b>
134791	SATA Fibre air hose, 2.5 m long with G 1/4" (female thread), mini quick coupling for SATAglyph 1 / 2 / 3 (jet 20 B)	<b>78,60 (4)</b>
<b>Hose pairs for SATA paint pressure tanks and SATA vario top spray</b>		EURO
147520	SATA hose pair 9 x 9 mm, 6 m, with covering fabric netting, G 3/8" and G 1/2" (material), G 1/4" (air) (female thread) for SATA FDG and vario top spray	<b>256,50 (4)</b>
147512	SATA hose pair 9 x 9 mm, 10 m, with covering fabric netting, G 3/8" and G 1/2" (material), G 1/4" (air) (female thread) for SATA FDG and vario top spray	<b>349,40 (4)</b>
147504	SATA hose pair 9 x 9 mm, 15 m, with covering fabric netting, G 3/8" and G 1/2" (material), G 1/4" (air) (female thread) for SATA FDG and vario top spray	<b>473,50 (4)</b>
19869	SATA hose pair 9 x 9 mm, 1.5 m, G 3/8" and G 1/4" (material), G 1/4" (air) (female thread) for SATA mini set 2	<b>80,00 (4)</b>
77834	SATA hose pair 9x9mm, 6m, with covering fabric netting, G3/8" and G1/2" (mat., stainless steel), G1/4" (air) (female) SATA FDG + vario top spray	<b>286,40 (4)</b>
77842	SATA hose pair 9x9mm, 10m, with covering fabric netting, G 3/8" and G 1/2" (mat., stainless steel), G 1/4" (air) (female) SATA FDG+vario top spray	<b>383,60 (4)</b>
77859	SATA hose pair 9x9mm, 15m, with covering fabric netting, G 3/8" and G 1/2" (material, stainless steel), G 1/4" (air) SATA FDG and vario top spray	<b>483,80 (4)</b>
160994	Protective Sleeve for hose pair individual 6m	<b>54,40 (4)</b>
161000	Protective Sleeve for hose pair individual 10m	<b>100,80 (4)</b>
161018	Protective Sleeve for hose pair individual 15m	<b>147,10 (4)</b>
7047	Hose clips (10 pieces) for air hose and material hoses, 9 mm	<b>39,90 (3)</b>
<b>Hose pairs for SATA material pressure tanks and SATAminijet 1000 K</b>		EURO
187708	SATA hose pair 6 x 6 mm, 3 m, G 1/4" (female thread) (material and air) for SATA mini set 2	<b>141,00 (4)</b>
187716	SATA hose pair 6 x 6 mm, 6 m, G 1/4" and G 1/2" (material), G 1/4" (air) (female thread) for SATA FDG / SATA vario top spray	<b>236,40 (4)</b>
187724	SATA hose pair 6 x 6 mm, 10 m, G 1/4" and G 1/2" (material), G 1/4" (air) (female thread) for SATA FDG / SATA vario top spray	<b>310,60 (4)</b>
187732	SATA hose pair 6 x6 mm, 15 m, G 1/4" and G 1/2" (material), G 1/4" (air) (female thread) for SATA FDG / SATA vario top spray	<b>404,60 (4)</b>

<b>Hose pairs and duo hoses for SATA spray mix units</b>		EURO
19984	SATA spray mix hose pair, 6 x 4 mm, 5 m, G 1/4" (female thread) (material and air)	<b>274,40 (4)</b>
19992	SATA spray mix hose pair, 6 x 4 mm, 10 m, G 1/4" (female thread) (material and air)	<b>413,90 (4)</b>
20008	SATA spray mix hose pair, 6 x 4 mm, 15 m, G 1/4" (female thread) (material and air)	<b>544,30 (4)</b>
1006099	SATA spray mix hose pair, 6 x 4 mm, 15 m long, material connection M16x1.5 (female thread), air connection G 1/4" (female thread)	<b>529,40 (4)</b>
1006081	SATA spray mix hose pair, 6 x 4 mm, 10 m long, material connection M16x1.5 (female thread), air connection G 1/4" (female thread)	<b>402,40 (4)</b>
1006106	SATA spray mix hose pair, 6 x 4 mm, 5 m long, material connection M16x1.5 (female thread), air connection G 1/4" (female thread)	<b>270,40 (4)</b>
<b>Air hoses, unassembled</b>		EURO
50252	SATA air hose, blue, 9 mm, 6 m	<b>66,80 (4)</b>
50591	SATA air hose, blue, 9 mm, 10 m	<b>103,10 (4)</b>
50641	SATA air hose, blue, 9 mm, 15 m	<b>163,50 (4)</b>
<b>Material hoses, unassembled</b>		EURO
49155	SATA material hose, 9 mm, 6 m	<b>122,30 (4)</b>
49999	SATA material hose, 9 mm, 10 m	<b>162,40 (4)</b>
50161	SATA material hose, 9 mm, 15 m	<b>240,30 (4)</b>
<b>Components for the quick coupling system</b>		EURO
13508	Nipple 3/8" (male thread) for SATA quick coupling	<b>10,40 (1)</b>
13516	Nipple G 3/8" (female thread) for SATA quick coupling	<b>8,90 (1)</b>
13524	Nipple 1/8" (male thread) for SATA quick coupling	<b>8,90 (1)</b>
13557	Hose olive 9 mm for air quick coupling	<b>7,40 (1)</b>
13565	Connection piece 103/6 f. SATA quick coupling 103/6 f. 6 mm inside dia.	<b>7,40 (1)</b>
13581	SATA quick coupling G 3/8" (female thread)	<b>21,30 (1)</b>
13599	SATA quick coupling G 1/4" (female thread)	<b>21,30 (1)</b>
13607	SATA quick coupling G 3/8" (male thread)	<b>22,40 (1)</b>
13615	SATA quick coupling 1/2" (male thread)	<b>22,40 (1)</b>
13623	SATA quick coupling 1/4" (male thread)	<b>22,40 (1)</b>
13631	SATA quick coupling, red, with hose olive 9 mm	<b>44,30 (1)</b>
13649	SATA quick coupling with hose olive 6 mm	<b>22,40 (1)</b>
53942	Nipple G 1/4 f. GS respirator, UBE + blow-off gun, size 14	<b>9,00 (1)</b>
7237	SATA quick coupling, red with hose olive 9mm and quick coupling nipple G 1/4" (female thread) (each 2 pieces)	<b>88,30 (1)</b>
6981	SATA quick coupling nipple G 1/4" (female thread) (packing unit 5 pieces)	<b>44,70 (1)</b>
1188912	SATA quick coupling nipple G 1/4" (female thread) (pack of 2 pieces)	<b>19,00 (1)</b>



## Paint suits

<b>SATA suit Standard Ladies</b>		EURO
1202613	SATA suit Standard Ladies, size XS, polyester	<b>72,70 (5)</b>
		
1202621	SATA suit Standard Ladies, size S, polyester	<b>72,70 (5)</b>
1202639	SATA suit Standard Ladies, size M, polyester	<b>72,70 (5)</b>
1202647	SATA suit Standard Ladies, size L, polyester	<b>72,70 (5)</b>
<b>SATA suit Standard Men</b>		EURO
1202522	SATA suit Standard Men, size S, polyester	<b>72,70 (5)</b>
		
1202530	SATA suit Standard Men, size M, polyester	<b>72,70 (5)</b>
1204487	SATA suit Standard Men, size L, polyester	<b>72,70 (5)</b>
1202548	SATA suit Standard Men, size XL, polyester	<b>72,70 (5)</b>
1202556	SATA suit Standard Men, size XXL, polyester	<b>72,70 (5)</b>
1202564	SATA suit Standard Men, size 3XL, polyester	<b>72,70 (5)</b>
<b>SATA suit Basic</b>		EURO
1196163	SATA suit Basic, size S, polyester	<b>48,40 (5)</b>
		
1202481	SATA suit Basic, size M, polyester	<b>48,40 (5)</b>
1202499	SATA suit Basic, size L, polyester	<b>48,40 (5)</b>
1202506	SATA suit Basic, size XL, polyester	<b>48,40 (5)</b>
1202514	SATA suit Basic, size XXL, polyester	<b>48,40 (5)</b>

**SATA suit race ladies**

EURO

1154020  
SATA suit race ladies, size XS 98% polyester 2% carbon

**238,80 (5)**

1154038  
SATA suit race ladies, size S 98% polyester 2% carbon

**238,80 (5)**

1154046  
SATA suit race ladies, size M 98% polyester 2% carbon

**238,80 (5)**

1154054  
SATA suit race ladies, size L 98% polyester 2% carbon

**238,80 (5)**

1154062  
SATA suit race ladies, size XL 98% polyester 2% carbon

**238,80 (5)****SATA suit race**

EURO

184267  
SATA suit race, size S (42/44), 98% Polyester, 2% Carbon, MID: DEHBP5658THA

**238,80 (5)**

184275  
SATA suit race, size M (46/48), 98% Polyester, 2% Carbon, MID: DEHBP5658THA

**238,80 (5)**

184283  
SATA suit race, size L (50/52), 98% Polyester, 2% Carbon, MID: DEHBP5658THA

**238,80 (5)**

184291  
SATA suit race, size XL (54/56), 98% Polyester, 2% Carbon, MID: DEHBP5658THA

**238,80 (5)**

184309  
SATA suit race, size XXL (58/60), 98% Polyester, 2% Carbon, MID: DEHBP5658THA








**238,80 (5)**

PREMIUM SPRAY GUNS








SATA



# Merchandising items

Merchandising items	EURO	
235481 SATA gym bag, anthracite	<b>10,60 (6)</b>	
235416 SATA luggage compartment bag, black	<b>19,40 (6)</b>	
235440 SATA travel makeup bag	<b>24,20 (6)</b>	
235507 SATA backpack, black	<b>33,90 (6)</b>	
235465 SATA magnetic car mount for Smartphones	<b>9,50 (6)</b>	
235390 SATA 2-in-1 key ring cable with charging and data transfer function	<b>9,50 (6)</b>	
235432 SATA Powerbank incl. micro-USB-cable and battery	<b>21,30 (6)</b>	

# SATA PRICE LIST 2025

Merchandising items	EURO	
235473 SATA cleaner (mousepad, display and lens)	<b>5,80 (6)</b>	
234849 SATA Zippo lighter with PHASER motif	<b>57,30 (6)</b>	
235499 SATA RPS cup, China white, 340 ml	<b>12,60 (6)</b>	
1197244 SATA key ring, jet X DIGITAL pro	<b>5,30 (6)</b>	
1173294 SATA key ring, SATAjet X 5500 PHASER	<b>4,70 (6)</b>	
1160837 SATA Hoodie, grey, size S, cotton, version Vintage	<b>42,90 (6)</b>	
1160853 SATA Hoodie, grey, size M, cotton, version Vintage	<b>42,90 (6)</b>	
1160861 SATA Hoodie, grey, size L, cotton, version Vintage	<b>42,90 (6)</b>	
1160879 SATA Hoodie, grey, size XL, cotton, version Vintage	<b>42,90 (6)</b>	
1161257 SATA Hoodie, grey, size XXL, cotton, version Vintage	<b>42,90 (6)</b>	
184366 SATA T-shirt, black, size S, 100% cotton	<b>19,40 (6)</b>	

SPRAY GUNS


CUP SYSTEMS

BREATHING PROTECTION

FILTER TECHNOLOGY

ADDITIONAL PRODUCTS

MERCHANDISING ITEMS

Merchandising items	EURO	
184374 SATA T-Shirt, black, size M, 100% cotton	<b>19,40 (6)</b>	
184382 SATA T-Shirt, black, size L, 100% cotton	<b>19,40 (6)</b>	
184390 SATA T-Shirt, black, size XL, 100% cotton	<b>19,40 (6)</b>	
184408 SATA T-Shirt, black, size XXL, 100% cotton	<b>19,40 (6)</b>	
184317 SATA Polo, black, size: S, 100% cotton	<b>29,00 (6)</b>	
184325 SATA Polo, black, size: M, 100% cotton	<b>29,00 (6)</b>	
184333 SATA Polo, black, size: L, 100% cotton	<b>29,00 (6)</b>	
184341 SATA Polo, black, size: XL, 100% cotton	<b>29,00 (6)</b>	
184358 SATA Polo, black, size: XXL, 100% cotton	<b>29,00 (6)</b>	













**SATA**

SATA GmbH & Co. KG  
Domertalstraße 20  
70806 Kornwestheim  
Germany  
Tel. +49 7154 811-200  
Fax +49 7154 811-194  
E-Mail: [export@sata.com](mailto:export@sata.com)  
[www.sata.com](http://www.sata.com)